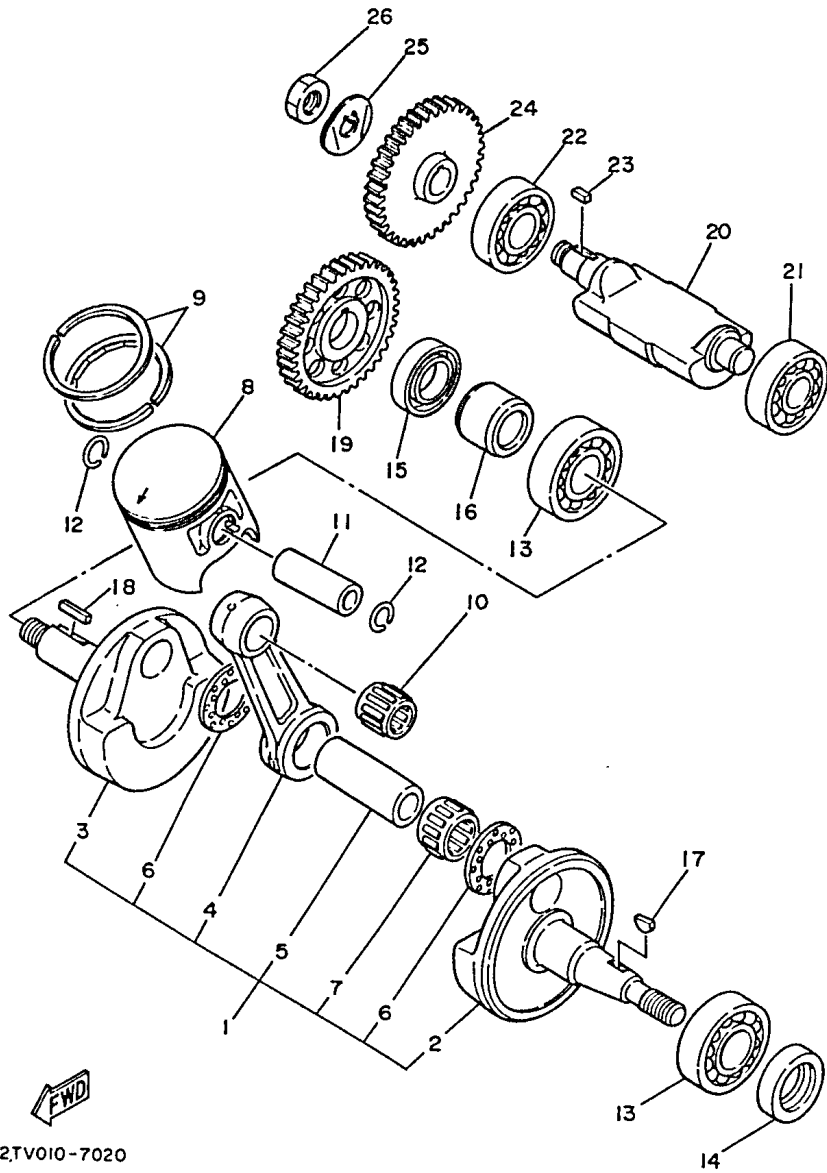


3ET010-8010

Ref #	Part No	Description	Qty	Remarks
1	3CJ-11111-02	HEAD, CYLINDER 1 J	1	
2	90116-08394	BOLT, STUD	5	
3	90176-08040	NUT,CROWN	5	
4	90201-08649	WASHER, PLATE	5	
5	94701-00188	NGK SPARK PLUG BR9ES	1	
6	3ET-11181-00	GASKET, CYLINDER HEAD 1	1	
7	3ET-11311-01	CYLINDER 1	1	
8	2TV-11351-00	GASKET, CYLINDER	1	
9	3BN-15441-00	HOLDER, CLUTCH CABLE	1	
10	90116-08318	BOLT, STUD	2	
11	90116-08388	BOLT, STUD	2	
12	99510-10114	PIN, DOWEL	2	
13	90179-08491	NUT	4	
14	3ET-1131A-00	VALVE 1	1	
15	3BN-1131E-00	HOLDER 1	1	
16	90462-08174	CLAMP(3BN)	1	
17	91316-05012	BOLT (5F7)	1	
18	31K-1131U-00	HOLDER 3	1	
19	93108-23010	OIL SEAL (235X15X64)	1	
20	93210-30640	O-RING	2	
21	2RH-1131M-00	COVER	1	
22	91311-05010	BOLT	2	
23	2RH-1131R-00	CAP, SEAL	1	
24	91316-05012	BOLT (5F7)	2	
25	29L-1132E-00	PULLEY 1	1	
26	97026-06018	BOLT(2UA)	1	
27	92906-06100	P58 WASHER, SPRING	1	
28	92906-06600	P66 WASHER, PLATE	1	
29	3ET-1133E-00	CABLE, PULLEY 1	1	
30	3BN-1133F-00	CABLE, PULLEY 2	1	

DT200RB(1991) - CYLINDER - CRANKSHAFT PISTON

Printed 30/03/2009

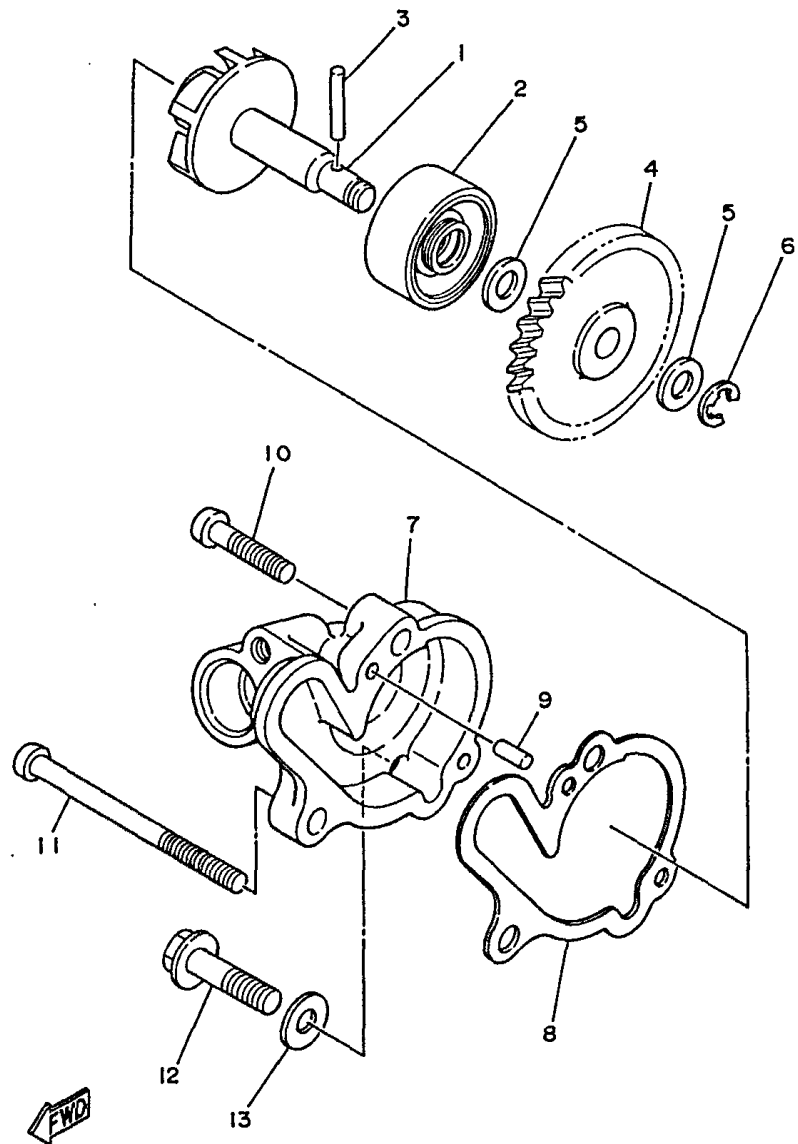


Ref #	Part No	Description	Qty	Remarks
1	2TV-11400-00	CRANKSHAFT ASSY	1	
2	2TV-11412-00	CRANK 1	1	
3	2TV-11422-00	CRANK 2	1	
4	2TV-11651-00	ROD, CONNECTING	1	
5	37F-11681-00	PIN, CRANK 1	1	
6	90209-22257	WASHER	2	
7	93310-522L4	BEARING, CYLINDRICAL	1	
8	3ET-11631-01-95	PISTON(STD)**USES 3ET-11610-01	1	
8	3ET-11635-01	PSTN(025)** USES 3ET-11610-11	1	AP
8	3ET-11636-01	PSTN(05) **USES 3ET-11610-21	1	AP
9	3ET-11610-01	RING(STD) **FOR -01/02 PISTON	1	
9	3ET-11610-11	RING(025) **FOR-01/02 PISTON	1	AP
9	3ET-11610-21	RING(050) **FOR-01/02 PISTON	1	AP
10	93310-316C9	BEARING, CYLINDRICAL	1	
11	4H7-11633-00	PIN, PISTON	1	
12	93450-17129	CIRCLIP	2	
13	93306-30556	BEARING	2	
14	93102-25331	OIL SEAL (25X44X8)	1	
15	93103-32099	OIL SEAL (32X44X8-531	1	
16	90387-202T9	COLLAR(2RH)	1	
17	90280-03045	KEY, WOODRUFF (1HX)	1	
18	90282-05047	KEY, STRAIGHT	1	
19	10V-11536-01	GEAR, DRIVE (43T)	1	
20	2TV-11454-00	WEIGHT 1	1	
21	93306-30210	P97 BEARING ATVMR 87001	1	
22	93306-20335	BEARING	1	
23	90282-05058	KEY, STRAIGHT	1	
24	55K-11530-00	BALANCER WEIGHT GEAR COMP	1	
25	90215-12272	WASHER, LOCK(2RH)	1	
26	90215-12272	WASHER, LOCK(2RH)	1	

2TV010-7020

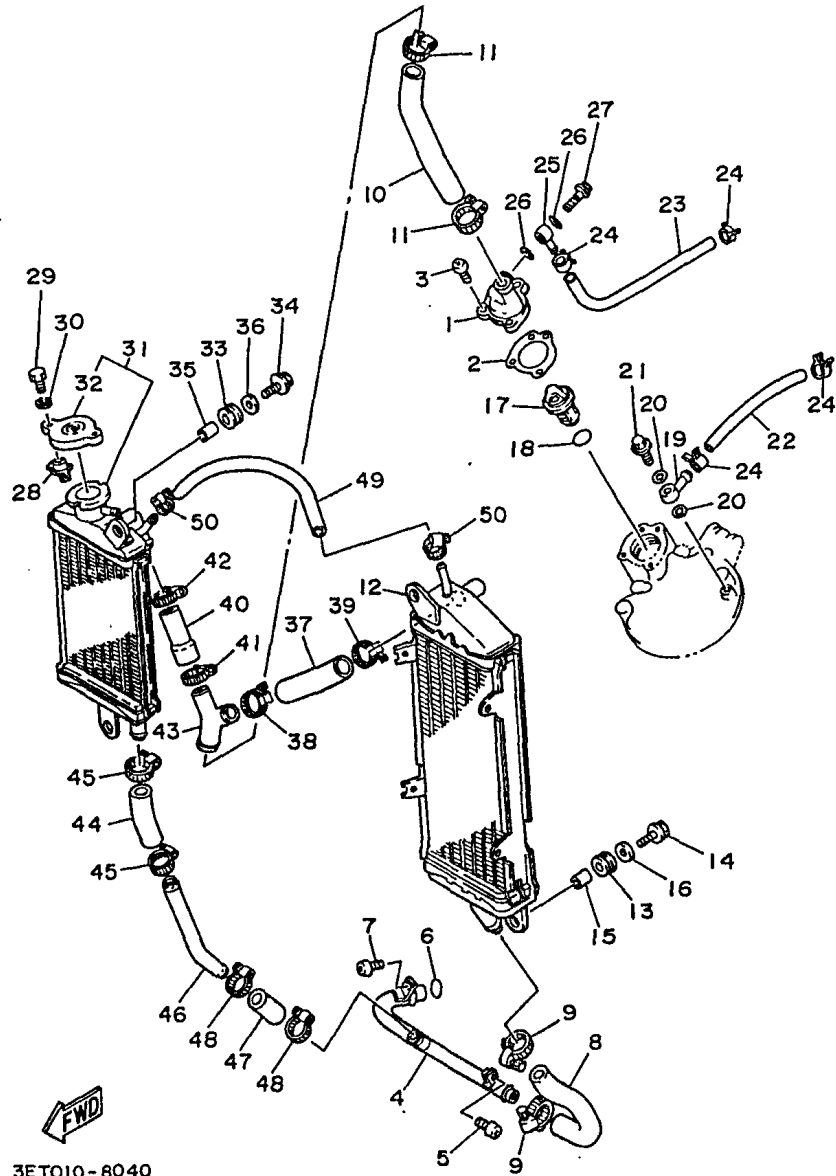
DT200RB(1991) - CYLINDER - WATER PUMP

Printed 30/03/2009



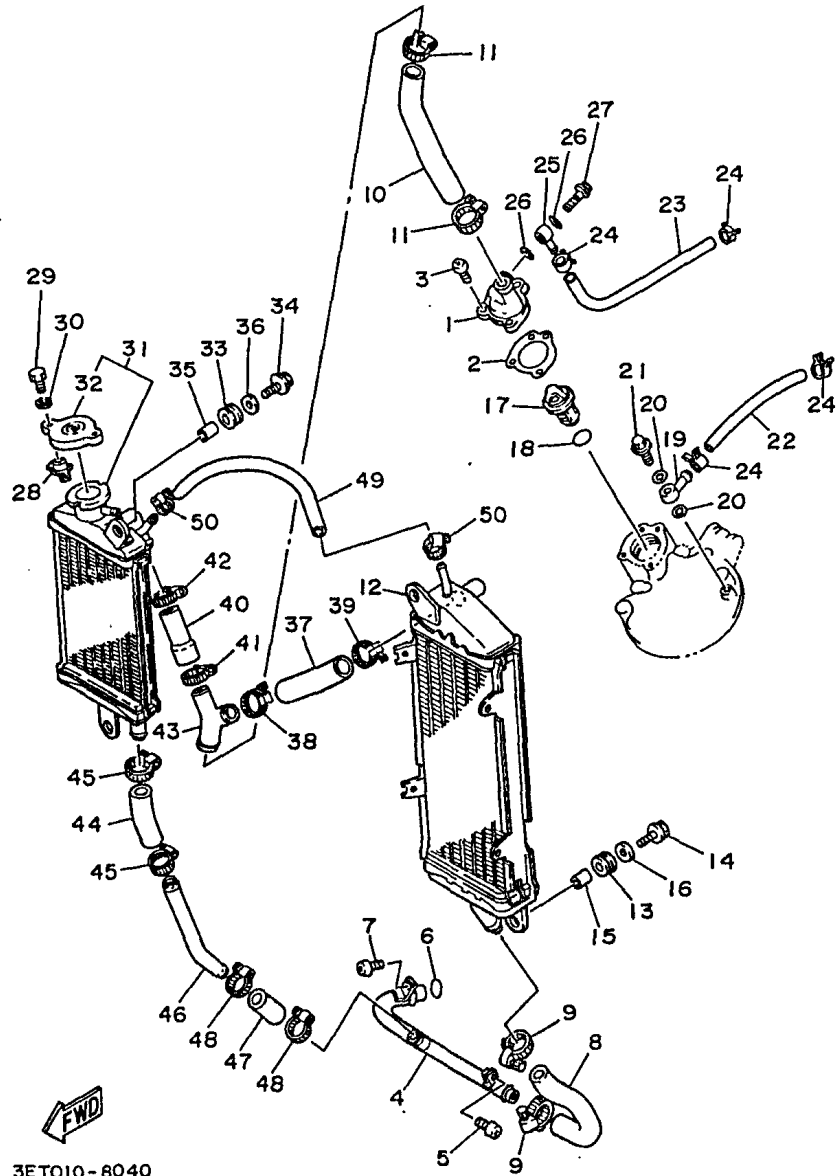
Ref #	Part No	Description	Qty	Remarks
1	36F-12450-00	IMPELLER SHAFT ASSY	1	
2	93103-10147	OIL SEAL (36F)	1	
3	93603-22028	PIN, DOWEL	1	
4	3ET-12459-00	GEAR, IMPELLER SHAFT	1	
5	90201-08512	WASHER, PLATE	2	
6	99080-07600	CIRCLIP P82	1	
7	3BN-12422-00	COVER, HOUSING	1	
8	3BN-12428-00	GASKET, HOUSING COVER 2	1	
9	93604-10011	PIN, DOWEL	2	
10	92506-06025	SCREW, PAN HEAD	1	
11	92506-06065	SCREW, PAN HEAD	1	
12	95816-06025	BOLT, FLANGE (20X)	1	
13	90430-06166	GASKET	1	

3BN300-8030



3ET010-8040

Ref #	Part No	Description	Qty	Remarks
1	3BN-12469-00	JOINT 1	1	
2	3BN-12414-00	GASKET, COVER	1	
3	98516-06020	SCREW PAN HEAD J	3	
4	3ET-12481-00	PIPE 1	1	
5	92506-06012	SCREW, PAN HEAD	1	
6	93210-12327	B89 O-RING	1	
7	92506-06012	SCREW, PAN HEAD	1	
8	3BN-12482-00	PIPE 2	1	
9	90450-22017	HOSE CLAMP ASSY (2LJ)	2	
10	3ET-12483-00	PIPE 3	1	
11	90450-28014	HOSE CLAMP ASSY	2	
12	3ET-12460-00	RADIATOR ASSY	1	
13	90480-15363	GROMMET	2	
14	91001-06020	BOLT FLANGE (1KT)	2	
15	90387-07390	443 COLLAR (498)	2	
16	90201-06072	WASHER, PLATE	2	
17	34X-12411-00	THERMOSTAT	1	
18	93210-27194	O-RING	1	
19	90405-06044	UNION(2YY) J	1	
20	90430-06166	GASKET	2	
21	90401-06115	BOLT, UNION(1HK)	1	
22	2RH-12484-00	PIPE 4	1	
23	3ET-12482-00	PIPE 2	1	
24	90467-10035	P47 CLIP (J10)	4	
25	90405-06044	UNION(2YY) J	1	
26	90430-06166	GASKET	1	
27	90401-06115	BOLT, UNION(1HK)	1	
28	1KT-12437-00	STOPPER	1	
29	97006-05012	BOLT (1KT)	1	
30	92906-05100	P55 WASHER, SPRING	1	
31	3ET-1240A-00	RADIATOR ASSY 2	1	
32	1KT-12462-00	CAP, RADIATOR	1	
33	90480-15363	GROMMET	2	
34	91001-06020	BOLT FLANGE (1KT)	2	
35	90387-07390	443 COLLAR (498)	2	
36	90201-06072	WASHER, PLATE	2	
37	3ET-12484-00	PIPE 4	1	
38	90450-28014	HOSE CLAMP ASSY	1	
39	90450-25037	HOSE CLAMP ASSY	1	
40	3ET-12485-00	PIPE 5	1	
41	90450-28014	HOSE CLAMP ASSY	1	
42	90450-25037	HOSE CLAMP ASSY	1	
43	24X-12469-00	JOINT 1	1	
44	3ET-12476-00	PIPE 6	1	
45	90450-22017	HOSE CLAMP ASSY (2LJ)	2	

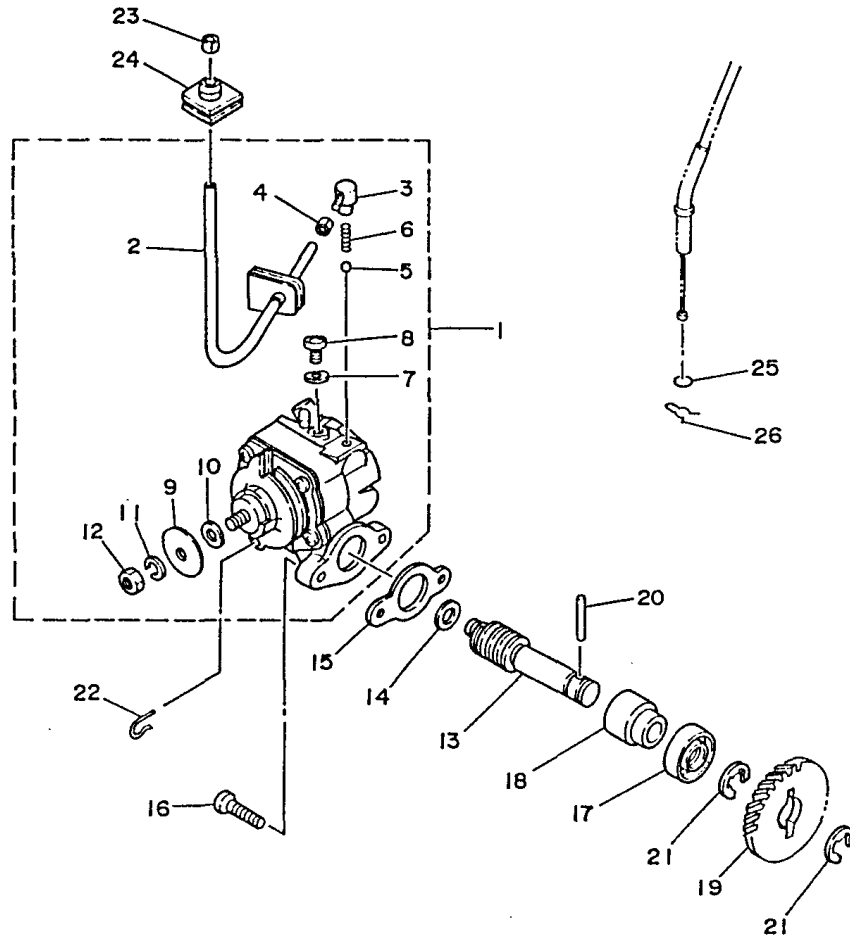


Ref #	Part No	Description	Qty	Remarks
46	3ET-12477-00	PIPE 7	1	
47	3ET-1248A-00	PIPE 8	1	
48	90450-22017	HOSE CLAMP ASSY (2LJ)	2	
49	3ET-1248E-00	PIPE 9	1	
50	90450-17036	HOSE CLAMP ASSY (3ET)	2	

3ET010-8040

DT200RB(1991) - CYLINDER - OIL PUMP

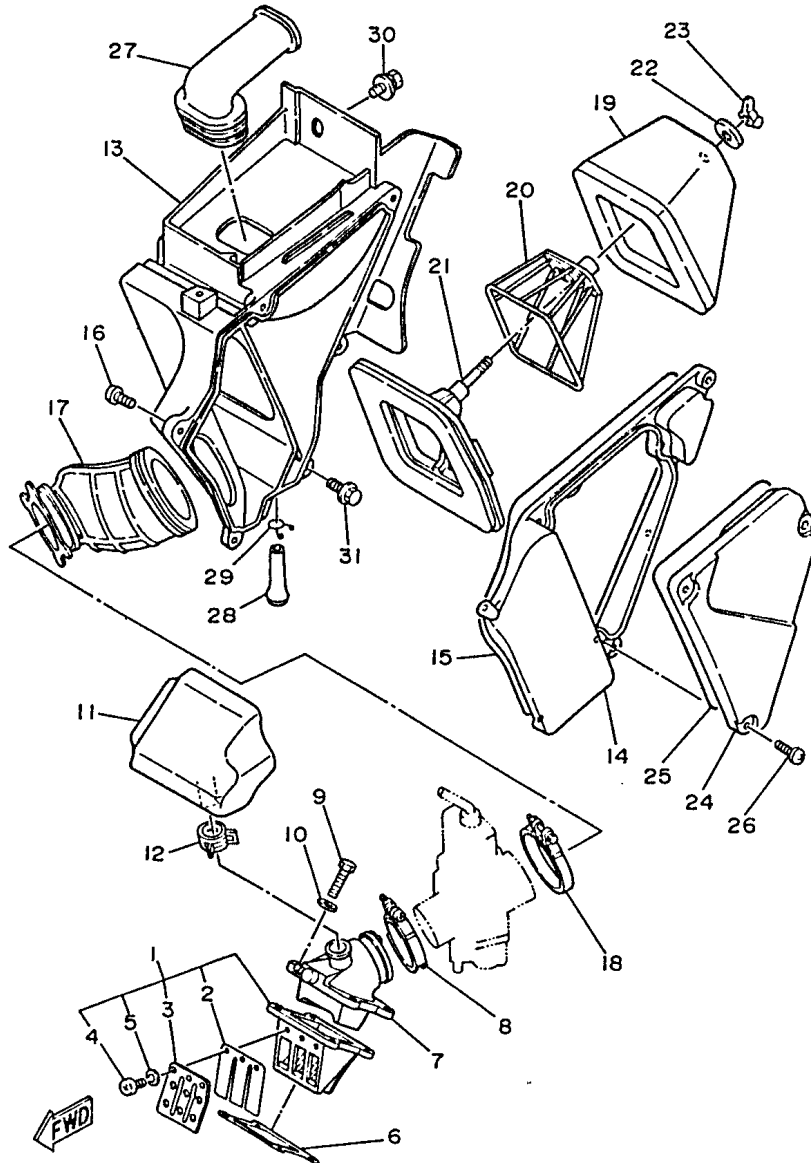
Printed 30/03/2009



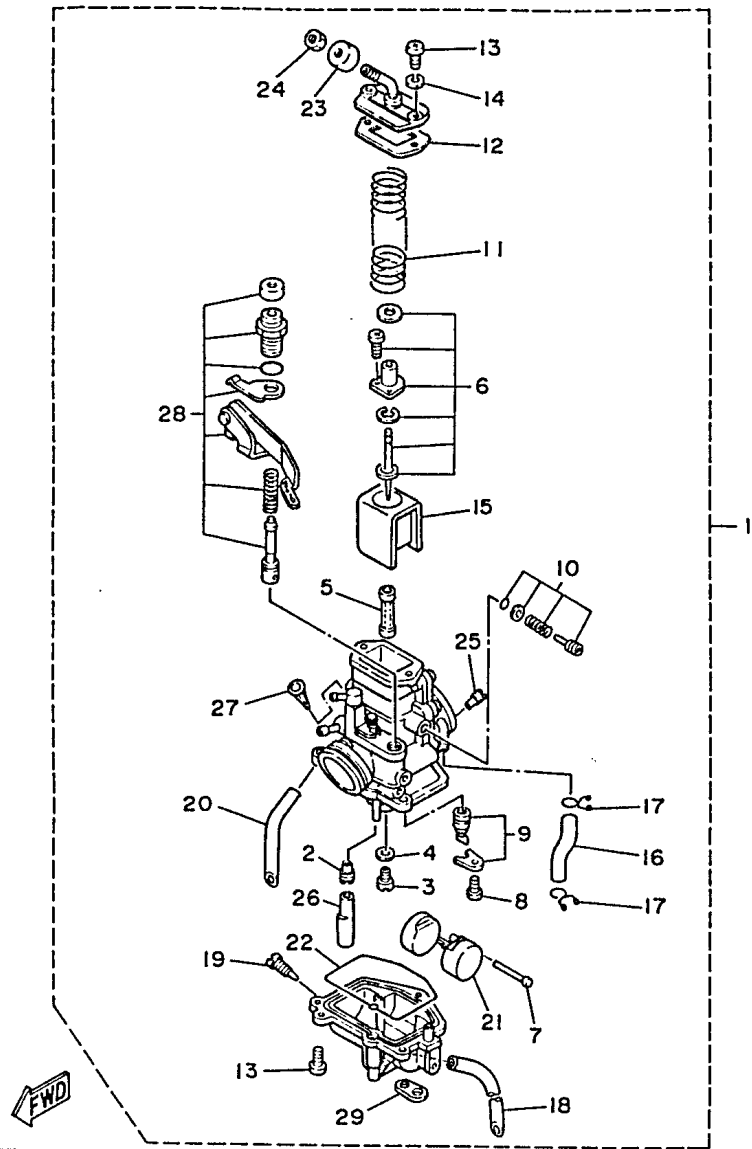
Ref #	Part No	Description	Qty	Remarks
1	3ET-13101-01	OIL PUMP ASSY	1	
2	90445-057F9	HOSE(2YY)	1	
3	353-13552-01	NOZZLE	2	
4	90468-02033	CLIP	1	
5	93505-32002	BALL	1	
6	90501-02018	462 SPRING, COMPRESSION	1	
7	90430-04004	GASKET	1	
8	98906-04006	SCREW, BIND	1	
9	137-13138-01	PLATE, ADJUSTING	1	
10	137-13137-00-10	SHIM, (10T)	1	UN
11	92901-05100	598 WASHER, SPRING	1	
12	95303-05600	NUT	1	
13	55K-13175-01	SHAFT, WORM	1	
14	90201-08624	WASHER, PLATE	1	
15	8Y0-13116-01	GASKET, PUMP CASE	1	
16	98501-05016	B96 SCREW, PAN HEAD 702	2	
17	93101-10090	OIL SEAL	1	
18	1E7-13176-00	METAL, WORM SHAFT OUTER	1	
19	37F-13178-00	GEAR, PUMP DRIVE	1	
20	93603-22028	PIN, DOWEL	1	
21	93430-08036	CIRCLIP	2	
22	363-13133-01	CLIP	1	
23	90468-02033	CLIP	1	
24	3BN-13174-00	HOLDER, OIL PIPE	1	
25	93210-07100	O-RING	1	
26	90468-08086	CIRCLIP	1	



3ET010-8050



Ref #	Part No	Description	Qty	Remarks
1	3BN-13610-00	REED VALVE ASSY	1	
2	2TV-13613-00	REED, VALVE	2	
3	3BN-13610-00	REED VALVE ASSY	2	
4	98580-03008	SCREW, PAN HEAD 488	6	
5	92990-03100	WASHER, SPRING	6	
6	1KT-13621-00	GASKET, VALVE SEAT	1	
7	3ET-13565-00	JOINT, CARBURETOR	1	
8	90450-44046	HOSE CLAMP ASSY	1	
9	97001-06025	P58 BOLT (53L)	4	
10	92906-06600	P66 WASHER, PLATE	4	
11	3ET-13581-00	CHAMBER, AIR	1	
12	90467-20050	CLIP	1	
13	3BN-14411-00	CASE, AIR CLEANER 1	1	
14	3BN-14421-00	CASE, AIR CLEANER 2	1	
15	3BN-14452-00	SEAL	1	
16	97706-50520	P58 SCREW, TAPPING	6	
17	3ET-14453-00	JOINT, AIR CLEANER 1	1	
18	1AE-13575-00	BAND	1	
19	3BN-14451-01	ELEMENT, AIR CLEANER	1	
20	3BN-14458-00	GUIDE	1	
21	3BN-14459-00	HOLDER, GUIDE	1	
22	90209-06096	WASHER	1	
23	90175-06012	443 NUT, WING	1	
24	3BN-14412-00	CAP, CLEANER CASE 1	1	
25	3BN-14467-00	SEAL	1	
26	90154-05011	SCREW, BINDING	3	
27	3ET-14437-00	DUCT	1	
28	34X-1443E-00	PIPE, DRAIN	1	
29	90467-11102	CLIP	1	
30	90119-06056	BOLT, WITH WASHER	1	
31	90119-06123	BOLT, WITH WASHER	1	

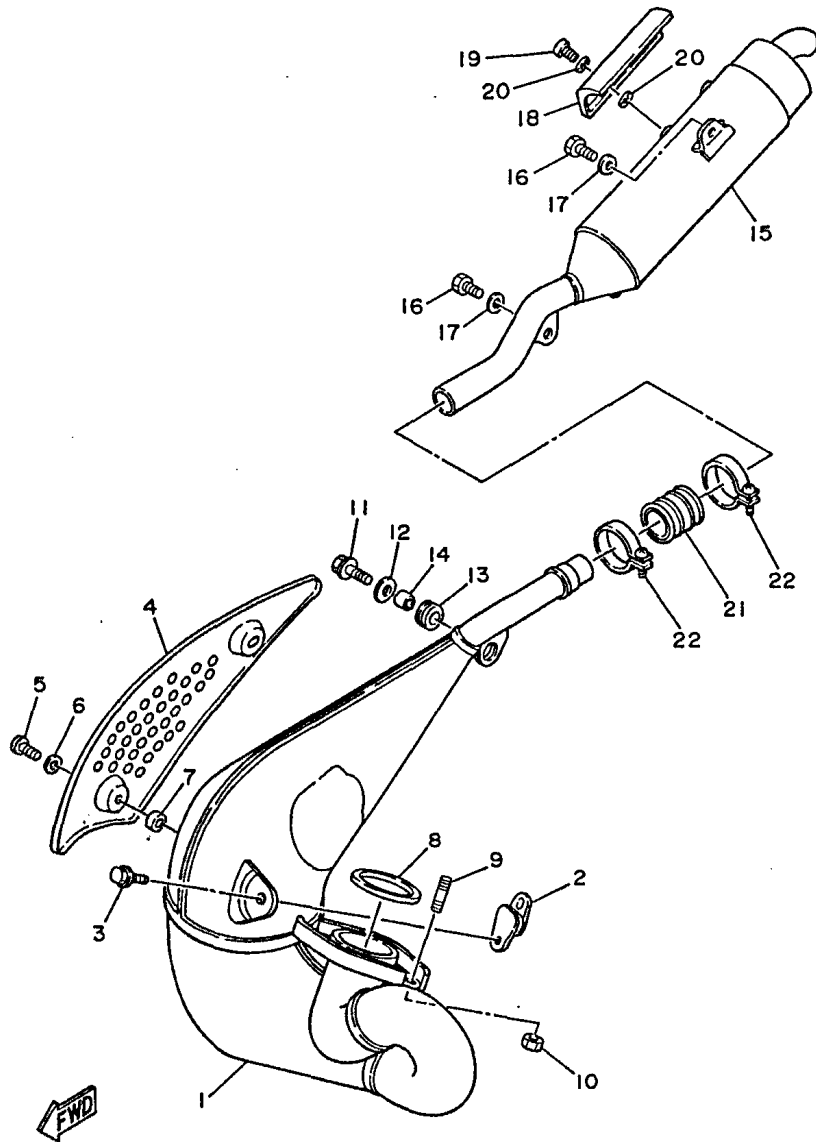


3ET010-8070

Ref #	Part No	Description	Qty	Remarks
1	2YY-14101-00	CARBURETOR ASSY 1	1	
2	193-14142-25-A0	JET, PILOT (#25)	1	
3	137-14143-30	JET, MAIN (#150)	1	
4	137-14153-00	WASHER, MAIN JET	1	
5	3ET-14141-42	NOZZLE,P2(-44 = P-4)	1	
6	3ET-1490J-00	NEEDLE SET	1	
7	537-14186-00	PIN, FLOAT	1	
8	98580-04008	SCREW, PAN HEAD	1	
9	2MA-14107-28	NEEDLE VALVE SET	1	
10	3ET-14103-00	THROTTLE SCREW SET	1	
11	1KT-14131-00	SPRING, THROTTLE VALVE	1	
12	1KT-14198-00	GASKET	1	
13	98503-04014	B89 SCREW, PAN HEAD	5	
14	92902-04100	P58 WASHER, SPRING	2	
15	2TV-14112-25	VALVE, THROTTLE 1	1	
16	90445-07747	HOSE	1	
17	8A7-14139-00	CLIP, PIPE	2	
18	3X3-14197-00	PIPE	1	
19	12R-14191-00	PLUG, DRAIN	1	
20	1KT-14197-01	PIPE	1	
21	2MA-14185-00	FLOAT	1	
22	1KT-14147-00	O-RING	1	
23	3X3-14169-00	CAP	1	
24	127-14161-00	NUT, CABLE ADJUSTING	1	
25	239-14172-14	JET PILOT,AIR (#14)	1	
26	3ET-14153-00	PIPE	1	
27	1KT-14994-00	NET, FILTER	1	
28	3ET-1410A-00	STARTER SET	1	
29	500-14146-00	PLATE	1	

DT200RB(1991) - CYLINDER - EXHAUST

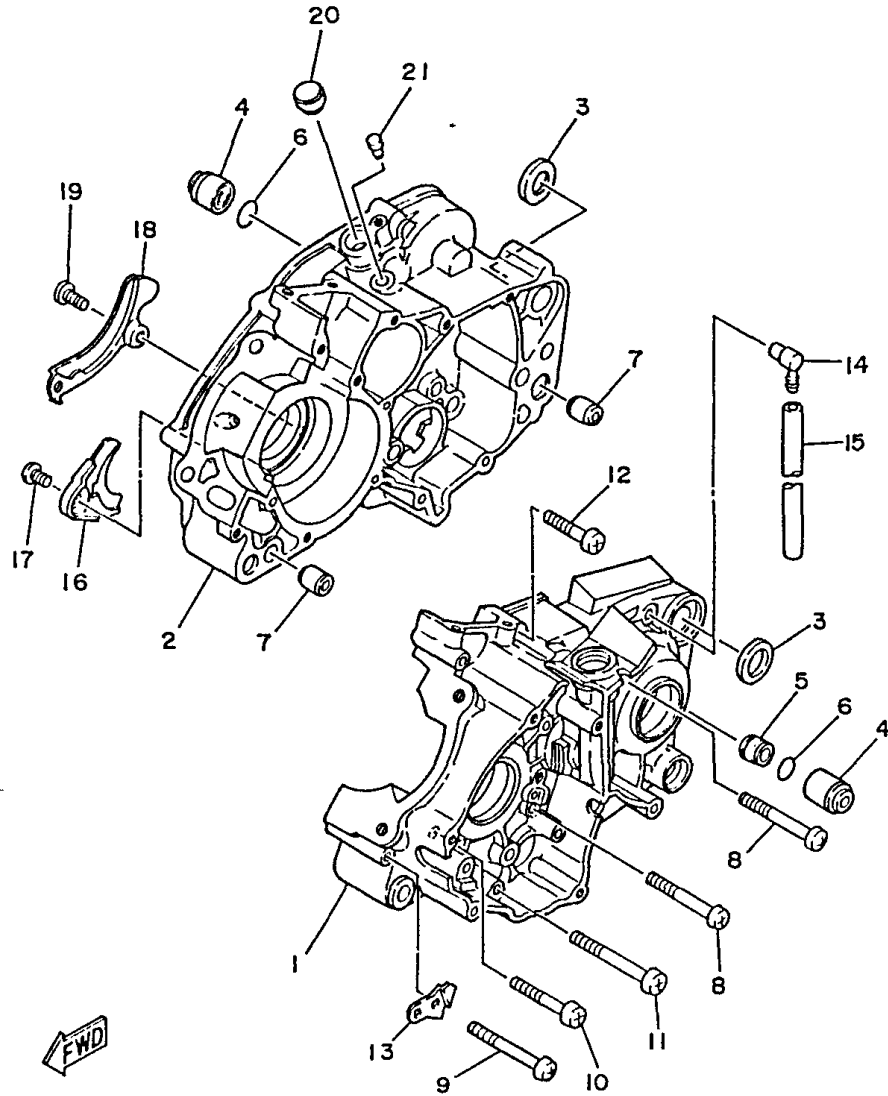
Printed 30/03/2009



Ref #	Part No	Description	Qty	Remarks
1	2YY-14610-00	EXHAUST PIPE ASSY 1	1	
2	565-14771-00	STAY, MUFFLER 1	1	
3	95816-06012	BOLT, FLANGE	2	
4	3BN-14718-00	PROTECTOR, MUFFLER 1	1	
5	98906-06010	P54 SCREW, BIND (844)	2	
6	90202-05187	WASHER, PLATE	2	
7	90202-05188	WASHER, PLATE(3MT) J	2	
8	152-14613-00	GASKET,EXHAUST PIPE	1	
9	90116-08042	BOLT, STUD	2	
10	90179-08270	NUT	2	
11	95816-06025	BOLT, FLANGE (20X)	1	
12	90201-060A3	WASHER, PLATE	1	
13	90480-18411	GROMMET	1	
14	90387-105L0	COLLAR	1	
15	152-14613-00	GASKET,EXHAUST PIPE	1	
16	90109-085E2	BOLT	2	
17	90201-081H4	453 WASHER, PLATE (36A)	2	
18	3BN-14758-00	PROTECTOR, SILENCER	1	
19	98906-06008	SCREW, BIND (8G6)	2	
20	90202-05187	WASHER, PLATE	4	
21	1W2-14714-00	GASKET, MUFFLER	1	
22	90460-37026	CLAMP, HOSE	2	

DT200RB(1991) - CYLINDER - CRANKCASE

Printed 30/03/2009

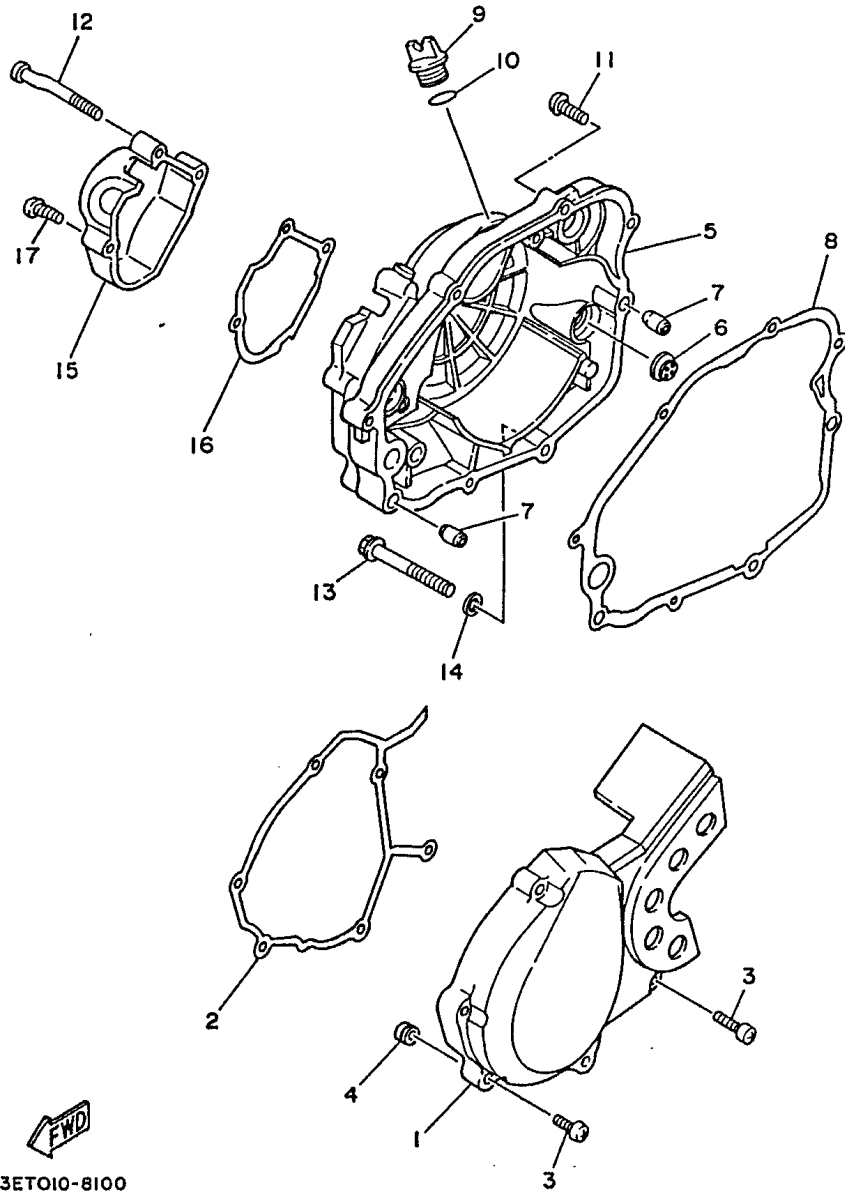


3ET010-8090

Ref #	Part No	Description	Qty	Remarks
1	3ET-15111-02	CRANKCASE 1 J	1	
2	3ET-15121-01	CRANKCASE 2 J	1	
3	90201-170M2	WASHER, PLATE	2	
4	328-15316-00	DAMPER, ENGINE MOUNT 1	2	
5	3BN-15317-00	SPACER, ENGINE MOUNT	1	
6	93210-12154	O-RING	2	
7	99510-12016	PIN, DOWEL	2	
8	98501-06060	SCREW PAN HEAD J	4	
9	98501-06065	SCREW PAN HEAD J	1	
10	98501-06050	SCREW, PAN HEAD(1EGJ	5	
11	98501-06070	SCREW PAN HEAD J	2	
12	98501-06040	SCREW PAN HEAD J	1	
13	3BN-15199-00	BRACKET	1	
14	583-15371-00	BREATHER	1	
15	90446-07321	HOSE(2RH) J	1	
16	37F-15128-00	HOLDER	1	
17	92501-08010	SCREW, PAN HEAD	1	
18	2RH-15492-00	COVER	1	
19	98501-06012	SCREW PAN HEAD	2	
20	90338-16029	PLUG (12Y)	1	
21	90338-05038	PLUG	1	

DT200RB(1991) - CYLINDER - CRANKCASE COVER 1

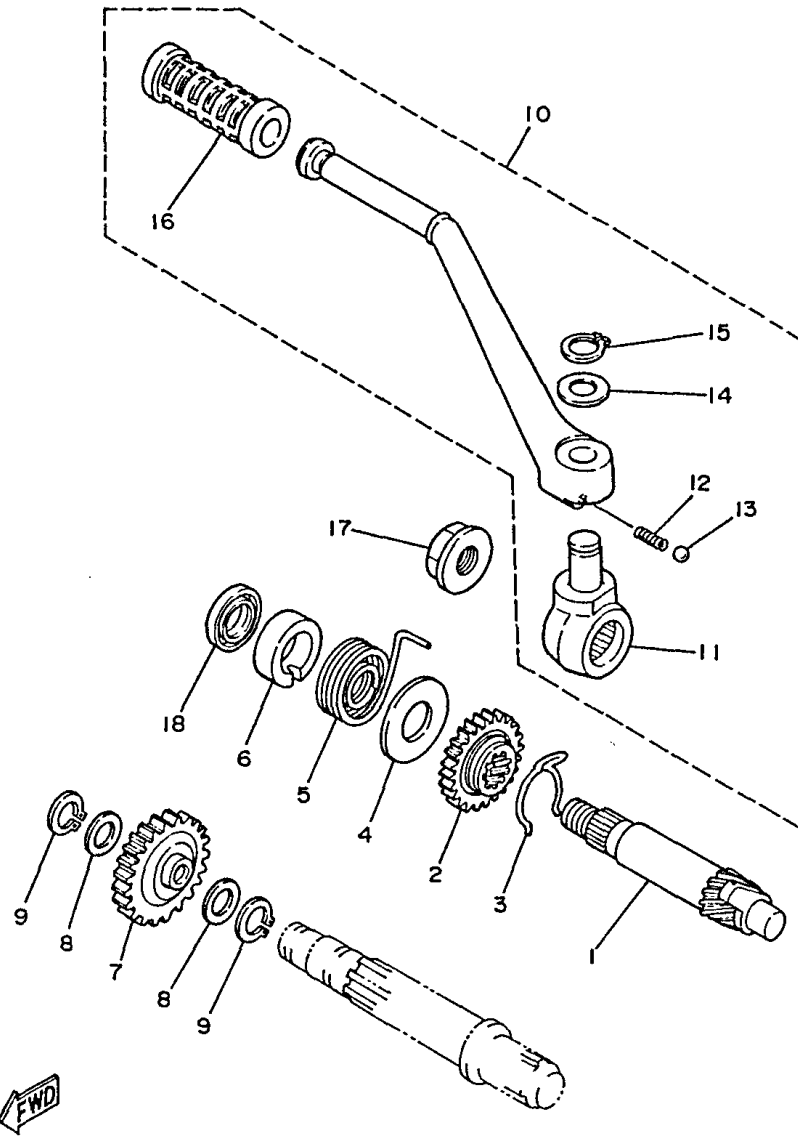
Printed 30/03/2009



Ref #	Part No	Description	Qty	Remarks
1	3BN-15411-01	COVER,CRANKCASE 1	1	
2	3ET-15379-00	SEAL, CRANKCASE	1	
3	90157-06096	SCREW, PAN HEAD(2JK)	6	
4	90480-09481	GROMMET(2JK)	6	
5	3BN-15421-01	COVER, CRANKCASE 2	1	
6	3Y1-15361-00	GAUGE, LEVEL	1	
7	99530-10014	PIN, DOWEL	2	
8	3BN-15451-00	GASKET,CRANKCASE	1	
9	1RG-15363-00	PLUG,OIL (P66)	1	
10	93210-19123	O-RING	1	
11	92516-06030	SCREW, PAN HEAD	5	
12	98506-06040	SCREW PAN HEAD J	1	
13	95816-08080	BOLT, STUD (33M) J	1	
14	90201-08087	WASHER, PLATE	1	
15	3BN-15416-00	COVER, OIL PUMP	1	
16	3BN-15456-00	GASKET, OIL PUMP COVER 1	1	
17	92516-06030	SCREW, PAN HEAD	3	

DT200RB(1991) - CYLINDER - STARTER

Printed 30/03/2009



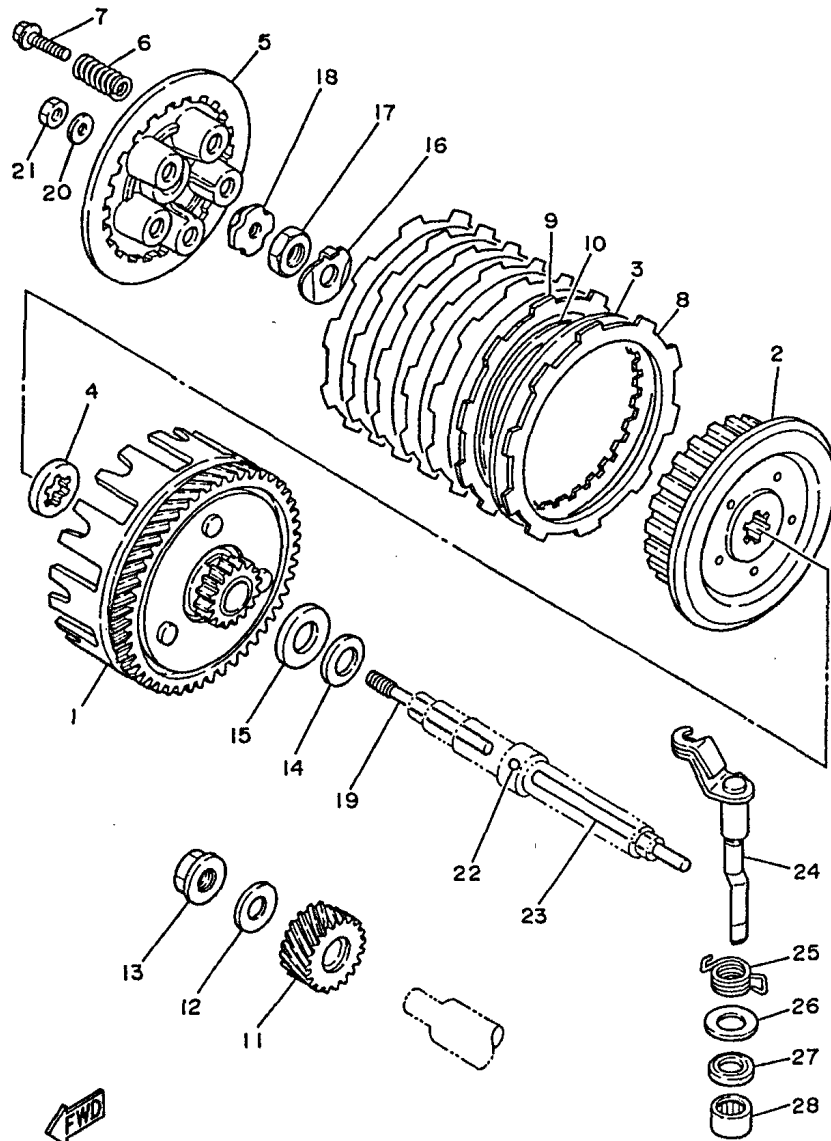
Ref #	Part No	Description	Qty	Remarks
1	10V-15660-00	KICK AXLE ASSY	1	
2	10V-15641-00	GEAR, KICK (23T)	1	
3	90468-26048	CLIP	1	
4	90201-200J7	WASHER, PLATE	1	
5	90508-26667	SPRING, TORSION	1	
6	10V-15666-00	SPACER	1	
7	10V-15651-00	GEAR, KICK IDLE (29T)	1	
8	90201-154E8	WASHER, PLATE (T=10)	2	
9	93440-15012	CIRCLIP	2	
10	3BN-15620-00	KICK CRANK (10V-15620-00)	1	
11	10V-15621-01	BOSS, KICK CRANK	1	
12	90501-12081	SPRING, COMPRESSION	1	
13	93507-32031	BALL	1	
14	90201-12631	P54 WASHER, PLATE	1	
15	93430-08042	CIRCLIP (10V)	1	
16	156-15618-01	COVER, KICK LEVER	1	
17	90179-12374	NUT	1	
18	93102-20309	OIL SEAL (20X30X45)	1	



3BN300-8110

DT200RB(1991) - CYLINDER - CLUTCH

Printed 30/03/2009

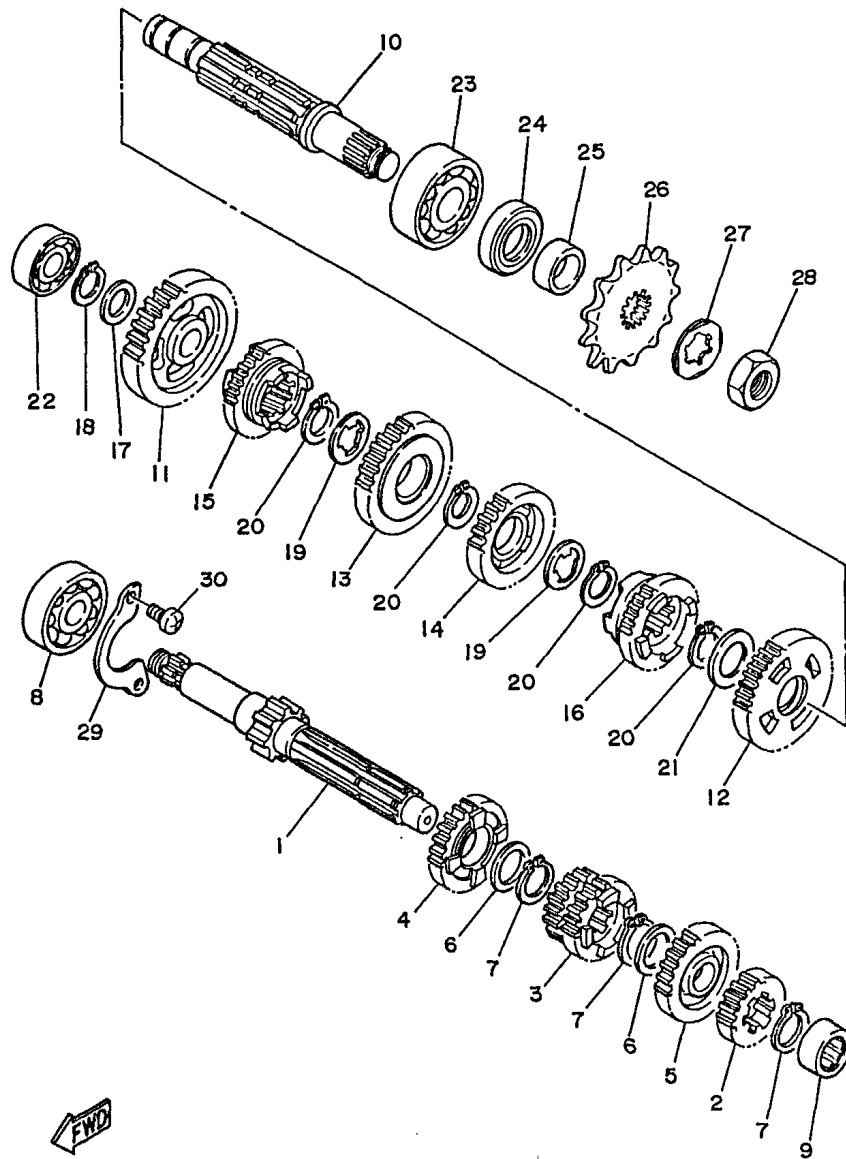


Ref #	Part No	Description	Qty	Remarks
1	3ET-16150-01	DRUM, FOR "W&A" ADD 90201-180P2	1	
2	2TV-16371-00	BOSS, CLUTCH	1	
3	1V1-16324-00	PLATE, CLUTCH 1	6	
4	2TV-16154-00	PLATE, THRUST 1	1	
5	37F-16351-00	PLATE, PRESSURE 1	1	
6	90501-20568	SPRING, COMPRESSION	5	
7	90119-05001	BOLT, WITH WASHER	5	
8	21V-16321-00	PLATE, FRICTION	6	
9	1HX-16331-00	PLATE, FRICTION 2	1	
10	3BN-16383-00	SPRING, CLUTCH BOSS	1	
11	37F-16111-00	GEAR, PRIMARY DRIVE	1	
12	90201-120E8	WASHER, PLATE	1	
13	90179-12244	NUT (353)	1	
14	90208-18046	WASHER, CONICAL SPRING	1	
15	90201-18092	WASHER, PLATE	1	
16	90215-12278	WASHER, LOCK(3ET)	1	
17	90170-12370	NUT	1	
18	30X-16358-00	PLATE, PUSH	1	
19	1W1-16356-01	ROD, PUSH 1	1	
20	92901-06200	WASHER	1	
21	95303-06600	B99 NUT P57	1	
22	93503-16010	C10 BALL	1	
23	3R1-16357-00	ROD, PUSH 2	1	
24	3BN-16380-00	PUSH LEVER ASSY	1	
25	90508-18765	SPRING, TORSION(2WG)	1	
26	90201-14217	WASHER, PLATE	1	
27	93104-14004	OIL SEAL (14X25X5-137)	1	
28	93315-21429	BEARING	1	

3BN300-8120

DT200RB(1991) - CYLINDER - TRANSMISSION

Printed 30/03/2009

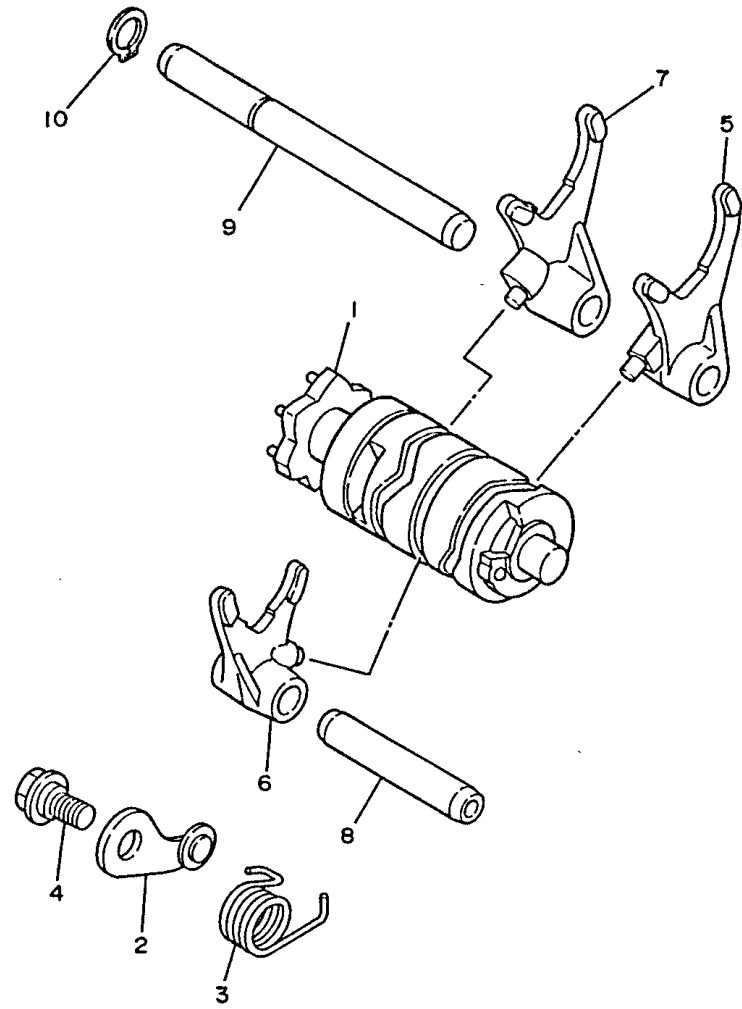


Ref #	Part No	Description	Qty	Remarks
1	3ET-17411-00	AXLE, MAIN (12T)	1	
2	3BN-17121-00	GEAR, 2ND PINION (16T)	1	
3	3BN-17131-01	GEAR, 3RD/4TH PINION (17T/21T)	1	
4	3BN-17151-01	GEAR, 5TH PINION (23T)	1	
5	3BN-17161-01	GEAR, 6TH PINION (22T)	1	
6	90201-20266	WASHER, PLATE (T=10)	2	
7	93410-20038	CIRCLIP	3	
8	93306-20431	BEARING	1	
9	93311-31567	BEARING, CYLINDRICAL (2TV)	1	
10	3BN-17421-00	AXLE, DRIVE	1	
11	3ET-17211-00	GEAR, 1ST WHEEL (33T)	1	
12	3BN-17221-00	GEAR, 2ND WHEEL (30T)	1	
13	3BN-17231-00	GEAR, 3RD WHEEL (24T)	1	
14	2RH-17241-00	GEAR, 4TH WHEEL (24T)	1	
15	3BN-17251-01	GEAR, 5TH WHEEL (22T)	1	
16	3BN-17261-01	GEAR, 6TH WHEEL (18T)	1	
17	90201-154E8	WASHER, PLATE (T=10)	1	
18	99009-15400	CIRCLIP	1	
19	90209-18135	WASHER	2	
20	93410-22039	CIRCLIP	4	
21	90201-22555	WASHER, PLATE	1	
22	93306-20201	BEARING (B6202)	1	
23	93306-30438	BEARING(2XJ) J	1	
24	93102-26042	OIL SEAL	1	
25	90387-205U0	COLLAR(3BN)	1	
26	9383A-13031	SPROCKET, DRIVE (2HG-13)	1	
27	90215-20261	WASHER, LOCK	1	
28	90179-16589	NUT(2YY)	1	
29	55K-17471-00	PLATE, COVER	1	
30	98501-06012	SCREW PAN HEAD	2	

3BN300-8131

DT200RB(1991) - CYLINDER - SHIFT CAM FORK

Printed 30/03/2009



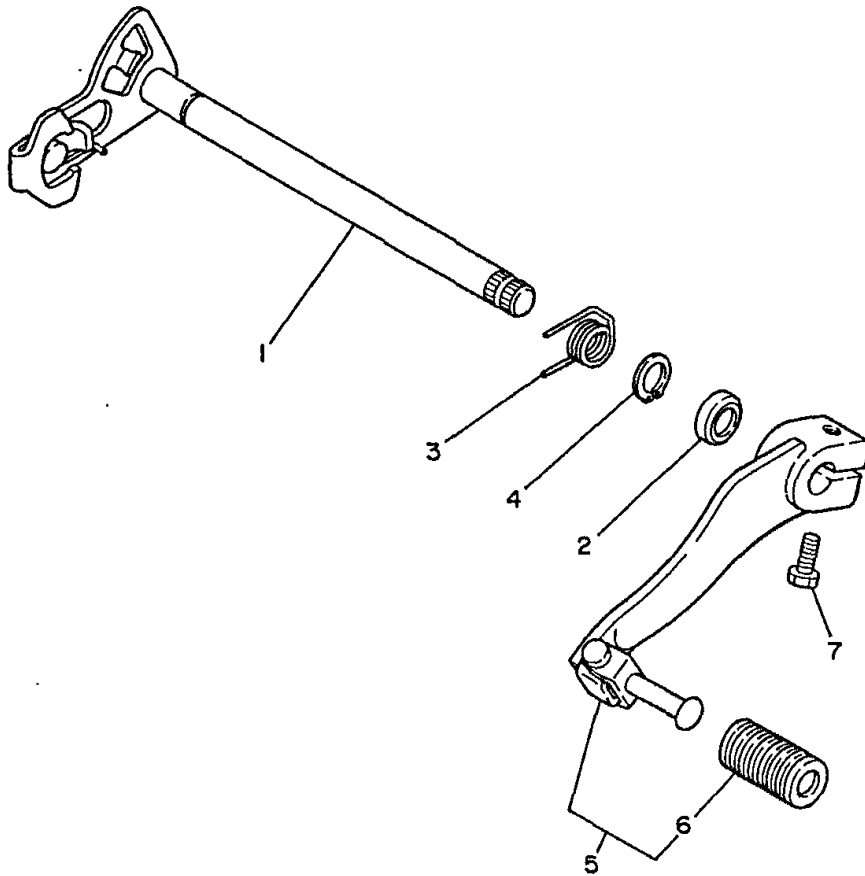
Ref #	Part No	Description	Qty	Remarks
1	3BN-18540-00	SHIFT CAM ASSY	1	
2	3BN-18140-00	STOPPER LEVER ASSY	1	
3	90508-26561	SPRING, TORSION	1	
4	90109-063F7	BOLT (1AR)	1	
5	55K-18511-01	FORK, SHIFT 1	1	
6	2RH-18512-00	FORK, SHIFT 2	1	
7	55K-18513-00	FORK, SHIFT 3	1	
8	55K-18531-00	BAR, SHIFT FORK GUIDE 1	1	
9	3BN-18535-00	BAR, SHIFT FORK GUIDE 2	1	
10	99009-10400	CIRCLIP	1	



3BN300-8150

DT200RB(1991) - CYLINDER - SHIFTER

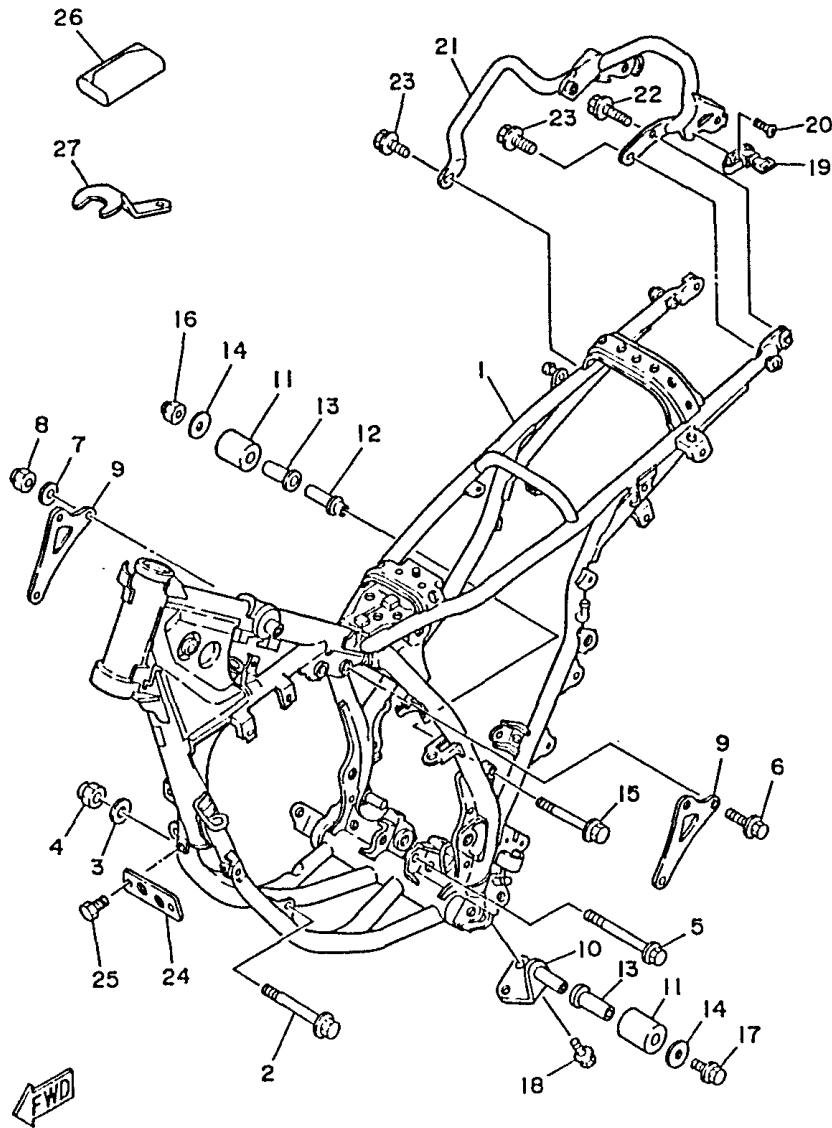
Printed 30/03/2009



Ref #	Part No	Description	Qty	Remarks
1	10W-18101-02	SHIFT SHAFT ASSY J	1	
2	93101-12060	OIL SEAL (12X21X4)	1	
3	90508-32553	SPRING, TORSION	1	
4	99006-10600	CIRCLIP	1	
5	3BN-18110-00	SHIFT PEDAL ASSY	1	
6	1W6-18113-00	COVER, SHIFT PEDAL	1	
7	97016-06020	BOLT (84J)	1	



3BN300-8160

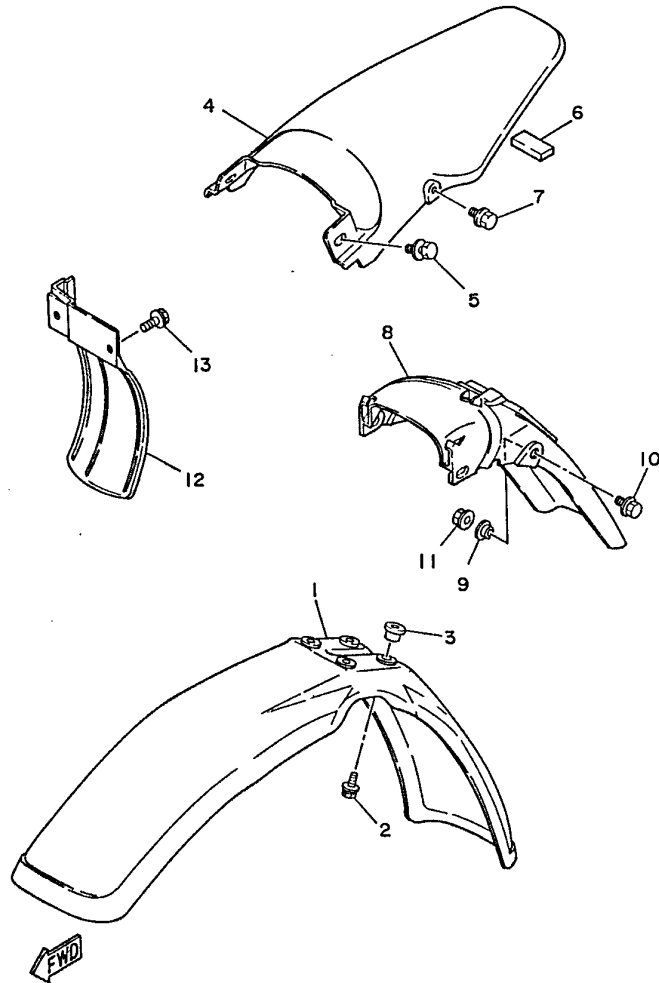


Ref #	Part No	Description	Qty	Remarks
1	3CJ-21110-00-UJ	FRAME COMP (RADICAL WHITE)	1	RADICAL WHITE
2	90105-10052	BOLT (516)	1	
3	90201-100E9	WASHER, PLATE (5G2)	1	
4	90185-10060	NUT, SELF-LOCKING	1	
5	90105-08391	BOLT, WASHER BASED(59W)	1	
6	95811-08045	464 BOLT, FLANGE	3	
7	90201-094G1	WASHER, PLATE	3	
8	90185-08089	NUT, SELF-LOCKING	3	
9	3ET-21425-00	BRACKET, REAR UPPER 1	2	
10	3BN-2141E-00	BRACKET, 2	1	
11	30X-22178-00	TENSIONER	2	
12	2K7-2148A-00	SHAFT	1	
13	10V-22184-00	BUSH	2	
14	90201-08753	P52 WASHER, PLATE (3L5)	2	
15	95816-08050	BOLT, FLANGE (1KG)	1	
16	90185-08143	NUT, SELF-LOCKING(3BN)	1	
17	95026-08012	BOLT, FLANGE	1	
18	95816-06012	BOLT, FLANGE	2	
19	55E-21308-00	HELMET HANGER ASSY	1	
20	90151-06025	SCREW, COUNTERSUNK	1	
21	3BN-21190-00-UJ	REAR FRAME	1	RADICAL WHITE
22	90119-06172	BOLT, WITH WASHER	2	
23	95811-06012	P66 BOLT, FLANGE (4H7)	2	
24	3ET-2117G-00	PROTECTOR	1	
25	97301-06008	BOLT	2	
26	3BN-28100-00	TOOL KIT	1	
27	10V-28135-00	SPANNER, SPECIAL	1	

3CJ1700-8160

DT200RB(1991) - CYLINDER - FENDER

Printed 30/03/2009

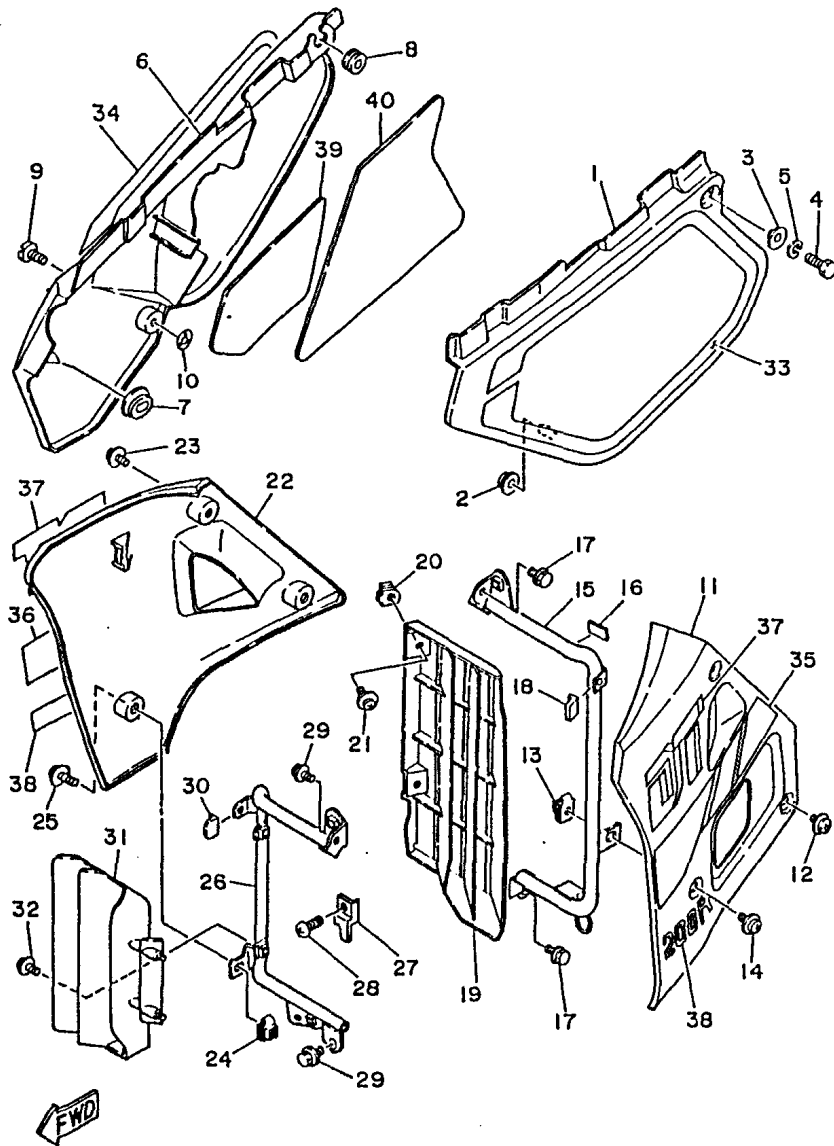


3BN351-8180

Ref #	Part No	Description	Qty	Remarks
1	3R9-21511-11	FENDER, FRONT (SKY BLUE)	1	SKY BLUE
2	90119-06097	P57 BOLT, WITH WASHER	4	
3	90387-062V8	COLLAR(2WG)	4	
4	2YY-21611-00	FR FENDER BLUE,DT200RE	1	
5	90119-06042	BOLT, WITH WASHER	2	
6	3BN-21639-00	DAMPER 2	1	
7	95811-06012	P66 BOLT, FLANGE (4H7)	2	
8	3BN-21685-00	BRACKET, LICENSE	1	
9	90560-08066	SPACER	2	
10	95816-08020	443 BOLT, FLANGE	2	
11	95701-08500	NUT, FLANGE	2	
12	3BN-21642-00	GUARD, FLAP	1	
13	90119-06194	BOLT, WITH WASHER(3J)	2	

DT200RB(1991) - CYLINDER - SIDE COVER

Printed 30/03/2009

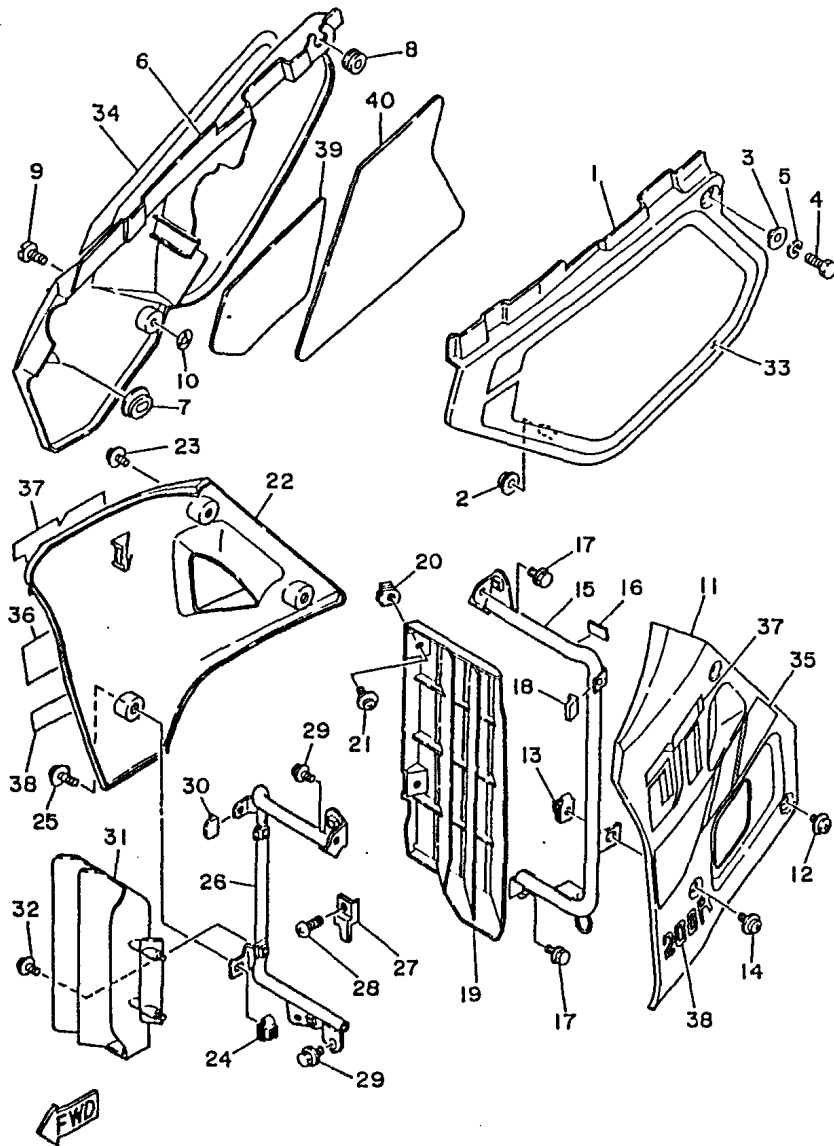


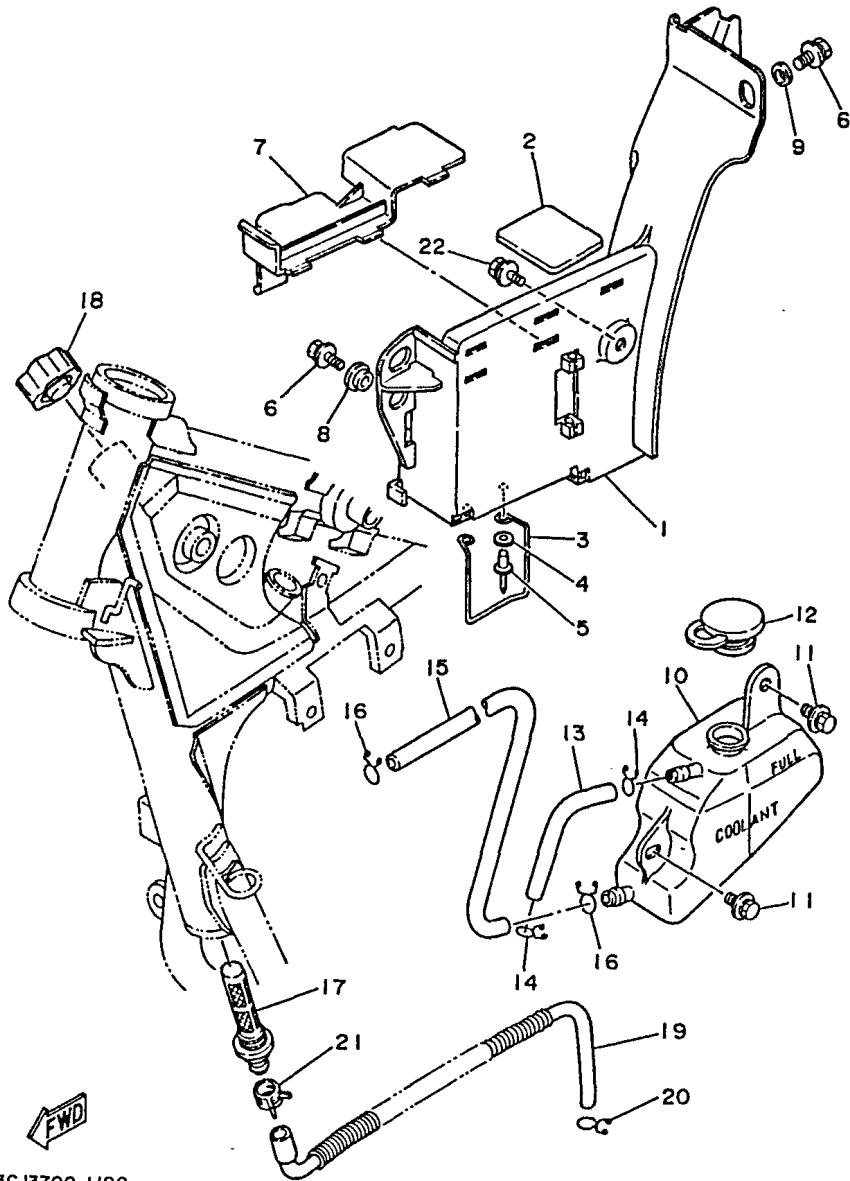
3E TO 10-8180

Copyright 2008 Yamaha Motor Australia

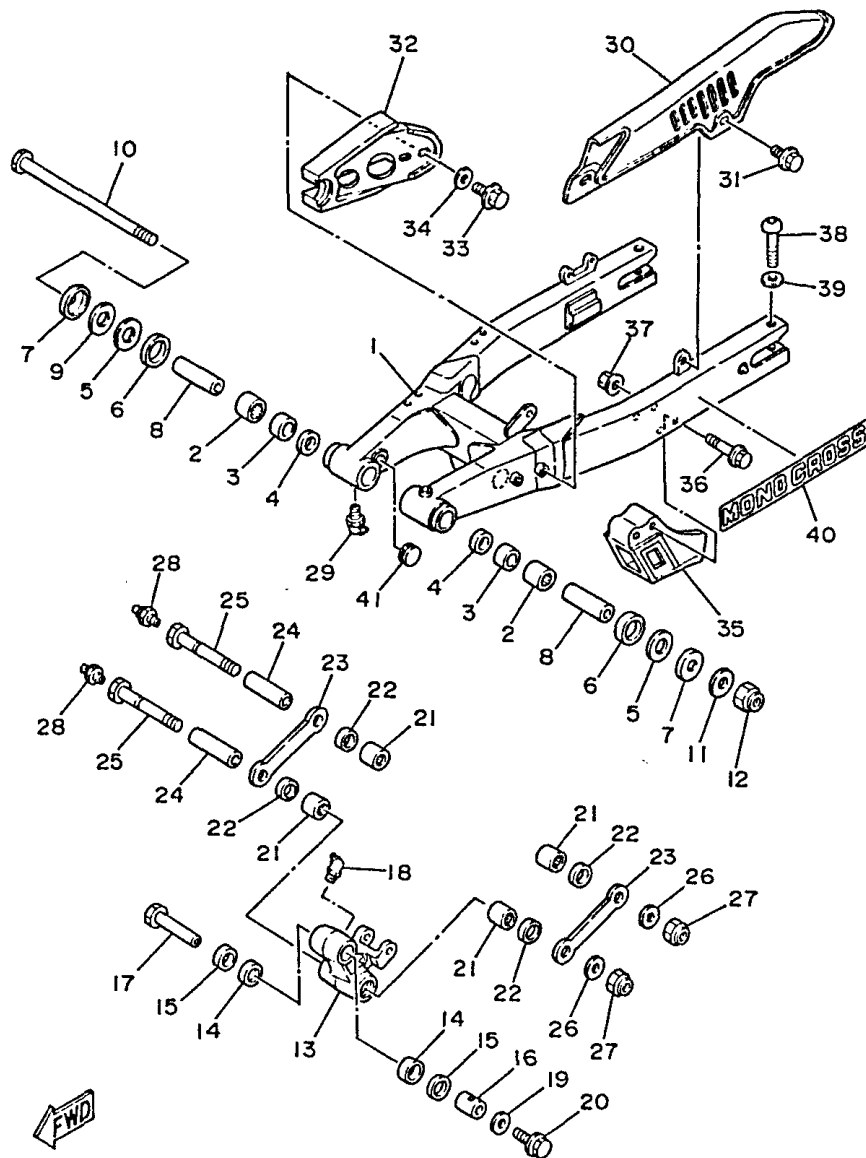
Ref #	Part No	Description	Qty	Remarks
1	2YY-21711-00	COVER, SIDE 1 (SKY BLUE)	1	SKY BLUE
2	90480-13398	GROMMET	1	
3	90387-06500	COLLAR	1	
4	97001-06020	BOLT (78G)	1	
5	92990-06100	C62 WASHER, SPRING P58	1	
6	2YY-21721-00-98	COVER, SIDE SKY BLUE	1	LOW GLOSS BLACK75 KY BLUE
7	90480-12325	GROMMET	1	
8	90480-12325	GROMMET	1	
9	90149-06194	SCREW	1	
10	4U5-2176E-00	PLATE	1	
11	2YY-2137W-00	SCOOP, AIR 1 (SKY BLUE)	1	SKY BLUE
12	90159-06160	SCREW, WITH WASHER(3BN)	2	
13	3BN-21791-00	NUT	1	
14	90159-05167	SCREW, WITH WASHER(3BN)	1	
15	3BN-2172K-00	BRACKET 1	1	
16	3BN-21747-00	DAMPER	1	
17	91026-06010	BOLT, FLANGE(2TV)	2	
18	90480-16185	GROMMET	1	
19	3BN-2172A-00	PANEL 1	1	
20	22W-21791-00	NUT	2	
21	90159-05163	SCREW, WITH WASHER(3BN)	2	
22	2YY-2137X-00	SCOOP, AIR 2 (SKY BLUE)	1	SKY BLUE
23	90159-06160	SCREW, WITH WASHER(3BN)	2	
24	3BN-21791-00	NUT	1	
25	90159-05167	SCREW, WITH WASHER(3BN)	1	
26	3ET-2172L-00	BRACKET 2	1	
27	3ET-2175H-00	STAY, LOCK	1	
28	98906-06010	P54 SCREW, BIND (844)	1	
29	91026-06010	BOLT, FLANGE(2TV)	2	
30	90480-16185	GROMMET	1	
31	1LX-2172F-01	PANEL 2 J	1	
32	90159-05083	SCREW, WITH WASHER	2	
33	3BN-2173L-10	GRAPHIC SET 1	1	
34	3BN-2174L-10	GRAPHIC SET 2	1	
35	2YY-2174J-00	GRAPHIC 5	1	
36	2YY-2174K-00	GRAPHIC 6	1	
37	2YY-21781-00	EMBLEM 1	2	
38	2YY-21783-00	EMBLEM 3	1	
39	3BN-2174A-00	INSULATOR, SIDE COVER	1	

Ref #	Part No	Description	Qty	Remarks
40	3BN-2174T-00	INSULATOR, SIDE COVER 2	1	





Ref #	Part No	Description	Qty	Remarks
1	3BN-2177A-00	BOX	1	
2	3BN-21638-00	DAMPER 1	1	
3	3ET-21339-00	GUIDE, WIRE	1	
4	90201-044A2	P58 WASHER, PLATE	2	
5	90267-40029	RIVET, BLIND	2	
6	90119-06056	BOLT, WITH WASHER	1	
7	3BN-2176E-00	PLATE	1	
8	90560-08066	SPACER	1	
9	90387-082J1	COLLAR	1	
10	3BN-21871-00	TANK, RECOVERY	1	
11	90119-06056	BOLT, WITH WASHER	2	
12	10V-21875-00	CAP	1	
13	90445-09073	443 HOSE	1	
14	90467-08003	CLIP	2	
15	3BN-21877-00	PIPE, OVERFLOW	1	
16	90467-10008	CLIP	2	
17	2YK-21760-00	UNION SCREW ASSY	1	
18	3ET-21770-00	OIL TANK CAP ASSY	1	
19	3ET-13416-00	PIPE, OIL 1	1	
20	90467-08003	CLIP	1	
21	90467-11028	CLIP	1	
22	90119-06118	BOLT, WITH WASHER	1	

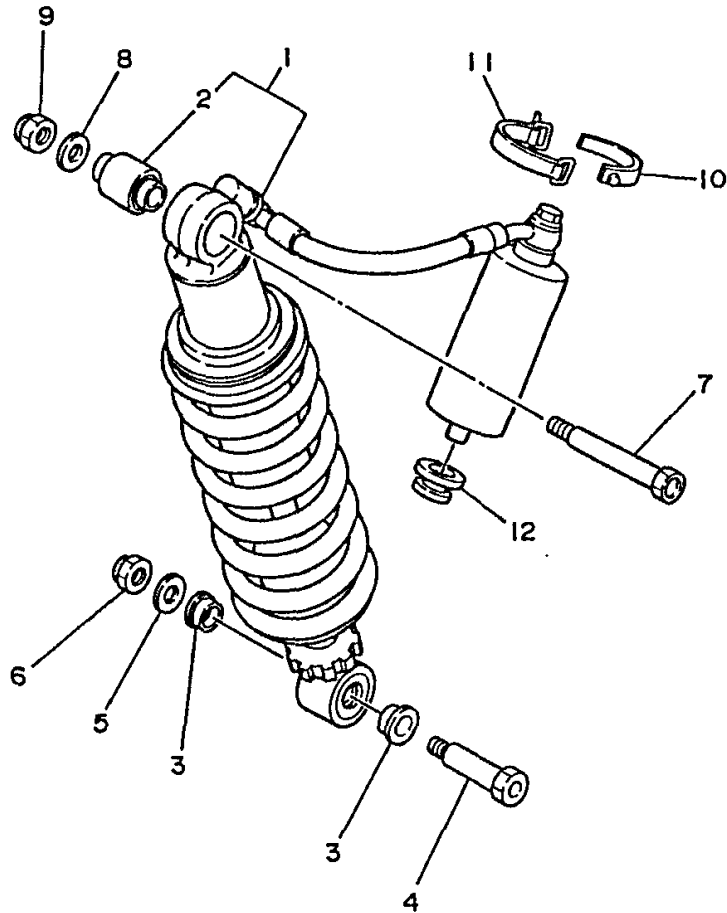


Ref #	Part No	Description	Qty	Remarks
1	3ET-22110-00	REAR ARM COMP	1	
2	93317-32231	BEARING, CYLINDRICAL	2	
3	90380-22111	BUSH, SOLID	2	
4	93106-22019	OIL SEAL (DC 22-28-8)	2	
5	90201-254H8	WASHER, PLATE	2	
6	93108-35004	OIL SEAL (35-41-8)	2	
7	30X-2219X-00	COVER	2	
8	90380-16077	BUSH, SOLID	2	
9	90201-251F6	WASHER, PLATE (5Y1)	2	UN
10	3R4-22141-00	SHAFT, PIVOT	1	
11	90201-164H4	WASHER, PLATE	1	
12	90185-16127	NUT, SELF-LOCKING	1	
13	3ET-2217A-00	ARM, RELAY	1	
14	93315-32044	BEARING (YT2015)	2	IKO
15	93109-20029	OIL SEAL (20X27X5)	2	
16	90387-164U7	COLLAR(3BN)	1	
17	90402-10005	NUT, UNION (1LV)	1	
18	93700-06005	NIPPLE, GREASE	1	
19	90201-106F2	WASHER, PLATE	1	
20	91011-10016	BOLT, FLANGE (2VM)	1	
21	93315-22045	BEARING (YT202720E01)	4	IKO
22	93109-20029	OIL SEAL (20X27X5)	4	
23	3BN-2217F-00	ROD, CONNECTING 1	2	
24	90387-164U8	COLLAR(3BN)	2	
25	90401-14136	BOLT, UNION(2WG)	2	
26	90201-160F6	WASHER, PLATE	2	
27	90185-14070	NUT, SELF-LOCKING	2	
28	93700-06004	NIPPLE, GREASE	2	
29	93700-06005	NIPPLE, GREASE	2	
30	3TB-22311-00	CASE, CHAIN	1	
31	90119-06117	BOLT, WITH WASHER	2	
32	1LN-22151-00	SEAL, GUARD	1	
33	90119-06117	BOLT, WITH WASHER	2	
34	90209-06223	WASHER (14U)	2	
35	34X-22153-00	GUARD, CHAIN	1	
36	95801-06050	BOLT, FLANGE	2	
37	95701-06500	P66 NUT, FLANGE YSR80	2	
38	92011-06045	SCREW(3ET)	2	
39	92901-06600	P61 WASHER, PLATE	2	
40	30X-2218A-10	EMBLEM, REAR ARM (BLUE)	2	BLUE
41	90338-15202	PLUG	2	

2YY1351-8210

DT200RB(1991) - CYLINDER - REAR SUSPENSION

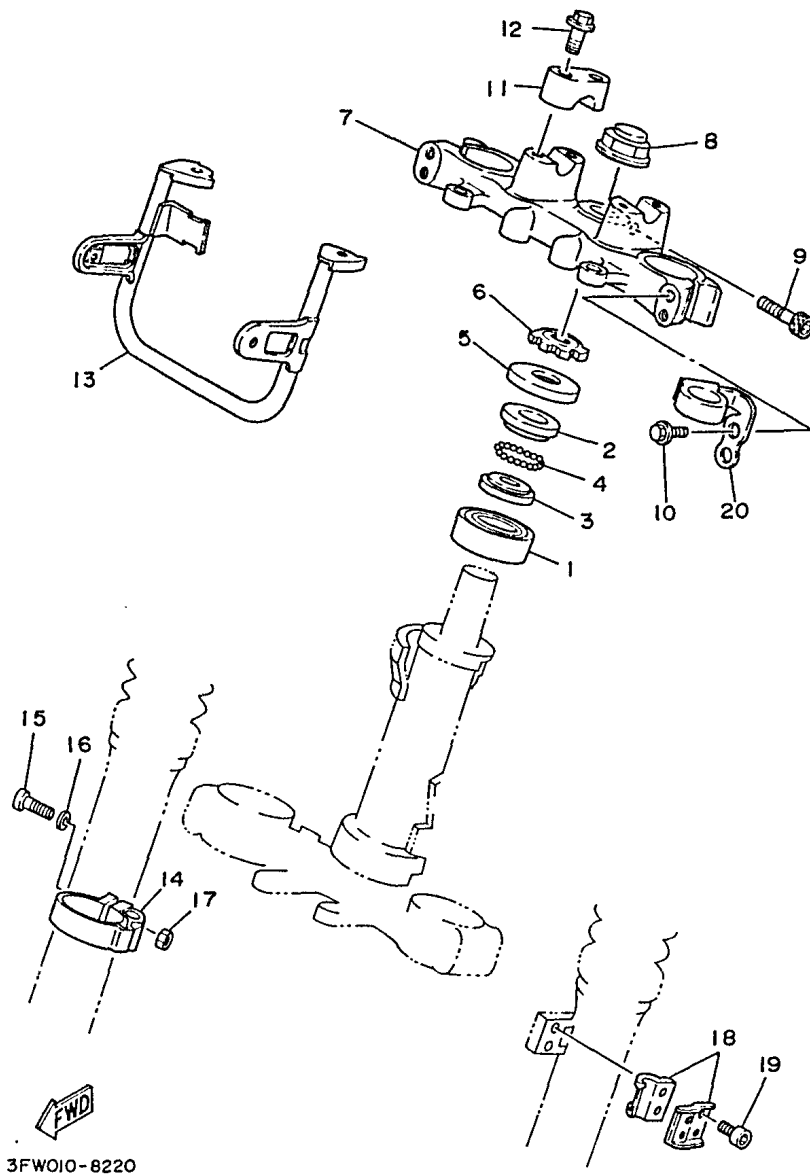
Printed 30/03/2009



Ref #	Part No	Description	Qty	Remarks
1	3CJ-22210-00-26	S/ABSORB ASSY, REAR (C/YELLOW	1	COMPETITION YELLOW
2	1YW-22216-00	BUSH, REAR SHOCK ABSORBER	1	
3	90387-126H8	COLLAR	2	
4	90109-10704	BOLT	1	
5	90201-100E9	WASHER, PLATE (5G2)	1	
6	90185-10120	NUT, SELF-LOCKING	1	
7	90109-100E2	BOLT	1	
8	90201-100E9	WASHER, PLATE (5G2)	1	
9	90185-10120	NUT, SELF-LOCKING	1	
10	24X-22261-00	DAMPER, SUB TANK	1	
11	24X-22262-00	HOLDER, SUB TANK	1	
12	90480-17359	GROMMET (22W)	1	

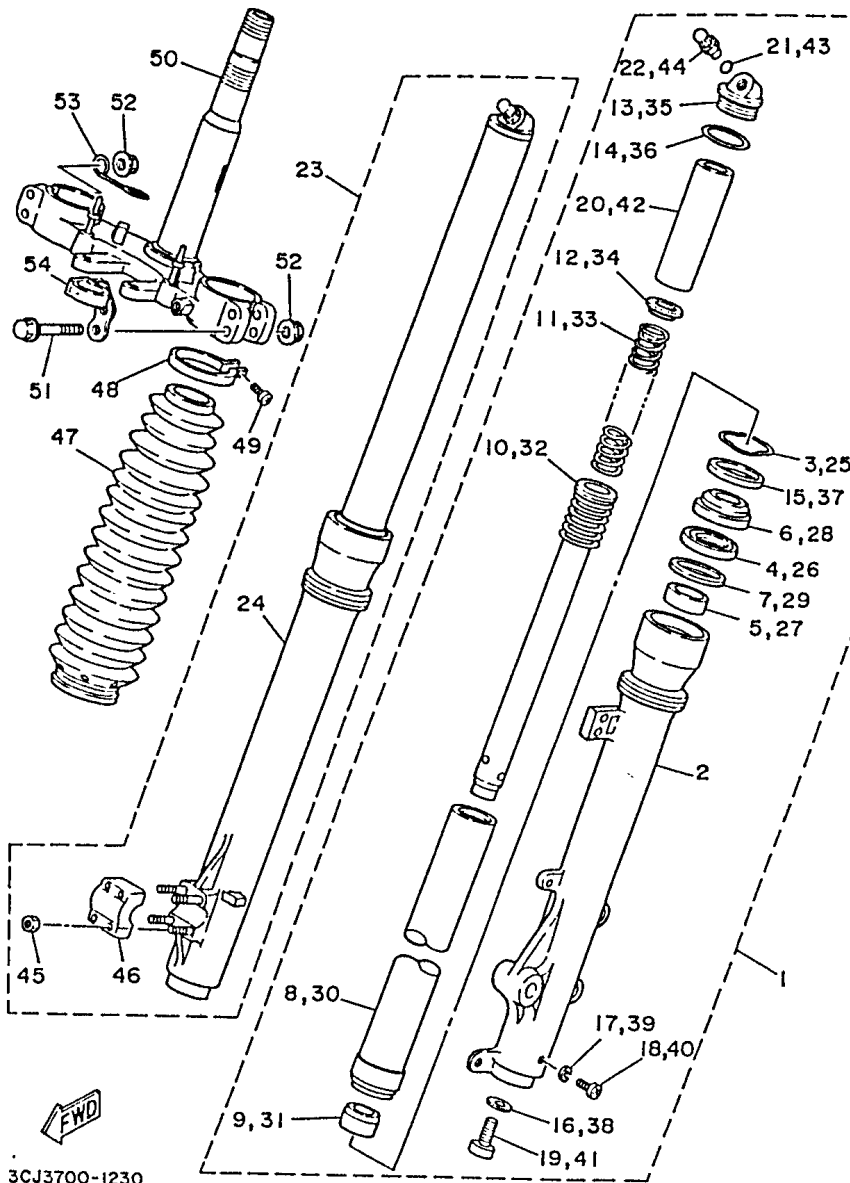


3ET010-8210



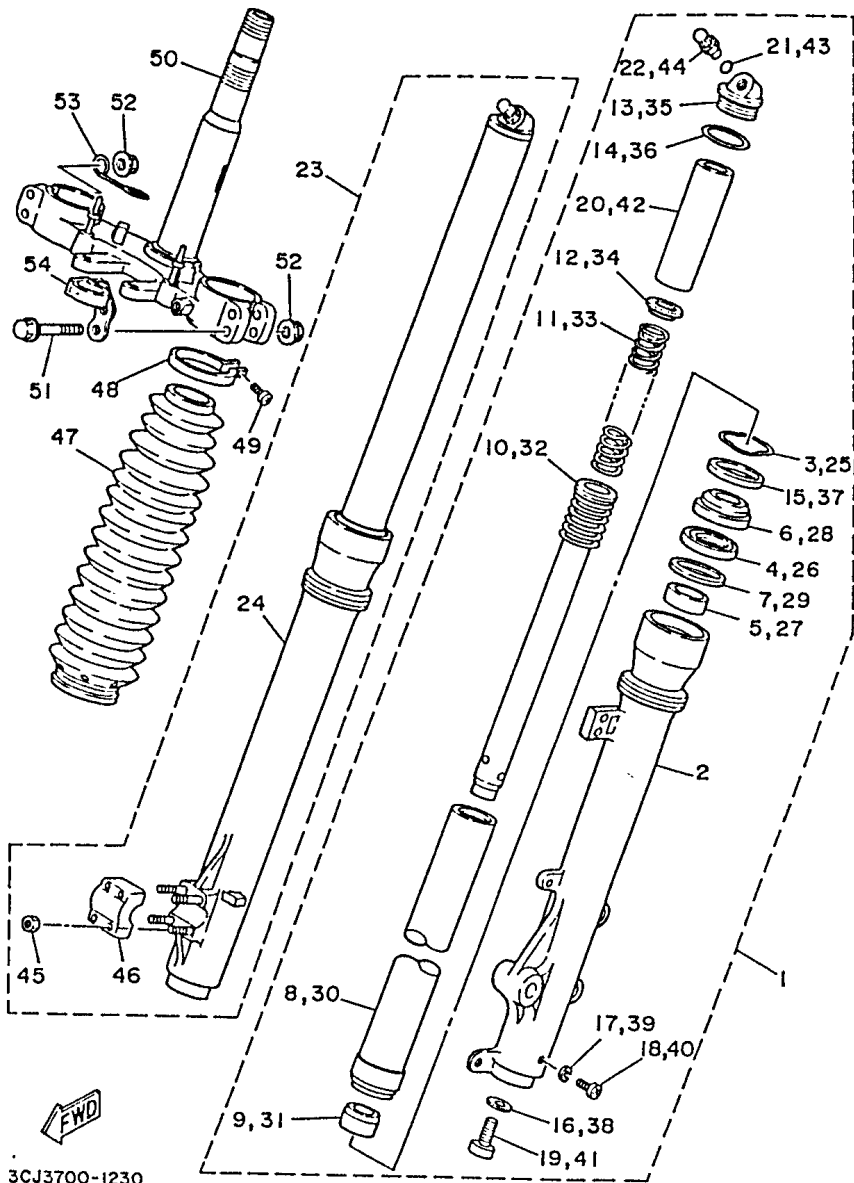
3FW010-8220

Ref #	Part No	Description	Qty	Remarks
1	93332-00008	BEARING	1	
2	122-23411-00	RACE, BALL 1	1	
3	122-23412-00	RACE, BALL 2	1	
4	93503-16010	C10 BALL	22	
5	10V-23416-01	COVER, BALL RACE 2	1	
6	90179-25033	NUT	1	
7	3FW-23435-00-98	CROWN, HANDLE	1	LOW GLOSS BLACK
8	90179-22455	NUT	1	
9	91311-08035	BOLT	1	
10	95026-08040	312 BOLT, FLANGE	4	
11	1E6-23441-00	HOLDER, HANDLE UPPER (P78)	1	
12	91026-08035	BOLT, FLANGE(3BN)	4	
13	3FW-23174-00	STAY, HEADLIGHT	1	
14	26A-23318-00	HOLDER, CABLE 1	1	
15	98503-05025	SCREW, PAN HEAD	1	
16	92901-05600	WASHER,PLATE	1	
17	95303-05600	NUT	1	
18	90465-14242	CLAMP	2	
19	91316-06012	BOLT	2	
20	34L-23389-00	GUIDE, CABLE	1	



3CJ3700-1230

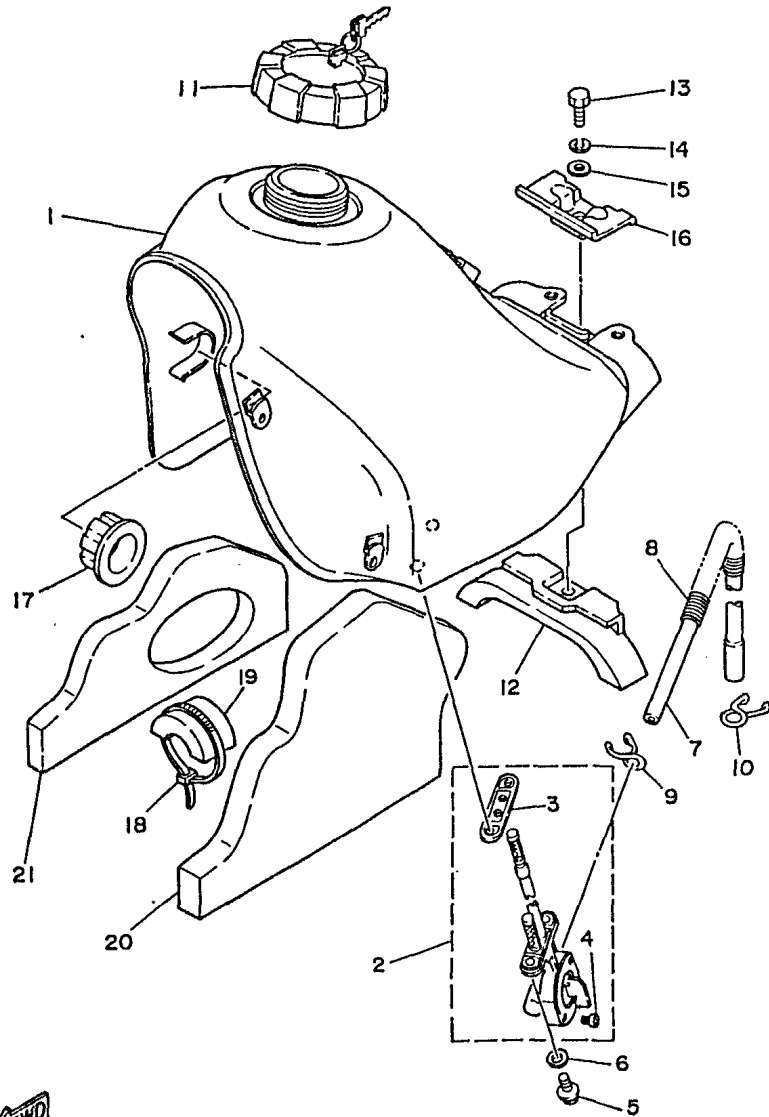
Ref #	Part No	Description	Qty	Remarks
1	2YY-23102-00	FRONT FORK ASSY (LH)	1	
2	3BN-23126-00	TUBE, OUTER 1	1	
3	26H-23156-00	CLIP, OIL SEAL	1	
4	3BN-23145-00	FORK SEAL 41X53X8	1	
5	3BN-23125-00	METAL, SLIDE 1	1	
6	43F-23144-10	SEAL, DUST	1	
7	36Y-23146-10	WASHER, OIL SEAL	1	
8	3BN-23110-00	INNER TUBE COMP1	1	
9	4V4-23173-L0	SPINDLE, TAPER	1	
10	2YY-23170-00	CYLINDER COMP, FRONT FORK	1	
11	2YY-23141-00	SPRING, FRONT FORK	1	
12	43F-23142-10	SEAT, SPRING UPPER	1	
13	43F-23111-10	BOLT, CAP	1	
14	43F-23188-10	O-RING	1	
15	3BN-23146-00	WASHER, OIL SEAL	1	
16	4V4-23158-L0	GASKET	1	
17	122-23129-00	GASKET, DRAIN PLUG	1	
18	4H7-23119-00	PLUG, DRAIN	1	
19	4V4-23181-L0	BOLT, HEXAGON SOCKET HEAD	1	
20	2YY-23118-00	SPACER	1	
21	3J2-23147-00	O-RING	1	
22	23X-23190-L0	AIR VALVE COMP	1	
23	2YY-23103-00	FRONT FORK ASSY (RH)	1	
24	3BN-23136-00	TUBE, OUTER 2	1	
25	26H-23156-00	CLIP, OIL SEAL	1	
26	3BN-23145-00	FORK SEAL 41X53X8	1	
27	3BN-23125-00	METAL, SLIDE 1	1	
28	43F-23144-10	SEAL, DUST	1	
29	36Y-23146-10	WASHER, OIL SEAL	1	
30	3BN-23110-00	INNER TUBE COMP1	1	
31	4V4-23173-L0	SPINDLE, TAPER	1	
32	2YY-23170-00	CYLINDER COMP, FRONT FORK	1	
33	2YY-23141-00	SPRING, FRONT FORK	1	
34	43F-23142-10	SEAT, SPRING UPPER	1	
35	43F-23111-10	BOLT, CAP	1	
36	43F-23188-10	O-RING	1	
37	3BN-23146-00	WASHER, OIL SEAL	1	
38	4V4-23158-L0	GASKET	1	
39	122-23129-00	GASKET, DRAIN PLUG	1	
40	4H7-23119-00	PLUG, DRAIN	1	
41	4V4-23181-L0	BOLT, HEXAGON SOCKET HEAD	1	
42	2YY-23118-00	SPACER	1	
43	3J2-23147-00	O-RING	1	
44	23X-23190-L0	AIR VALVE COMP	1	
45	2KF-23127-01	NUT, FLANGE	4	



Ref #	Part No	Description	Qty	Remarks
46	4V2-23167-L0	HOLDER, AXLE	1	
47	2KF-23191-10	BOOT (INK BLUE)	2	INK BLUE
48	43M-23192-L0	BAND	2	
49	98506-04018	SCREW, PAN HEAD	2	
50	3FW-23340-00	UNDER BRACKET COMP	1	
51	95821-08500	BOLT, FLANGE(3CJ)	4	
52	95701-08500	NUT, FLANGE	4	
53	4V5-23389-00	GUIDE, CABLE	1	
54	5Y0-23389-01	GUIDE, CABLE	1	

DT200RB(1991) - CYLINDER - FUEL TANK

Printed 30/03/2009



Ref #	Part No	Description	Qty	Remarks
1	3BN-24110-00-G8	FUEL TANK COMP (SKY BLUE)	1	SKY BLUE
2	3BN-24500-00	FUEL COCK ASSY 1	1	
3	4X8-24512-00	O-RING	1	
4	98503-03008	SCREW, PAN HEAD 1013	2	
5	90149-06011	SCREW	2	
6	90202-06010	WASHER, PLATE	2	
7	3ET-24311-00	PIPE, FUEL 1	1	
8	90501-08410	SPRING, COMPRESSION	1	
9	90467-08003	CLIP	1	
10	90467-10008	CLIP	1	
11	48Y-24602-00	CAP ASSY	1	
12	3BN-24182-00	DAMPER, LOCATING 2	1	
13	97313-06016	BOLT (682) P53	1	
14	92990-06100	C62 WASHER, SPRING P58	1	
15	92901-06600	P61 WASHER, PLATE	1	
16	34X-24186-01	WASHER, SPECIAL	1	
17	26H-24181-00	DAMPER, LOCATING 1	2	
18	90464-13080	528 CLAMP(81E)	1	
19	5X2-24184-00	DAMPER, LOCATING 4	1	
20	3BN-2414H-00	DAMPER, PLATE 1	1	
21	3FW-2414J-00	DAMPER, PLATE 2	1	

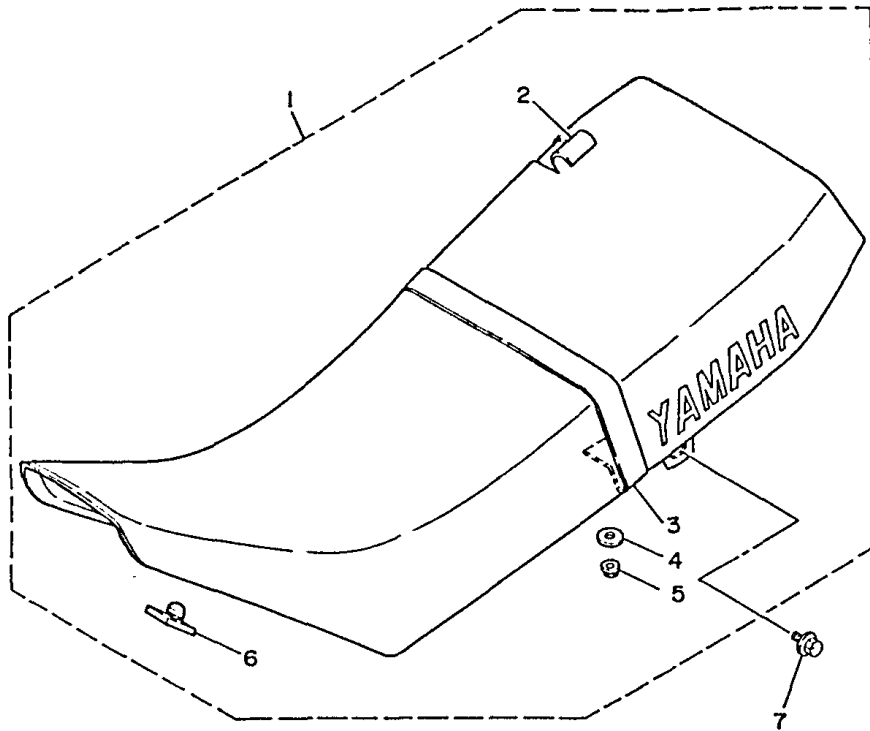


3CJ3700-1240

Copyright 2008 Yamaha Motor Australia

DT200RB(1991) - CYLINDER - SEAT

Printed 30/03/2009



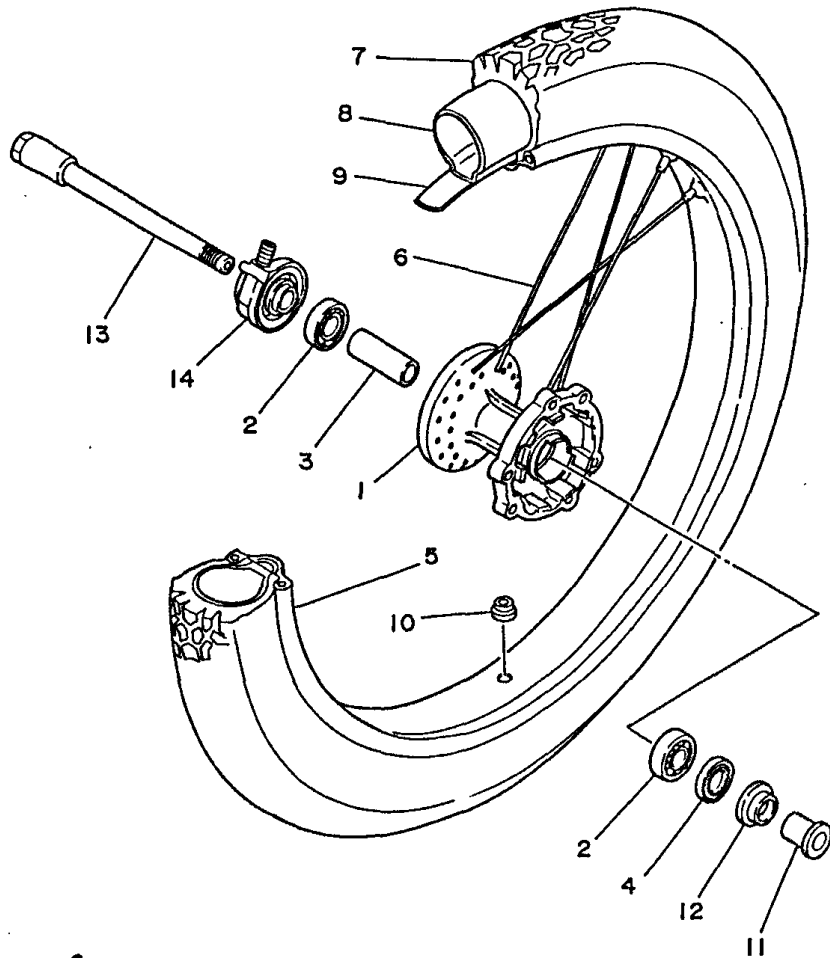
Ref #	Part No	Description	Qty	Remarks
1	2YY-24730-00	DOUBLE SEAT ASSY NLA 7/03	1	FARAH Y BLUE
2	2YY-24731-00	COVER, SEAT (FAREWAY BLUE)	1	FARANA Y BLUE
3	2YY-24734-00	BAND, SEAT (FAREWAY BLUE)	1	FARANA Y BLUE
4	90201-06067	P47 WASHER,PLATE (481)	2	
5	95303-06600	B99 NUT P57	2	
6	509-24724-00	DAMPER, SEAT	2	
7	90119-06043	BOLT,W/WASHER 6X16MM	2	



3CJ1700-8250

DT200RB(1991) - CYLINDER - FRONT WHEEL

Printed 30/03/2009



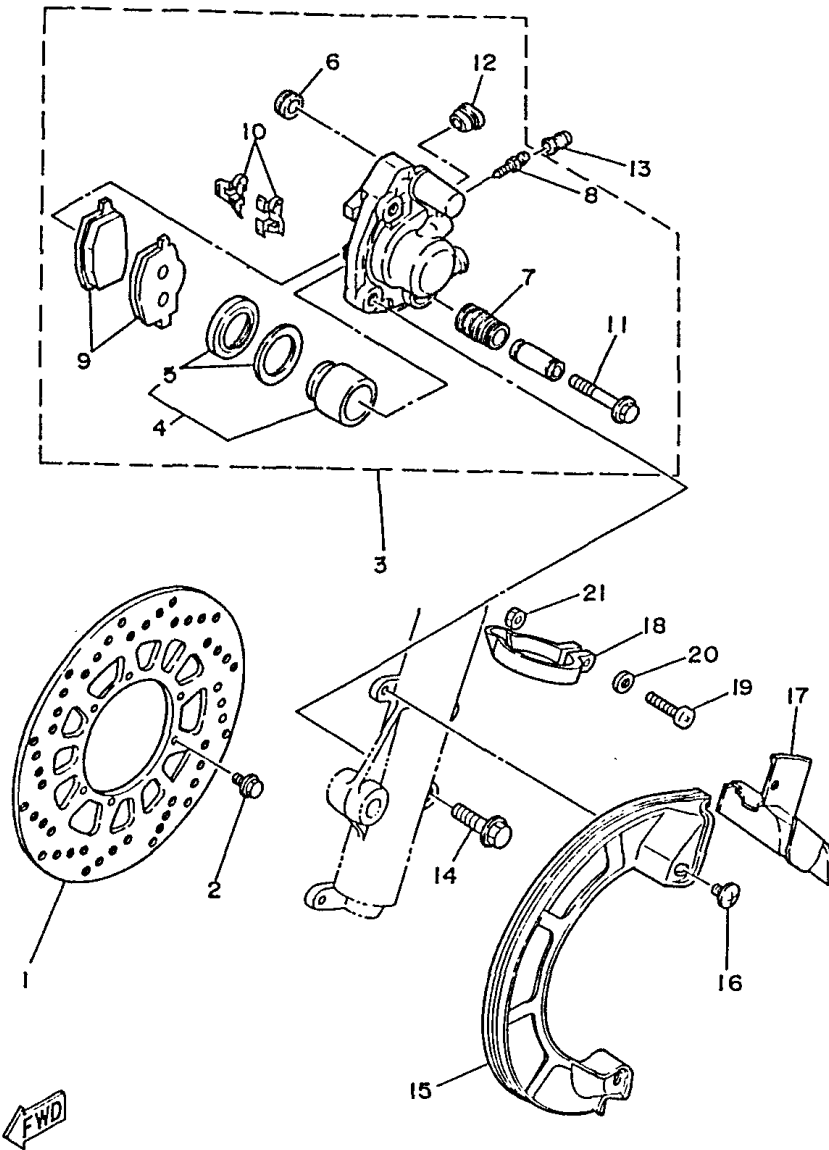
Ref #	Part No	Description	Qty	Remarks
1	55U-25111-01-98	HUB, FRONT	1	LOW GLOSS BLACK
2	93306-20209	BEARING (B6202)	2	
3	90560-15290	SPACER	1	
4	93102-20281	OIL SEAL (SD 20-35-5)	1	
5	94416-21427	RIM (160-21)	1	
6	1KH-25104-00	SPOKE SET, FRONT	1	
7	94130-217T1	TIRE (300-21)(3ET)	1	UR INOUE UR BRIDGES TONE
7	94130-213N2	TIRE (300-21)	1	UR INOUE UR BRIDGES TONE
8	94230-21126	TUBE (300-21)	1	UR INOUE UR BRIDGES TONE
8	94227-21123	TUBE (MCS 275/300-21 TR6)	1	UR INOUE UR BRIDGES TONE
9	94330-21084	BAND,RIM (160-21)	1	
10	90480-10068	GROMMET (397)	1	
11	90387-15600	COLLAR	1	
12	322-25118-00	COVER, HUB DUST	1	
13	55U-25181-01	AXLE, WHEEL	1	
14	1W2-25190-00	GEAR UNIT ASSY MC900031/3	1	



38N300-8270

DT200RB(1991) - CYLINDER - FRONT BRAKE CALIPER

Printed 30/03/2009



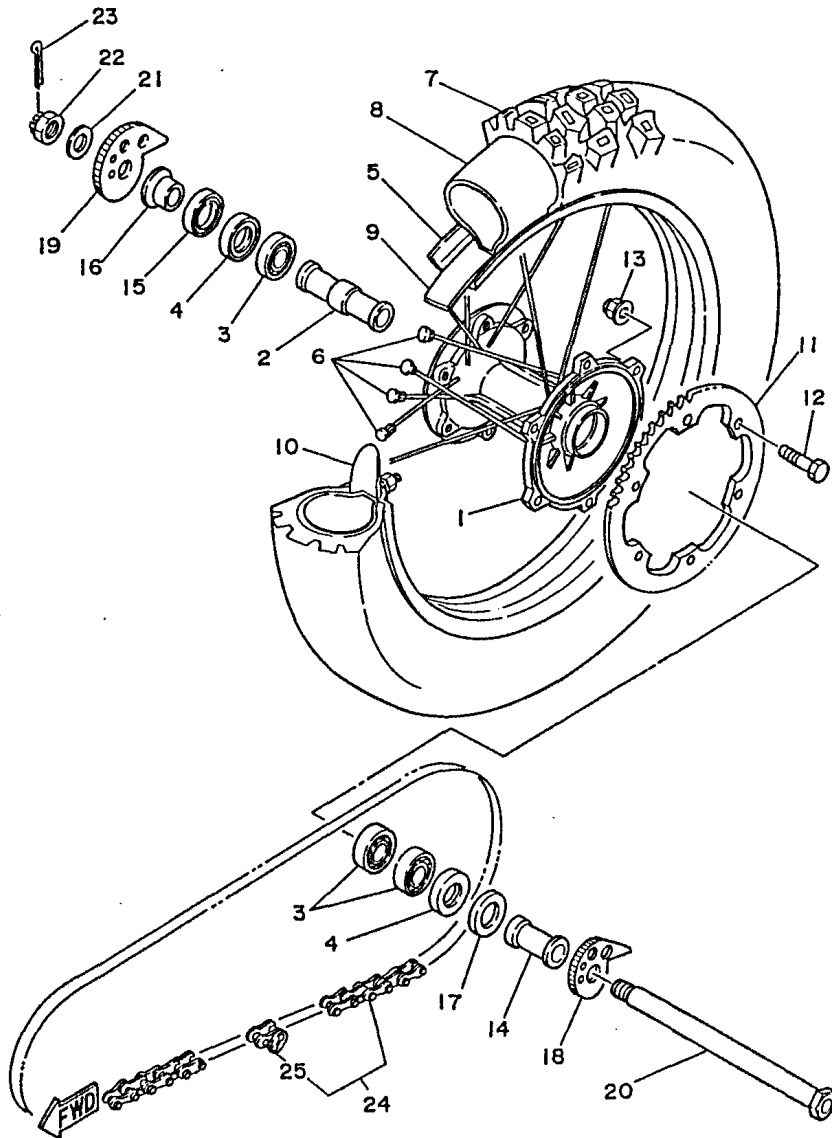
Ref #	Part No	Description	Qty	Remarks
1	3BN-2582T-00	DISC, BRAKE (LEFT)	1	
2	90109-06757	BOLT (34L)	6	
3	3BN-2580T-01	CALIPER ASSY (LEFT)J	1	
4	34X-W0057-00	PISTON ASSY, CALIPER	1	
5	34X-W0047-00	CALIPER SEAL KIT	1	
6	5R2-25937-00	BOOT 2	1	
7	34X-25937-00	BOOT 2	1	
8	47X-25824-00	SCREW, BLEED	1	
9	3BN-W0045-00	BRAKE PAD KIT, FRONT	1	
10	34X-25919-00	SUPPORT, PAD	2	
11	34X-25926-00	BOLT	1	
12	34X-25845-00	CAP, INDICATOR	1	
13	51L-25825-00	CAP	1	
14	90105-10308	BOLT, WASHER BASED	2	
15	3FW-25715-00	COVER 1 (COMPETITION YELLOW)	1	COMPETITION YELLOW
16	90149-06194	SCREW	2	COMPETITION YELLOW
17	3FW-25716-00	COVER 2 (COMPETITION YELLOW)	1	COMPETITION YELLOW
18	3ET-25719-00	BAND	1	
19	98501-05016	B96 SCREW, PAN HEAD 702	1	
20	92901-05600	WASHER, PLATE	1	
21	95303-05600	NUT	1	

3ET010-8270

Copyright 2008 Yamaha Motor Australia

DT200RB(1991) - CYLINDER - REAR WHEEL

Printed 30/03/2009

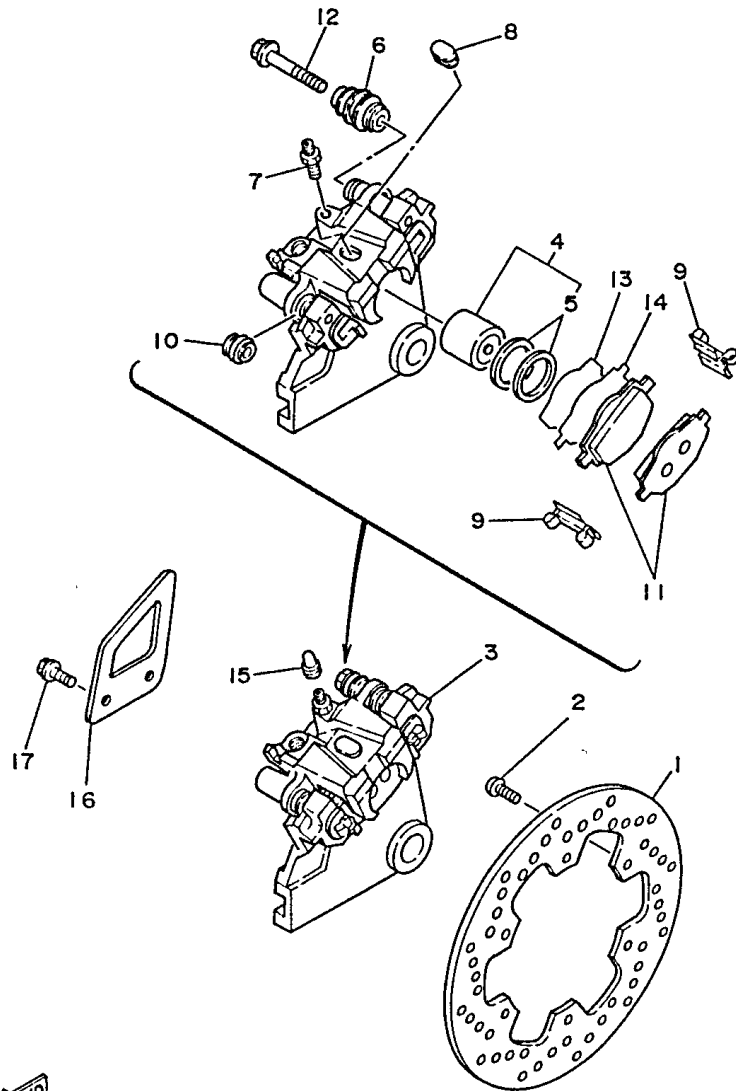


Ref #	Part No	Description	Qty	Remarks
1	3FW-25311-00-98	HUB, REAR BLACK	1	LOW GLOSS BLACK
2	90560-20278	SPACER	1	
3	93306-00438	BEARING	3	
4	93106-28023	OIL SEAL	2	
5	94421-18468	RIM (215-18)(3ET)	1	
6	3FW-25304-00	SPOKE SET, REAR	1	
7	94146-186T9	TIRE (460-18)(3ET)	1	UR BRIDGES TONE
7	94146-187T3	TIRE (460-18)(3ET)	1	UR INOUE
8	94240-18098	TUBE (400-18)	1	UR OUNLOP
8	94245-18125	TUBE, REAR (2K7)	1	UR INOUE
9	94340-18086	BAND, RIM (250-18)	1	UR BRIDGES TONE
9	94325-18043	BAND, RIM (538)	1	UR YOKOHA MA
10	3Y1-25394-00	SPACER, BEAD	1	
11	2YY-25443-00-33	SPROCKET,(43T)	1	YAMAHA BLACK
12	90109-08618	BOLT	6	
13	90185-08146	NUT, SELF-LOCKING(3BN)	6	
14	90387-201E6	COLLAR	1	
15	4V4-25367-00	COVER, HUB DUST	1	
16	90387-202U8	COLLAR (2VM)	1	
17	4V4-25367-00	COVER, HUB DUST	1	
18	3BN-25388-00	PULLER, CHAIN 1	1	
19	3BN-25389-00	PULLER, CHAIN 2	1	
20	3BN-25381-00	AXLE, WHEEL	1	
21	90201-204M9	WASHER, PLATE	1	
22	95301-18900	NUT(3BN)	1	
23	91401-30030	P54 PIN, COTTER	1	
24	94581-08106	DID CHAIN 520V6-106L (2YY)	1	
25	94681-08011	JOINT CHAIN DID 520V6-FJ	1	

3FW010-8280

DT200RB(1991) - CYLINDER - REAR BRAKE CALIPER

Printed 30/03/2009



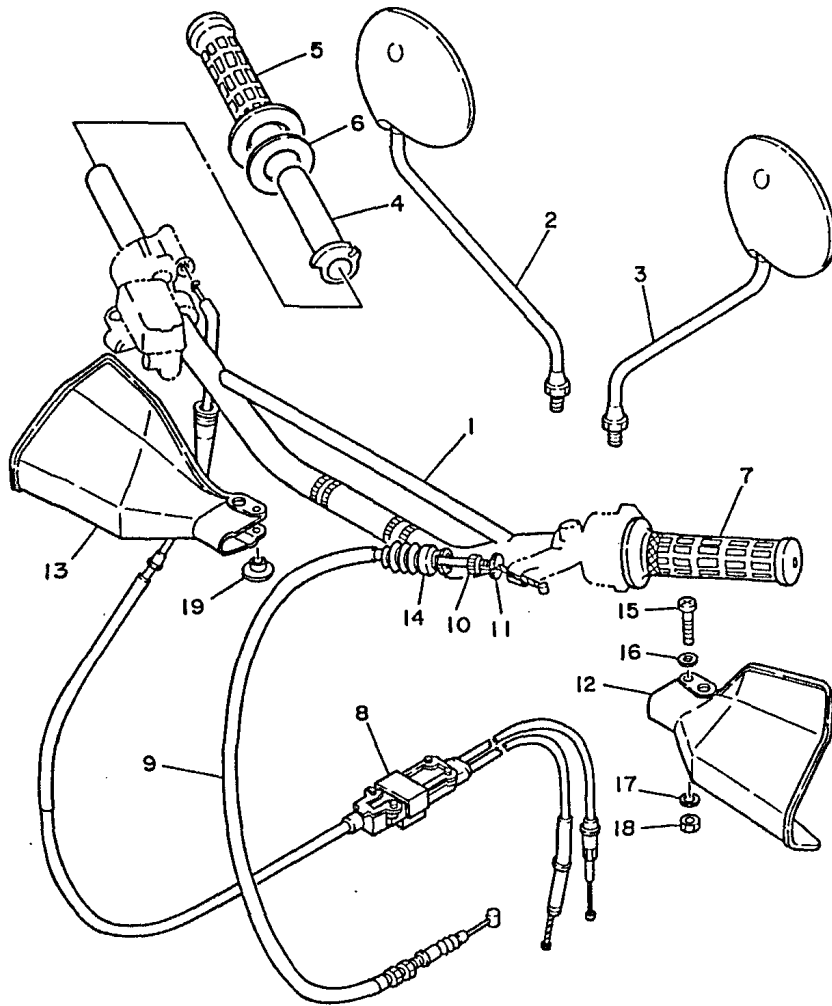
Ref #	Part No	Description	Qty	Remarks
1	3BN-2582W-00	DISC, REAR BRAKE 2	1	
2	90149-06270	SCREW(2WG)	6	
3	3ET-2580W-01	CALIPER ASSY, REAR 2	1	
4	2VN-W0057-00	PISTON ASSY, CALIPER	1	
5	2NA-W0047-00	CALIPER SEAL KIT	1	
6	34X-25937-00	BOOT 2	1	
7	47X-25824-00	SCREW, BLEED	1	
8	34X-25845-00	CAP, INDICATOR	1	
9	2KF-25919-00	SUPPORT, PAD	2	
10	5R2-25937-00	BOOT 2	1	
11	34X-W0046-02	BRAKE PAD KIT,REAR	1	
12	2GV-25926-00	BOLT	1	
13	2KF-25827-00	SHIM, CALIPER	1	
14	2KF-25828-00	SHIM, CALIPER	1	
15	51L-25825-00	CAP	1	
16	2KF-27491-00	PROTECTOR	1	
17	95801-06010	462 BOLT, FLANGE	2	



3BN300-8300

DT200RB(1991) - CYLINDER - STEERING HANDLE CABLE

Printed 30/03/2009



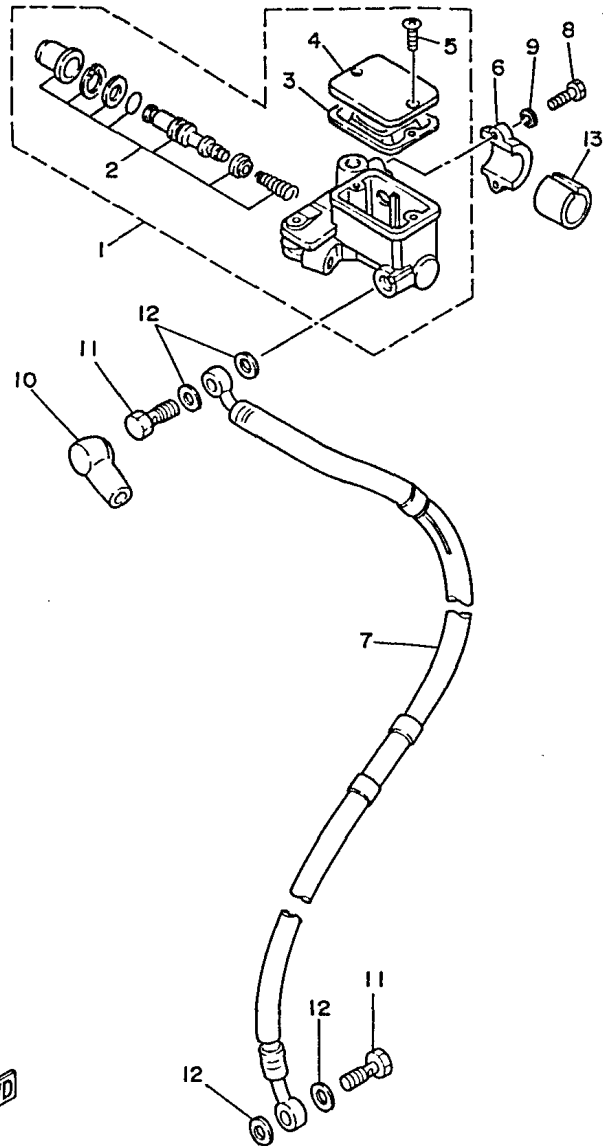
Ref #	Part No	Description	Qty	Remarks
1	1RH-26111-00	HANDLEBAR	1	
2	3Y1-26290-00	RH,MIRROR(BLACK)TW200P	1	
3	5Y1-26290-10	LH MIRROR TTR250 BLACK	1	
4	434-26243-00	TUBE, THROTTLE GUIDE	1	
5	33G-26242-00	GRIP (RH)	1	
6	1M1-26249-01	RING, LEAF	1	
7	33G-26241-00	GRIP (LH)	1	
8	3ET-26301-00	THROTTLE CABLE ASSY	1	
9	3BN-26335-00	CABLE, CLUTCH	1	
10	90123-08046	BOLT	1	
11	90179-08148	NUT	1	
12	1TY-26141-00	GUARD, BRUSH 1 (SKY BLUE)	1	SKY BLUE
13	1TY-26142-00	GUARD, BRUSH 2	1	SKY BLUE
14	1E6-26342-00	BOOT, CABLE	1	
15	98501-06035	SCREW, PANHEAD	1	
16	92901-06600	P61 WASHER, PLATE	1	
17	92901-06600	P61 WASHER, PLATE	1	
18	95303-06700	P58 NUT B99	1	
19	90387-06500	COLLAR	1	



3FWO10-8300

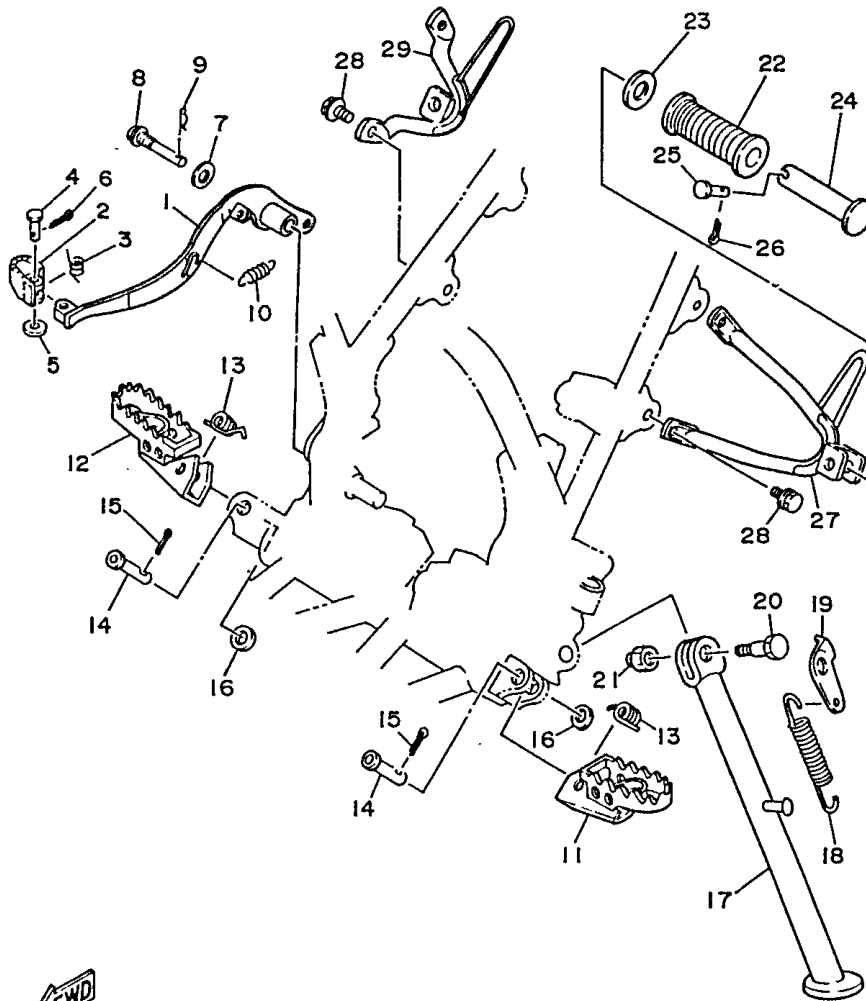
DT200RB(1991) - CYLINDER - FRONT MASTER CYLINDER

Printed 30/03/2009



Ref #	Part No	Description	Qty	Remarks
1	2KF-25850-00	MASTER CYLINDER ASSY	1	
2	59X-W0041-00	CYLINDER KIT, MASTER	1	
3	55U-25854-00	DIAPHRAGM, RESERVOIR	1	
4	2KF-25852-01	CAP, RESERVIOR	1	
5	98506-04012	SCREW, PAN HEAD	2	
6	56A-25867-00	BRACKET, MASTER CYLINDER	1	
7	3BN-25872-01	HOSE, BRAKE 1 J	1	
8	97016-06025	BOLT (30W)	2	
9	92906-06100	P58 WASHER, SPRING	2	
10	4L0-25862-00	BOOT, MASTER CYLINDER	1	
11	90401-10034	BOLT, UNION (481)	2	
12	90201-10118	WASHER, PLATE	4	
13	90387-225N2	COLLAR	1	

3BN300-8320

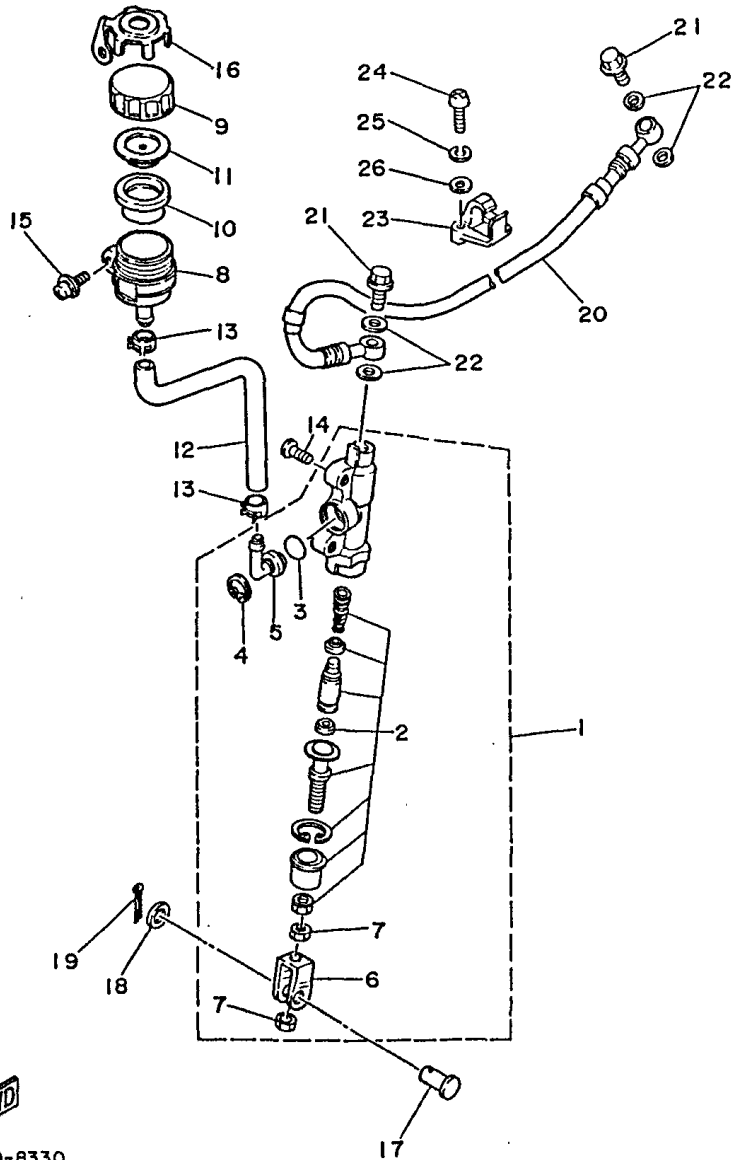


3BN300-8330

Ref #	Part No	Description	Qty	Remarks
1	3BN-27211-00	PEDAL, BRAKE	1	
2	55V-27242-00	PEDAL, BRAKE	1	
3	90508-14352	SPRING, TORSION	1	
4	91701-06022	PIN, CLEVIS	1	
5	92901-06600	P61 WASHER, PLATE	1	
6	91401-20015	P55 PIN, COTTER	1	
7	90201-081A6	WASHER, PLATE	1	
8	90149-08269	SCREW(2WG)	1	
9	90468-10050	CLIP	1	
10	90506-18305	SPRING, TENSION	1	
11	2VN-27411-00	FOOTREST 1	1	
12	2VN-27421-00	FOOTREST 2	1	
13	90508-20583	SPRING, TORSION (23X)	2	
14	90240-10117	PIN, CLEVIS	2	
15	91401-25015	P48 PIN, COTTER	2	
16	90201-10119	WASHER, PLATE	2	
17	3BN-27311-00-33	STAND, SIDE	1	YAMAHA BLACK
18	90506-29276	SPRING, TENSION (5Y1)	1	
19	42U-27315-01	LINK, SIDE STAND	1	
20	90109-10474	BOLT	1	
21	90185-10037	NUT, SELF-LOCKING	1	
22	120-27433-00	COVER, REAR FOOTREST	2	
23	90201-20279	WASHER, PLATE	2	
24	120-27431-00	FOOTREST, REAR 1	2	
25	90240-06009	PIN, CLEVIS	2	
26	91401-16015	PIN, COTTER	2	
27	3BN-27432-00-UJ	BRACKET 1 (RADICAL WHITE)	1	RADICAL WHITE
28	90109-08789	BOLT (34L)	4	
29	3BN-27442-00-UJ	BRACKET 2 (RADICAL WHITE)	1	RADICAL WHITE

DT200RB(1991) - CYLINDER - REAR MASTER CYLINDER

Printed 30/03/2009

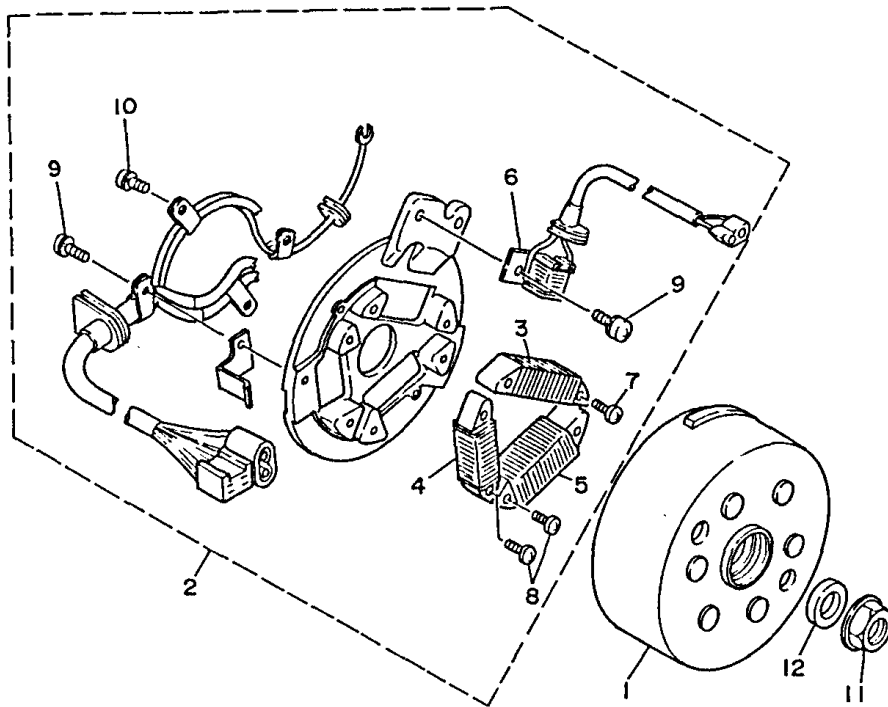


Ref #	Part No	Description	Qty	Remarks
1	3BN-2583V-00	REAR MASTER CYLINDER ASSY	1	
2	3BN-W0042-50	CYLINDER KIT, MASTEJ	1	
3	93210-15620	O-RING	1	
4	2VN-25866-00	CIRCLIP	1	
5	2VN-2582A-50	JOINT	1	
6	2YK-27222-00	JOINT	1	
7	95303-08600	P58 NUT C62	2	
8	2VN-25894-00	TANK, RESERVOIR	1	
9	2VN-25852-50	CAP, RESERVOIR	1	
10	2VN-25854-00	DIAPHRAGM, RESERVOIR	1	
11	2VN-25855-00	BUSH,DIAPHRAGM	1	
12	3BN-25895-00	HOSE, RESERVOIR	1	
13	90467-11044	CLIP	2	
14	92011-06016	SCREW,BUTTON HEADDULL PLATED	2	
15	90159-06056	SCREW, WITH WASHER	1	
16	3ET-25888-00	COVER, RESERVOIR TANK	1	
17	90240-08124	PIN, CLEVIS	1	
18	90201-08083	WASHER, PLATE	1	
19	91401-16015	PIN, COTTER	1	
20	3BN-25873-01	HOSE, BRAKE 2 J	1	
21	90401-10096	BOLT, UNION	2	
22	90201-10118	WASHER, PLATE	4	
23	3BN-25876-00	HOLDER, BRAKE HOSE 2	2	
24	98501-05020	SCREW, PAN HEAD	4	
25	92901-05100	598 WASHER, SPRING	4	
26	92901-05600	WASHER,PLATE	4	

3ETO10-8330

DT200RB(1991) - CYLINDER - GENERATOR

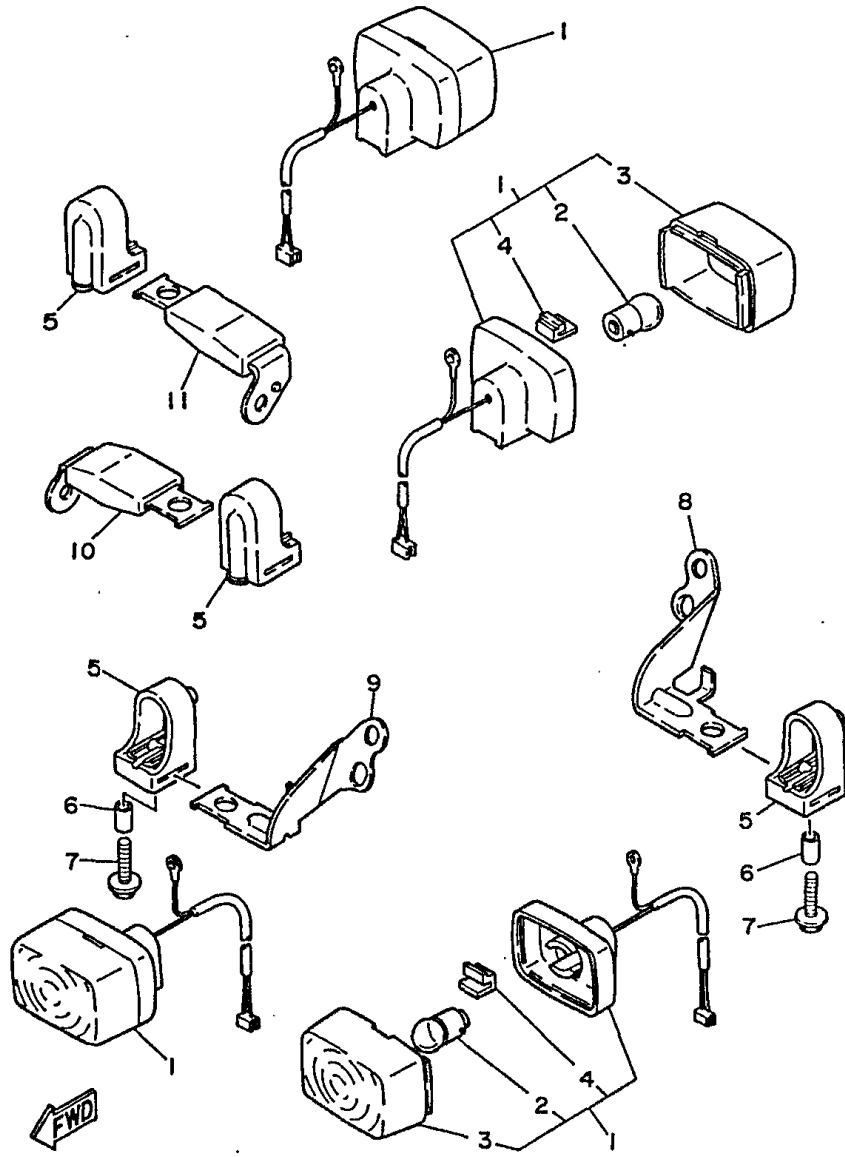
Printed 30/03/2009



Ref #	Part No	Description	Qty	Remarks
1	3ET-85550-00	ROTOR ASSY	1	
2	3BN-85560-00	BASE ASSY	1	
3	3BN-85520-00	COIL, CHARGE	1	
4	3BN-81313-00	COIL, LIGHTING 1	1	
5	3BN-81314-00	COIL, LIGHTING 2	1	
6	34X-85595-M0	COIL, PULSER	1	
7	98511-04012	P55 SCREW, PAN HEAD	2	
8	98511-04030	SCREW, PANHEAD	4	
9	98580-04008	SCREW, PAN HEAD	2	
10	97601-04106	SCREW, PAN HEAD WITH WASHER	3	
11	90179-12421	NUT (22U)	1	
12	90201-123L6	WASHER, PLATE	1	

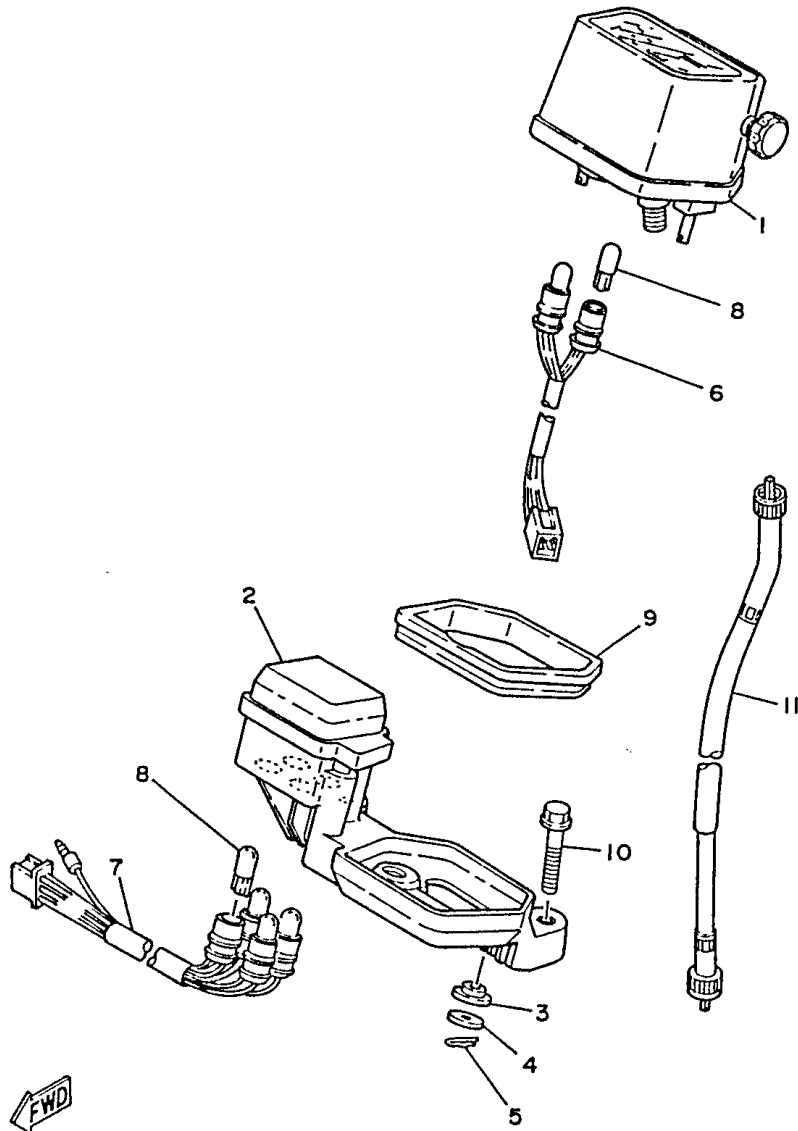


3BN300-8360



Ref #	Part No	Description	Qty	Remarks
1	3RW-83340-00	REAR FLASHER LIGHT J	4	
2	851-84744-00	BULB (12V-10W)	1	
3	2T4-83312-00	LENS FLASHER	1	
4	1KH-83345-00	PLUG, BLIND	1	
5	1KH-83321-00	DAMPER, FLASHER 1	4	
6	90387-05285	COLLAR	4	
7	90159-05011	SCREW, WITH WASHER	4	
8	3FW-83318-00	STAY, FLASHER 1	1	
9	3FW-83328-00	STAY, FLASHER 2	1	
10	3FW-83368-00	STAY, FLASHER 1	1	
11	3FW-83369-00	STAY, FLASHER 2	1	

3FW010-8350



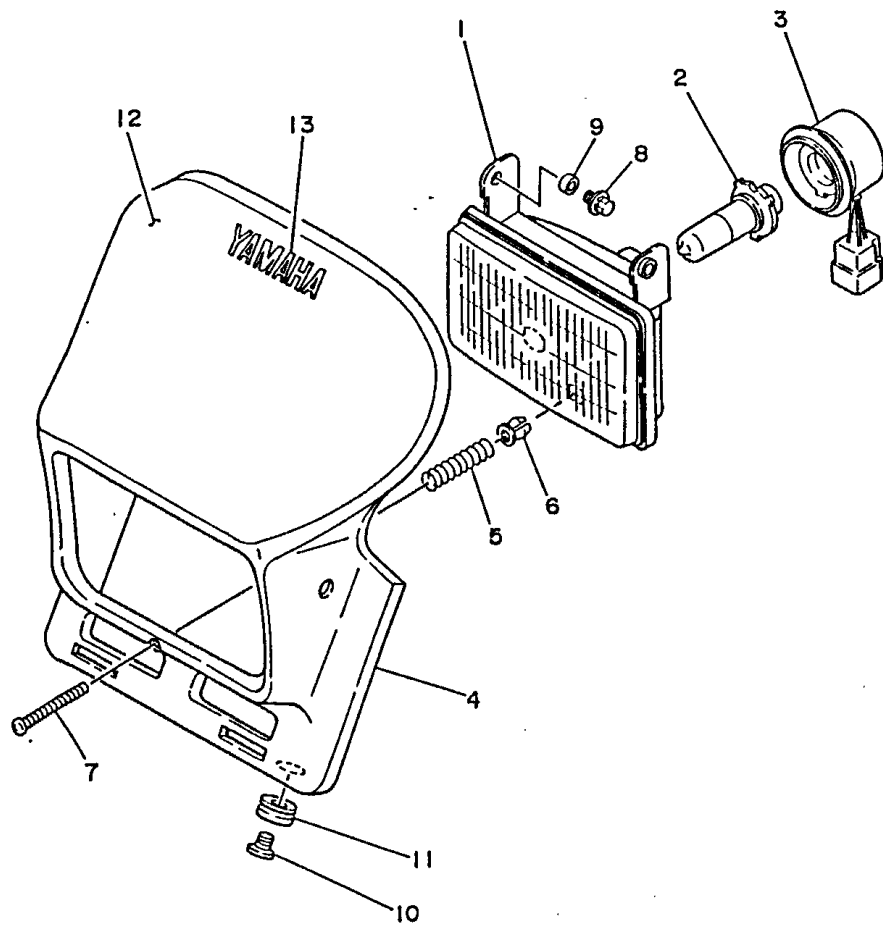
Ref #	Part No	Description	Qty	Remarks
1	3CJ-83580-00	SPEEDOMETER ASSY	1	
2	3FW-8355A-00	BRACKET, METER	1	
3	1M1-83526-00	DAMPER 2	2	
4	90201-05033	WASHER, PLATE	2	
5	90468-10050	CLIP	2	
6	3ET-83520-00	SOCKET CORD ASSY NLA 09/03	1	
7	3FW-83520-10	SOCKET CORD ASSY	1	
8	4G1-84744-00	BULB (12V-34W T-10)	6	
9	5Y1-83513-00	DAMPER	1	
10	91026-06040	BOLT, FLANGE(3BN)	2	
11	3ET-83550-00	SPEEDOMETER CABLE MC900031/2	1	



3FW010-8360

DT200RB(1991) - CYLINDER - HEADLIGHT

Printed 30/03/2009



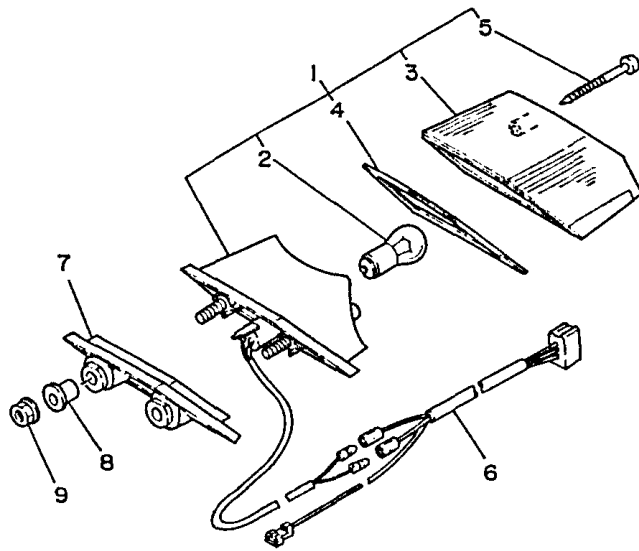
Ref #	Part No	Description	Qty	Remarks
1	3FW-84320-00	LENS,*FOAM BACK=10V-84196-00*	1	
2	3FW-84314-00	BULB,QH 12V 35/365W (KOITO)	1	
3	3FW-84340-00	SOCKET CORD ASSY 1	1	
4	3CJ-84311-00	BODY, HEADLIGHT (SKY BLUE)	1	SKY BLUE
5	55U-84332-00	SPRING, SCREW	1	
6	50W-84334-00	NUT, ADJUSTING	1	
7	849-84724-00	406 SCREW, LENS FITTING	1	
8	55U-84337-00	BOLT, SPECIAL	2	
9	55U-84328-00	SPACER	2	
10	98903-06010	P66 SCREW, BIND	2	
11	90480-12053	GROMMET	2	
12	3FW-84141-00	EMBLEM, HEADLIGHT	1	
13	99234-00020	EMBLEM, YAMAHA (FOR SILVER)	1	



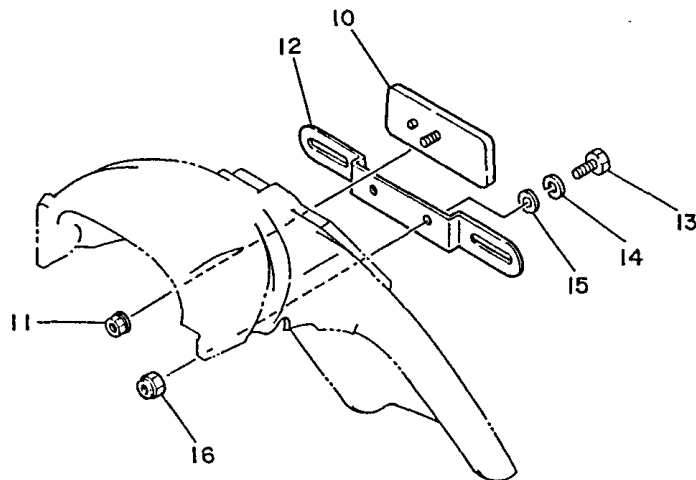
3E7010-B370

DT200RB(1991) - CYLINDER - TAILLIGHT

Printed 30/03/2009

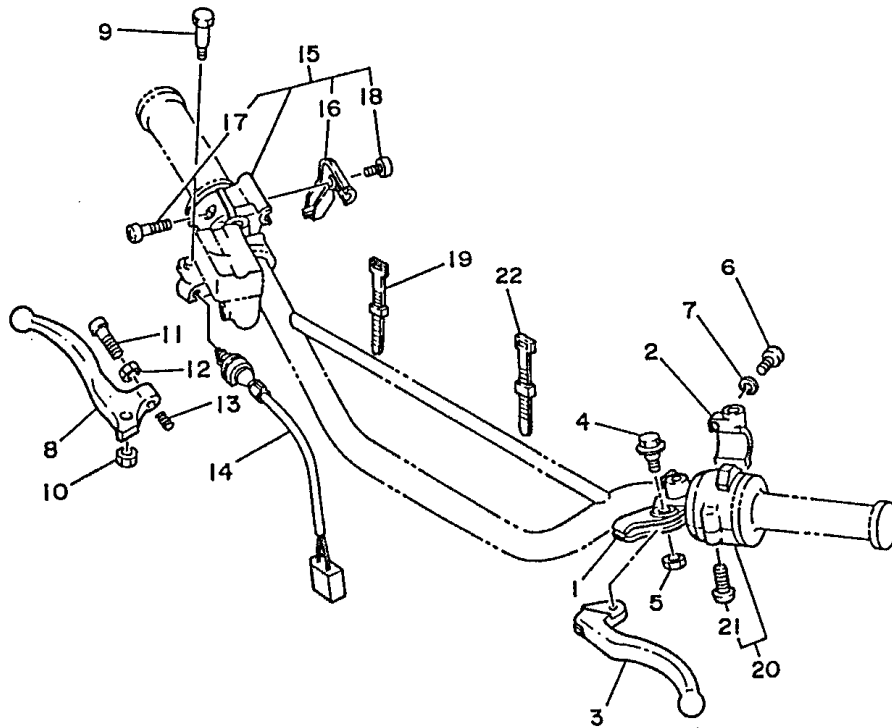


Ref #	Part No	Description	Qty	Remarks
1	34X-84710-00	TAILLIGHT UNIT ASSY	1	
2	31L-84714-00	BULB (12V-21/5W)ADR250/350	1	
3	34Y-84721-E0	LENS, TAILLIGHT	1	
4	34Y-84723-E0	GASKET, TAIL LENS	1	
5	97706-40530	SCREW, TAPPING	2	
6	10V-84517-00	CORD, TAILLIGHT	1	
7	34X-84527-00	DANPER	1	
8	90387-07391	COLLAR	2	
9	95701-06500	P66 NUT, FLANGE YSR80	2	
10	3Y6-85130-01	REAR REFLECTOR ASSY (RED)	1	
11	95701-05500	P61 NUT, FLANGE	1	
12	3BN-84551-00	BRACKET, LICENCE	1	
13	97016-06016	BOLT (1KG)	2	
14	92906-06100	P58 WASHER, SPRING	2	
15	90201-065F3	WASHER, PLATE (558) 574	2	
16	95601-06100	NUT, U (483) P55	2	



DT200RB(1991) - CYLINDER - HANDLE SWITCH LEVER

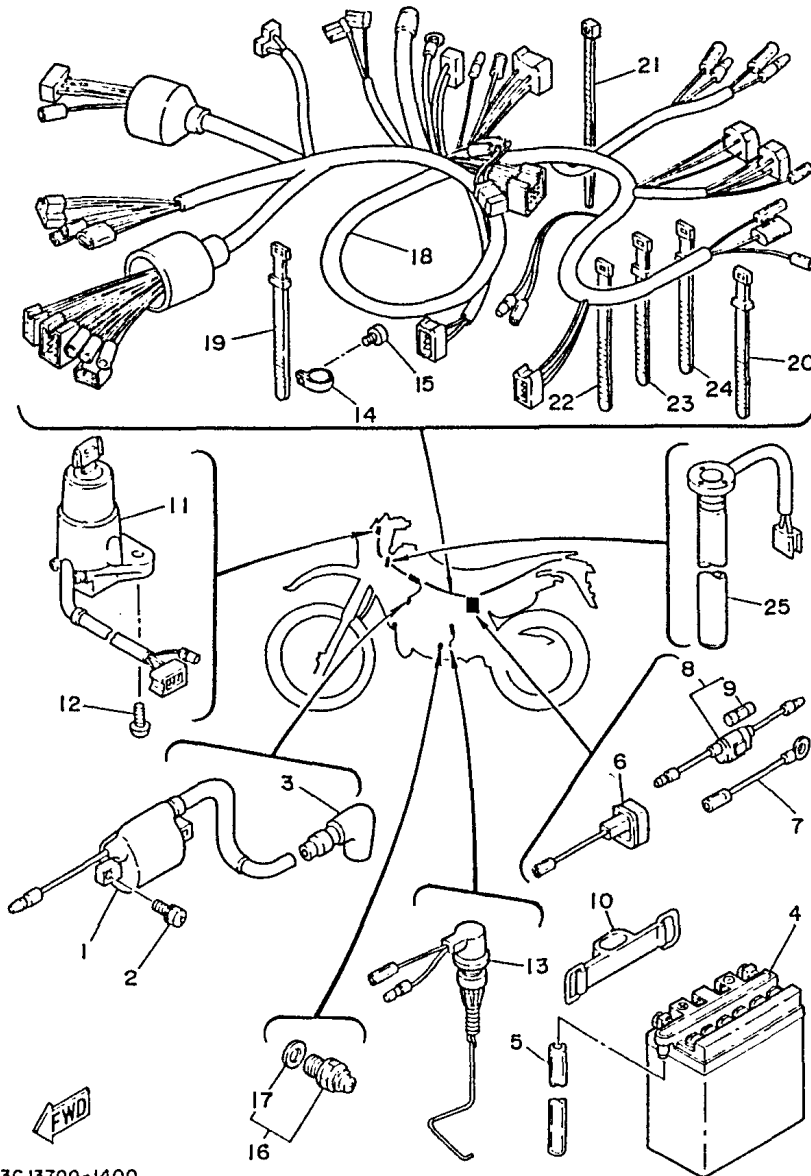
Printed 30/03/2009



Ref #	Part No	Description	Qty	Remarks
1	1LN-82911-00	HOLDER, LEVER 1	1	
2	33G-82913-00	HOLDER, LEVER LOWER 1	1	
3	1KH-83912-00	LEVER 1	1	
4	90109-06799	BOLT	1	
5	95616-06100	NUT, U	1	
6	98506-05020	P48 SCREW, PAN HEAD	2	
7	92906-05100	P55 WASHER, SPRING	2	
8	1KH-83922-01	LEVER 2	1	
9	90109-062A8	BOLT	1	
10	95616-06100	NUT, U	1	
11	90149-06153	SCREW (4L0)	1	
12	90170-06010	NUT	1	
13	90501-10312	SPRING, COMPRESSION	1	
14	34X-83980-01	FRONT STOP SWITCH ASSY	1	
15	47J-83976-01	SWITCH, HANDLE 1 J	1	
16	33G-83956-01	CAP 1 J	1	
17	98506-05020	P48 SCREW, PAN HEAD	2	
18	98906-04008	SCREW, BIND	1	
19	437-83936-01	BAND, SWITCH CORD	2	
20	3FW-83972-00	SWITCH 9 PIN(48Y = 3PIN+4PIN)	1	
21	98506-05030	SCREW, PAN HEAD (3G2)	2	
22	437-83936-01	BAND, SWITCH CORD	2	

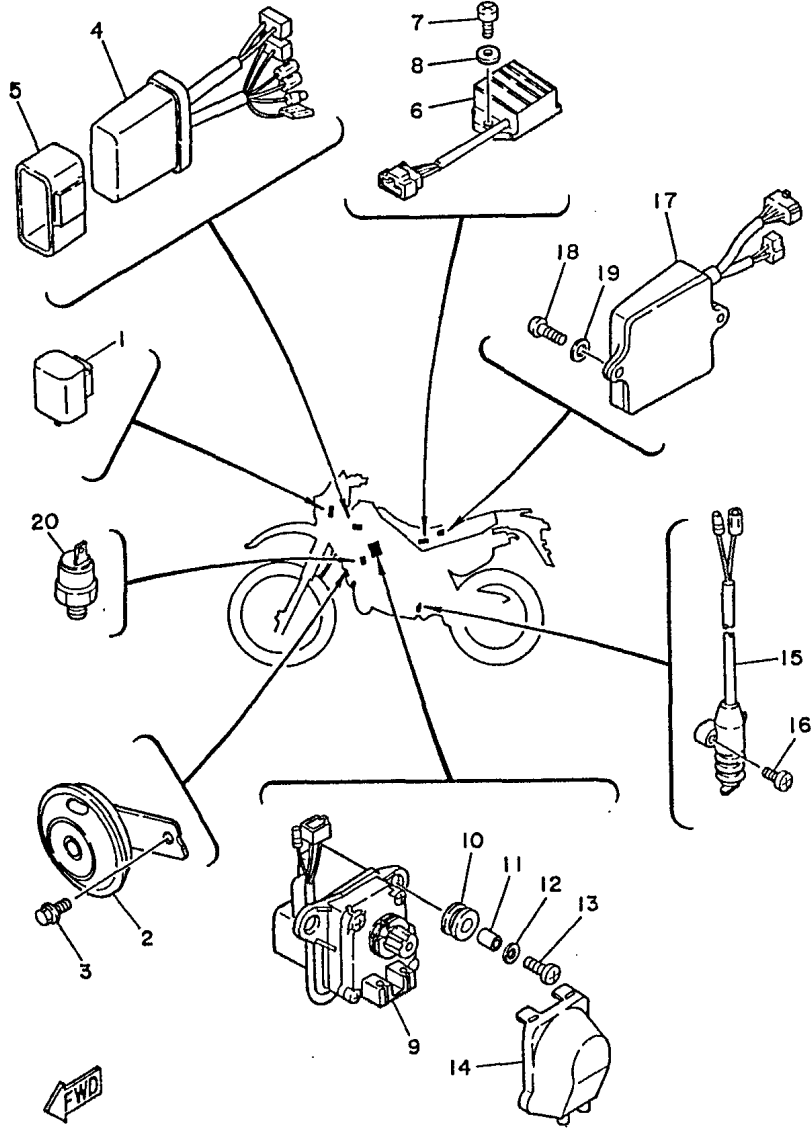


3FW010-8390



Ref #	Part No	Description	Qty	Remarks
1	2JN-82310-M0	IGNITION COIL ASSY	1	
2	90153-06059	SCREW, HEXAGON(2WG)	2	
3	2TV-82370-00	PLUG CAP ASSY	1	WITH NOISE SUPPRESSOR
4	30W-82110-79	BATT FB3L-B (F/KAWA)ADR250/350	1	
5	90445-084E3	P55 HOSE	1	
6	2RH-82115-00	WIRE, PLUS LEAD	1	
7	558-82116-00	WIRE,NEG LEAD ADR250/350	1	
8	55K-82150-00	FUSE HOLDER ASSY	1	
9	116-82151-00	FUSE (10A)	1	
10	3BN-82131-00	BAND, BATTERY	1	
11	2GK-82501-01	MAIN SWITCH STEERINJ	1	
12	90149-06228	SCREW	2	
13	3BN-82530-01	STOP SWITCH ASSY	1	
14	90462-12176	CLAMP(2WG)	1	
15	98506-05008	466 SCREW, PAN HEAD (8G5)	1	
16	2H7-82540-00	NEUTRAL SWITCH ASSY	1	
17	341-82543-00	GASKET	1	
18	3CJ-82590-00	WIRE HARNESS ASSY	1	
19	25G-83936-01	BAND, SWITCH CORD	1	
20	437-83936-01	BAND, SWITCH CORD	1	
21	12R-82591-00	P66 BAND	2	
22	437-83936-11	BAND, SWITCH CORD	2	
23	437-83936-11	BAND, SWITCH CORD	1	
24	437-83936-00	BAND, SWITCH CORD MC89007	2	
25	4U1-85720-00	OIL LEVEL GAUGE ASSY	1	

3CJ3700-1400



Ref #	Part No	Description	Qty	Remarks
1	29G-83350-20	FLASHER RELAY ASSY	1	
2	3FW-83371-00	HORN	1	
3	91026-06012	BOLT	1	
4	3ET-85540-00	CDI UNIT ASSY	1	
5	3BN-85546-00	BAND	1	
6	3BN-81960-01	RECTIFIER & REGULATOR ASSY	1	
7	98501-06012	SCREW PAN HEAD	2	
8	92990-06600	WASHER, PLATE	2	
9	3BN-85820-00	SERVO MOTOR ASSY	1	
10	90480-14023	GROMMET	2	
11	90387-06553	COLLAR	2	
12	90201-06067	P47 WASHER,PLATE (481)	2	
13	98501-06025	SCREW, PAN HEAD	2	
14	34X-85825-00	COVER, WIRE	1	
15	5Y1-82566-00	SWITCH, SIDE STAND MC89007	1	
16	90152-05021	SCREW,C/SUNK 5X16MM MC89007	2	
17	4Y3-85590-M0	CONTROL UNIT ASSY MC89007	1	
18	92501-06020	P57 SCREW, PAN HEAD MC89007	1	
19	92990-06600	WASHER, PLATE	1	
20	2TV-82560-10	THERMO SWITCH ASSY	1	

3CJ1700-8410