



PARTS CATALOGUE

WR125R (22B5) EUROPE

WR125R (22B5) ISRAEL

WR125R (22B5) TURKEY

WR125R
PARTS CATALOGUE
©2010 by MBK Industrie
1st edition, December 2010
All rights reserved.
Any reprinting or unauthorized use
without the written permission of
MBK Industrie
is expressly prohibited.
Printed in France.

FOREWORD

This Parts Catalogue is related to the parts for the model(s) on the cover page. When you are ordering replacement parts, please refer to this Parts Catalogue and quote both part numbers and part names correctly.

1. Modifications or additions which have been made after the issue of the Parts Catalogue will be announced in the Parts News.

It is advisable that you make the necessary corrections to the Parts Catalogue according to the Parts News.

2. Abbreviations

The following abbreviations are used in this Parts Catalogue.

“UR” Use specified parts number.

“UN” Use as many as needed.

“AP” Alternate Parts

“LM” Locally Made (Parts need to be ordered locally)

“F#” Frame No. (Applicable machine No.)

“O/S” Over Size

3. The number of components for assembly

- Parts, which are to be supplied in an assembly, are listed with a dot (.) in front of the part name as shown below.
- The numeral appearing to the right of each component part indicates the quantity of parts for each assembly unit.

PART NO.	DESCRIPTION	Q'TY	REMARKS
2F5-83310-60	FRONT FLASHER LIGHT ASSY	2	
115-83311-60	.BULB (6V-18W)	1	

4. Applicable colours of graphics are represented in the “REMARKS” as shown below.

PART NO.	DESCRIPTION	Q'TY	REMARKS
2N4-24110-00-X5	FUEL TANK COMP.	2	MXR
3J1-24240-10	.GRAPHIC, FUEL TANK	1	FOR MXR

5. Note that the illustrations for reference in finding parts numbers are not to be used for assembling. When assembling, please use the applicable service manual.

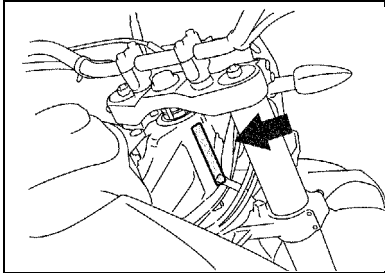
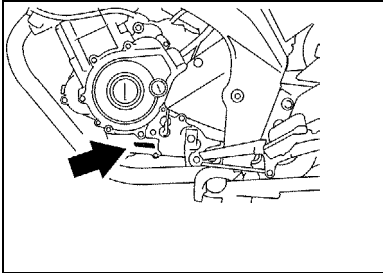
6. The asterisk (*) before a reference number indicates modified items after the first edition.

FOREWORD

7. Applicable Serial No.

Engine Serial No.

Frame Serial No.



8. Applicable Colour Code (The (*) mark shows Model colour.)

Abbreviation	Colour Name	Colour Code
DPBSE(*)	DEEP PURPLISH BLUE SOLID E	0583
MBL2	MAT BLACK 2	0582
PWS1(*)	PURPLISH WHITE SOLID 1	0206
S3	SILVER 3	0791

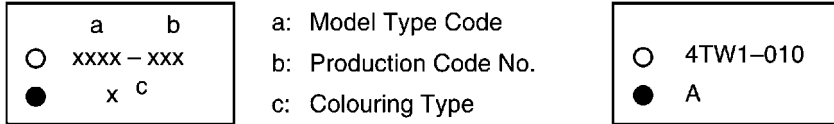
9. Quantity Column Information

Column No.	Name Of Q'ty Column	Destination
1	01	010 - 020
2	02	030 - 080
3	03	040
4	04	060 - 070
5	05	050

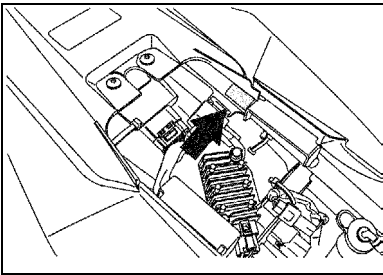
MODEL LABEL

(1) A label called "Model Label" is affixed in the location as indicated in (3) below. When using this parts catalogue, please be sure to cross-reference the "model code – production code No." in the catalogue with the "model code – production code No." indicated on the Model Label affixed onto the product concerned.

(2) "Model Label" Indication



(3) Model Label Affixing Location



(4) Colouring Information

Model Code	Colouring Type Code	Colour Code	Colour Name	Abbreviation
22B5	A	0583	DEEP PURPLISH BLUE SOLID E	DPBSE
	B	0206	PURPLISH WHITE SOLID 1	PWS1

(5) Model Code – Production Code Number of Model Listed in This Parts Catalogue

Model Code	Production Code No.	Country (destination)	Model Code	Production Code No.	Country (destination)
22B5	010	AUSTRIA			
		FRANCE			
		GERMANY			
		ITALY			
	020	SWITZERLAND			
		BELGIUM			
	030	NETHERLANDS			
		CZECHO			
		DENMARK			
		HUNGARY			
		NORWAY			
	040	SWEDEN			
		SPAIN			
	050	FINLAND			
		GREECE			
		ISRAEL			
		POLAND			
		SLOVENIA			
TURKEY					
060	UKRAINE				
	UNITED KINGDOM				
	070	IRELAND			
080	PORTUGAL				

CONTENTS

ENGINE

CYLINDER HEAD	1
CRANKSHAFT & PISTON	2
VALVE	3
CAMSHAFT & CHAIN	4
WATER PUMP	5
RADIATOR & HOSE	6
OIL PUMP	8
INTAKE	9
EXHAUST	11
CRANKCASE	12
CRANKCASE COVER 1	13
STARTER CLUTCH	14
CLUTCH	15
TRANSMISSION	17
SHIFT CAM & FORK	19
SHIFT SHAFT	20

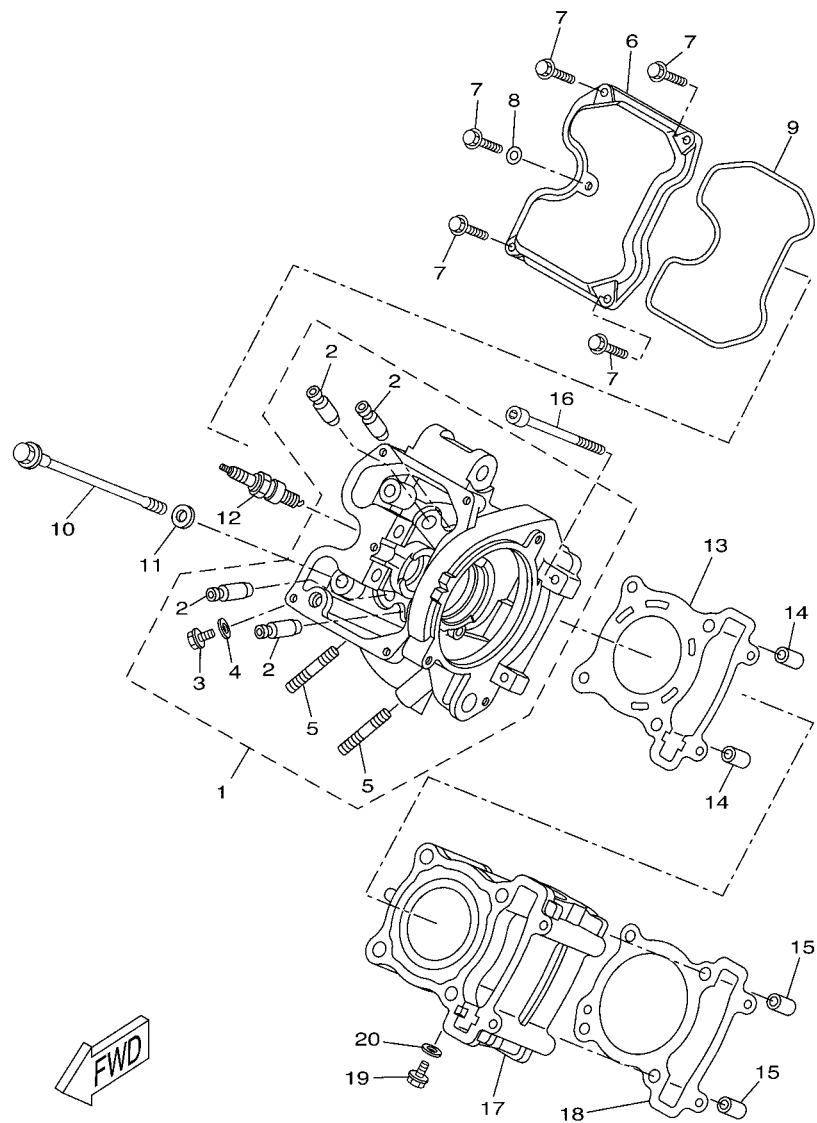
CHASSIS

FRAME	21
FENDER	23
SIDE COVER	25
REAR ARM	26
REAR SUSPENSION	27
STEERING 2	28
FRONT FORK 2	29
FUEL TANK	31
SEAT	33
FRONT WHEEL	34
FRONT BRAKE CALIPER	35
REAR WHEEL	36
REAR BRAKE CALIPER	38
STEERING HANDLE & CABLE	39
FRONT MASTER CYLINDER	40
STAND & FOOTREST	41
REAR MASTER CYLINDER	43
COWLING 1	45
GENERATOR	46
STARTING MOTOR	47
FLASHER LIGHT	48
METER	49
HEADLIGHT	50

TAILLIGHT	51
HANDLE SWITCH & LEVER	52
ELECTRICAL 1	53
ELECTRICAL 2	55

INDEX

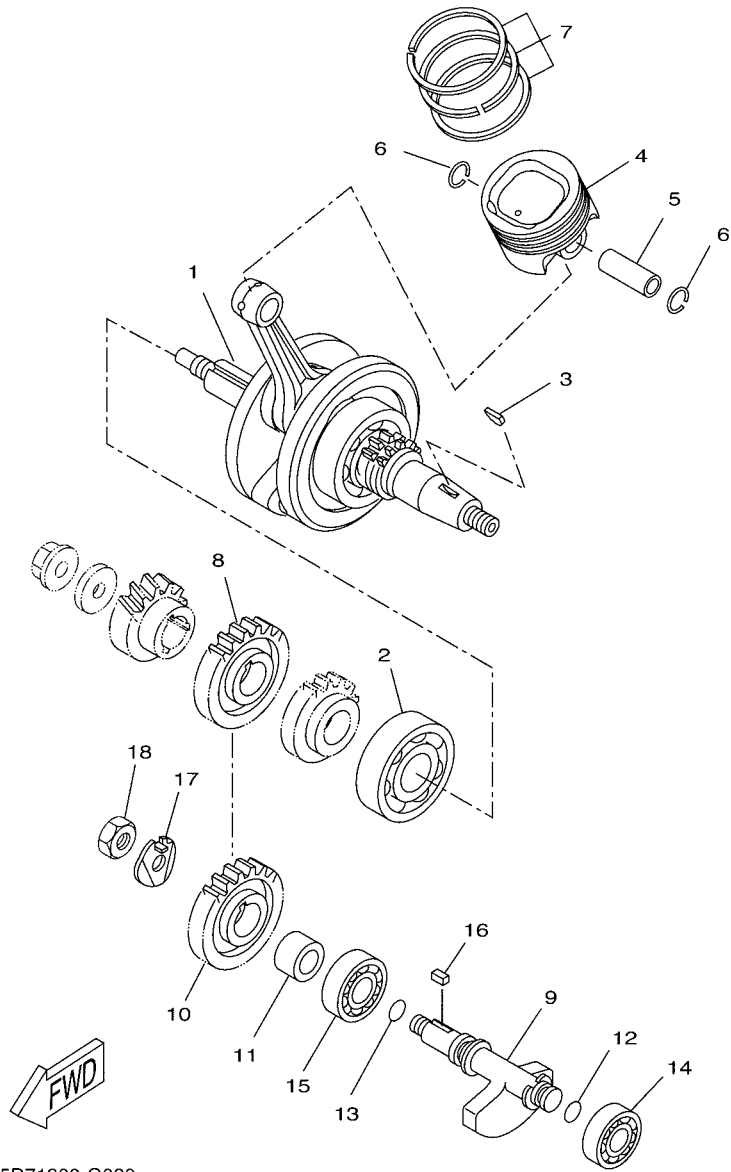
NUMERICAL INDEX	56
-----------------------	----



5D71300-G010

FIG. 1 CYLINDER HEAD

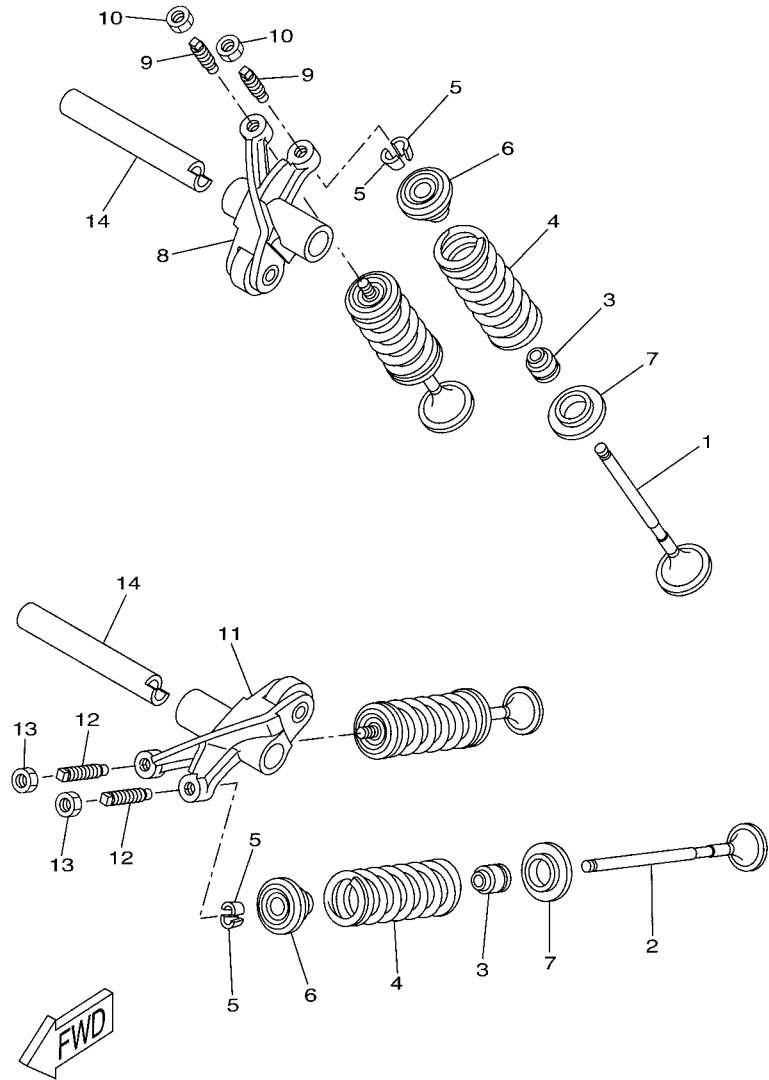
REF. NO.	PART NO.	DESCRIPTION	01	02	03	04	05	REMARKS
1	22B-E1101-10	CYLINDER HEAD ASSY	1	1	1	1	1	
2	1S7-E1133-10	.GUIDE, VALVE 1	4	4	4	4	4	
3	90105-06X04	.BOLT, FLANGE	1	1	1	1	1	(M6x10)
4	90430-06X00	.GASKET	1	1	1	1	1	
5	90116-08X03	.BOLT, STUD	2	2	2	2	2	
6	22B-E1191-00	COVER, CYLINDER HEAD 1	1	1	1	1	1	
7	90105-06X33	BOLT, FLANGE	5	5	5	5	5	
8	90430-06X00	GASKET	1	1	1	1	1	
9	5YP-E1193-00	GASKET, HEAD COVER 1	1	1	1	1	1	
10	90105-08850	BOLT, FLANGE	4	4	4	4	4	
11	90201-08X21	WASHER, PLATE	4	4	4	4	4	
12	94701-00X00	PLUG, SPARK (NGK CR8E)	1	1	1	1	1	
13	1B9-E1181-01	GASKET, CYLINDER HEAD 1	1	1	1	1	1	
14	91810-14X00	PIN, DOWEL	2	2	2	2	2	
15	91810-14X00	PIN, DOWEL	2	2	2	2	2	
16	91317-06100	BOLT	2	2	2	2	2	
17	22B-E1311-10	CYLINDER 1	1	1	1	1	1	
18	1S7-E1351-00	GASKET, CYLINDER	1	1	1	1	1	
19	90105-06X04	BOLT, FLANGE	1	1	1	1	1	(M6x10)
20	90430-06X00	GASKET	1	1	1	1	1	



5D71300-G020

FIG. 2 CRANKSHAFT & PISTON

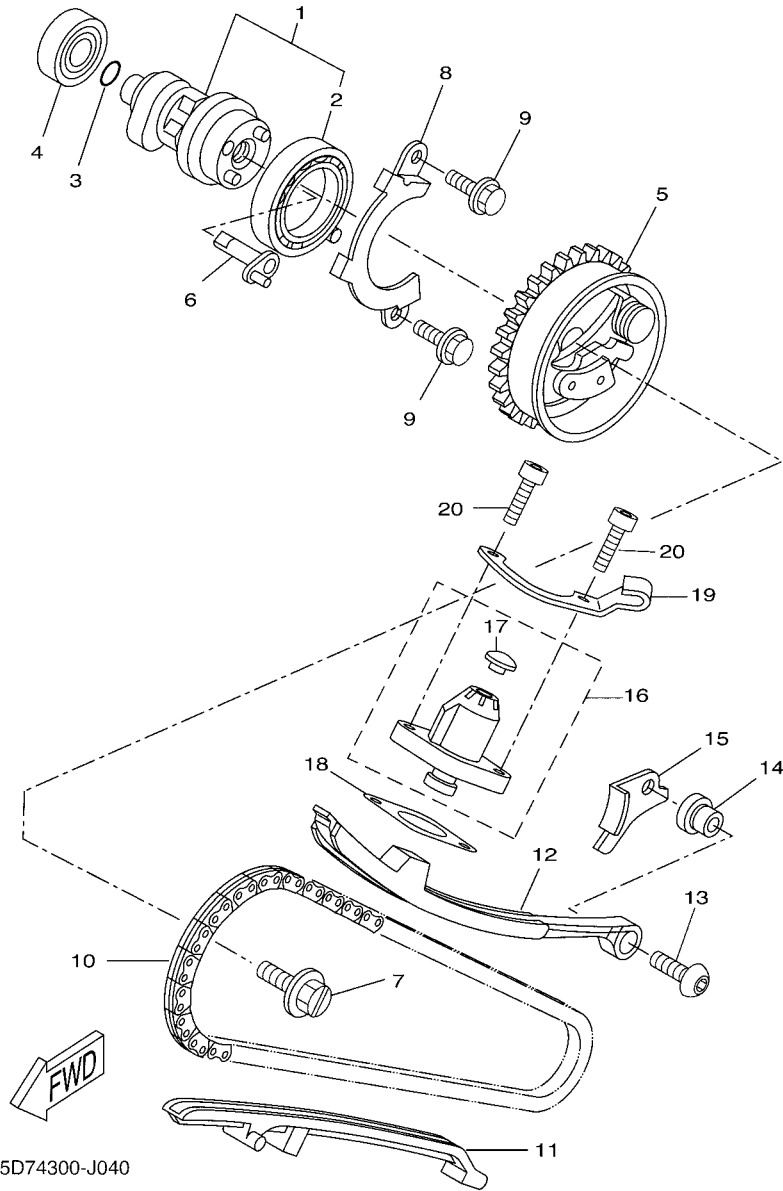
REF. NO.	PART NO.	DESCRIPTION	01	02	03	04	05	REMARKS
1	5D7-WE140-11	CRANKSHAFT ASSY	1	1	1	1	1	
2	93306-305X7	BEARING	1	1	1	1	1	
3	90280-03X00	KEY, WOODRUFF	1	1	1	1	1	
4	5D7-E1631-01	PISTON (STD)	1	1	1	1	1	
5	5YP-E1633-00	PIN, PISTON	1	1	1	1	1	
6	93450-16115	CIRCLIP	2	2	2	2	2	
7	1B9-11603-00	PISTON RING SET (STD)	1	1	1	1	1	
8	5D7-E1536-00	GEAR, DRIVE	1	1	1	1	1	
9	5D7-E1454-00	WEIGHT 1	1	1	1	1	1	
10	5D7-E1531-00	GEAR, BALANCE WEIGHT	1	1	1	1	1	
11	90387-15810	COLLAR	1	1	1	1	1	
12	93210-11806	O-RING	1	1	1	1	1	
13	93210-13X00	O-RING	1	1	1	1	1	
14	93306-20221	BEARING	1	1	1	1	1	
15	93306-20335	BEARING	1	1	1	1	1	
16	90282-05031	KEY, STRAIGHT	1	1	1	1	1	
17	90215-10284	WASHER, LOCK	1	1	1	1	1	
18	90170-10804	NUT	1	1	1	1	1	



5D71300-G030

FIG. 3 VALVE

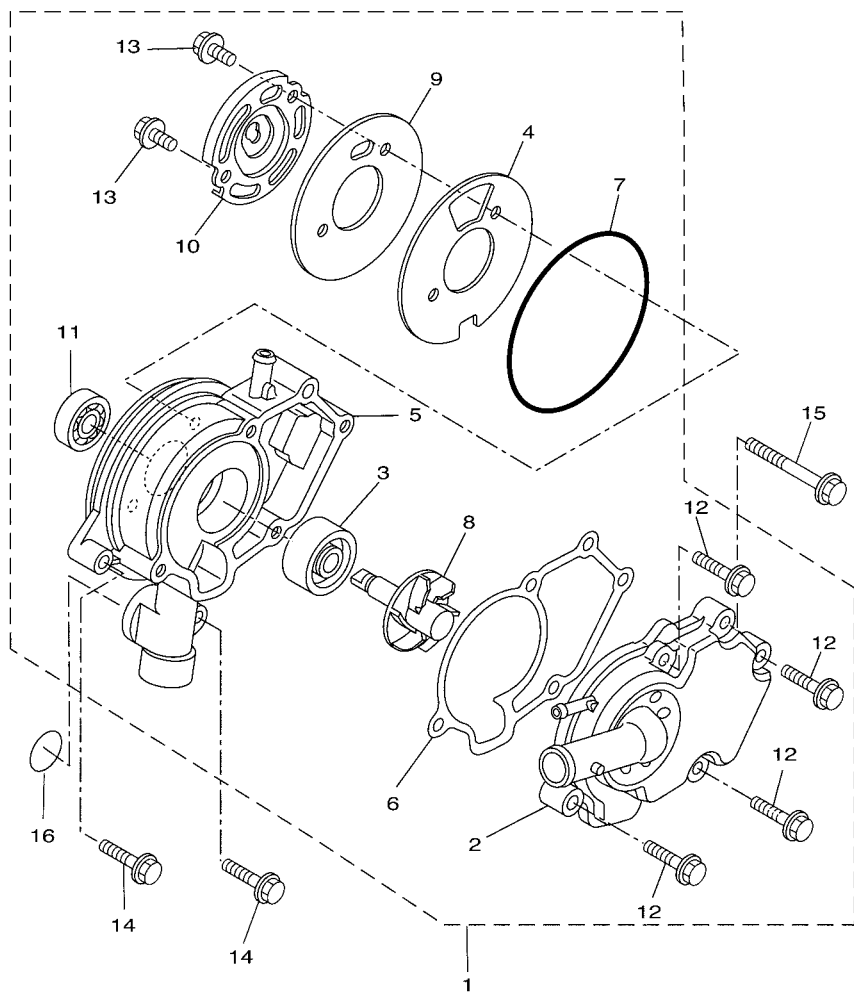
REF. NO.	PART NO.	DESCRIPTION	01	02	03	04	05	REMARKS
1	5YP-E2111-00	VALVE, INTAKE	2	2	2	2	2	
2	1B9-E2121-00	VALVE, EXHAUST	2	2	2	2	2	
3	5YP-E2119-00	SEAL, VALVE STEM	4	4	4	4	4	
4	3C1-E2113-00	SPRING, VALVE INNER	4	4	4	4	4	
5	1WG-12118-00	COTTER, VALVE	8	8	8	8	8	
6	5YP-12117-00	RETAINER, VALVE SPRING	4	4	4	4	4	
7	5YP-E2126-00	SEAT, VALVE SPRING 2	4	4	4	4	4	
8	1B9-E2151-00	ARM, VALVE ROCKER	1	1	1	1	1	
9	1B9-E2159-00	SCREW, VALVE ADJUSTING	2	2	2	2	2	
10	90170-05X01	NUT	2	2	2	2	2	
11	1B9-E2161-00	ARM, VALVE ROCKER 2	1	1	1	1	1	
12	1B9-E2159-00	SCREW, VALVE ADJUSTING	2	2	2	2	2	
13	90170-05X01	NUT	2	2	2	2	2	
14	5YP-E2156-00	SHAFT, ROCKER 2	2	2	2	2	2	



5D74300-J040

FIG. 4 CAMSHAFT & CHAIN

REF. NO.	PART NO.	DESCRIPTION	01	02	03	04	05	REMARKS
1	5D7-WE211-00	CAM SHAFT ASSY	1	1	1	1	1	
2	93306-906Y0	.BEARING	1	1	1	1	1	
3	93210-09806	O-RING	1	1	1	1	1	
4	93306-001X2	BEARING	1	1	1	1	1	
5	3C1-E2280-00	DECOMPRESSION ASSY	1	1	1	1	1	
6	5YP-E2288-00	CAM, DECOMPRESSION	1	1	1	1	1	
7	5YP-E2157-00	BOLT	1	1	1	1	1	
8	1B9-E111F-00	PLATE	1	1	1	1	1	
9	95027-06010	BOLT, FLANGE	2	2	2	2	2	
10	94568-A8096	CHAIN	1	1	1	1	1	
11	1B9-E2231-00	GUIDE, STOPPER 1	1	1	1	1	1	
12	1B9-E2241-00	GUIDE, STOPPER 2	1	1	1	1	1	
13	90149-06829	SCREW	1	1	1	1	1	
14	5D7-E5598-00	COLLAR	1	1	1	1	1	
15	5D7-E2256-00	COVER, CHAIN	1	1	1	1	1	
16	1B9-E2210-00	TENSIONER ASSY, CAM CHAIN	1	1	1	1	1	
17	5MX-E2222-00	.PLUG	1	1	1	1	1	
18	5VV-E2213-01	GASKET, TENSIONER CASE	1	1	1	1	1	
19	22B-E5441-00	HOLDER, CLUTCH CABLE	1	1	1	1	1	
20	91317-06020	BOLT	2	2	2	2	2	

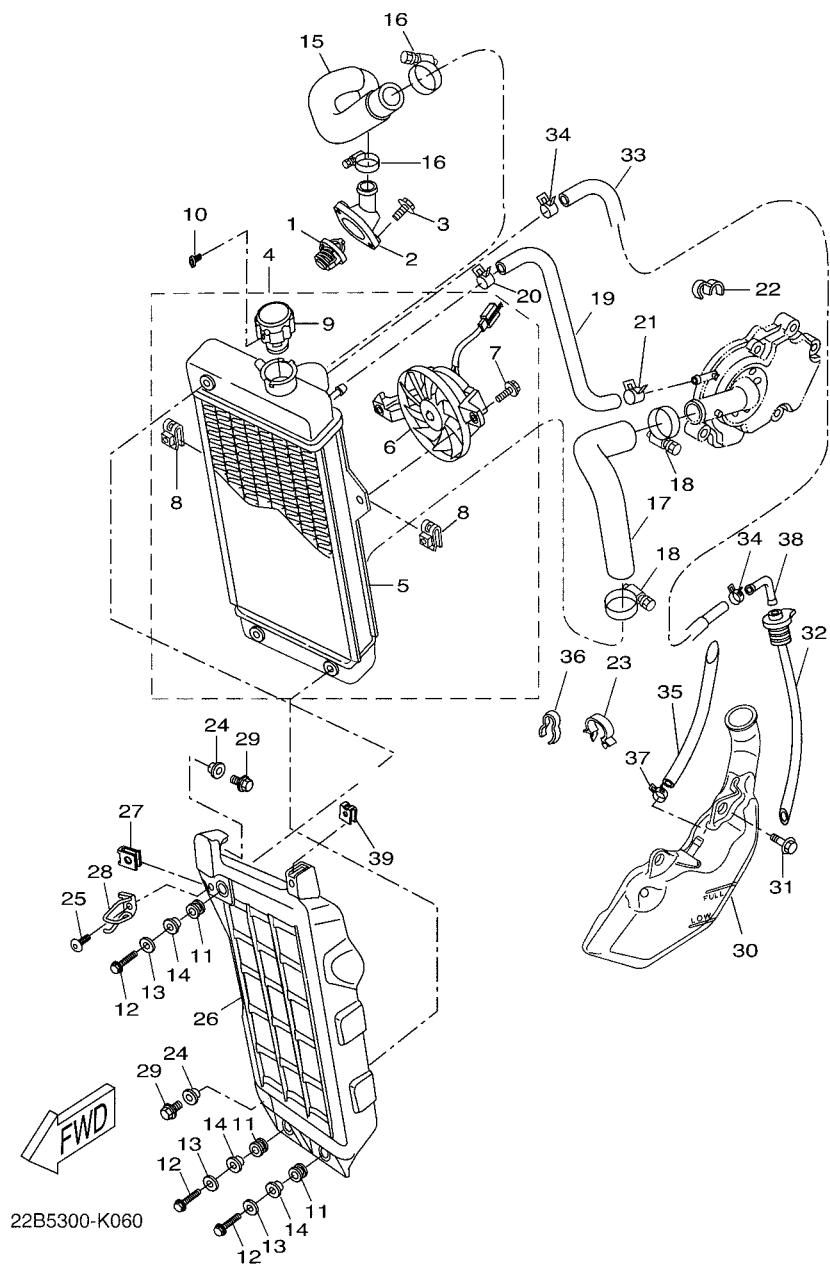


22B1300-H050

FIG. 5 WATER PUMP

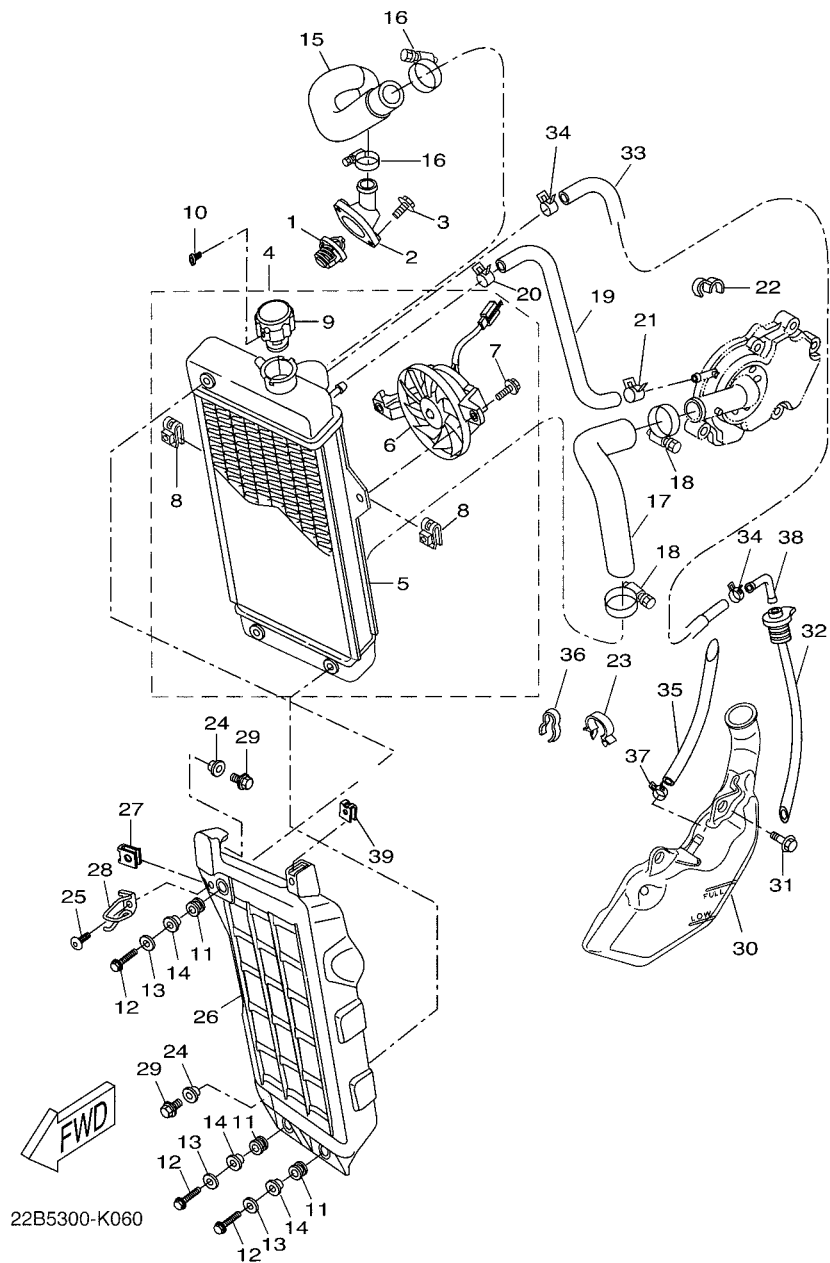
REF. NO.	PART NO.	DESCRIPTION	01	02	03	04	05	REMARKS
1	22B-E2420-00	WATER PUMP ASSY	1	1	1	1	1	
2	22B-E2422-00	.COVER, HOUSING	1	1	1	1	1	
3	93103-10801	.OIL SEAL	1	1	1	1	1	
4	1S7-E2428-00	.GASKET, HOUSING COVER 2	1	1	1	1	1	
5	22B-E1185-00	.COVER, CYLINDER HEAD SIDE 3	1	1	1	1	1	
6	1S7-E1196-00	.GASKET, CYLINDER HEAD SIDE	1	1	1	1	1	
7	93210-84801	.O-RING	1	1	1	1	1	
8	1S7-E2450-00	.IMPELLER SHAFT ASSY	1	1	1	1	1	
9	1S7-E1951-00	.PLATE	1	1	1	1	1	
10	1S7-E1952-01	.PLATE	1	1	1	1	1	
11	93306-000Y3	.BEARING	1	1	1	1	1	
12	95027-06025	.BOLT, FLANGE	4	4	4	4	4	
13	95027-06012	.BOLT, FLANGE	2	2	2	2	2	
14	90105-06X35	BOLT, FLANGE	2	2	2	2	2	
15	90105-06X30	BOLT, FLANGE	1	1	1	1	1	
16	93210-19X00	O-RING	1	1	1	1	1	

FIG. 6 RADIATOR & HOSE

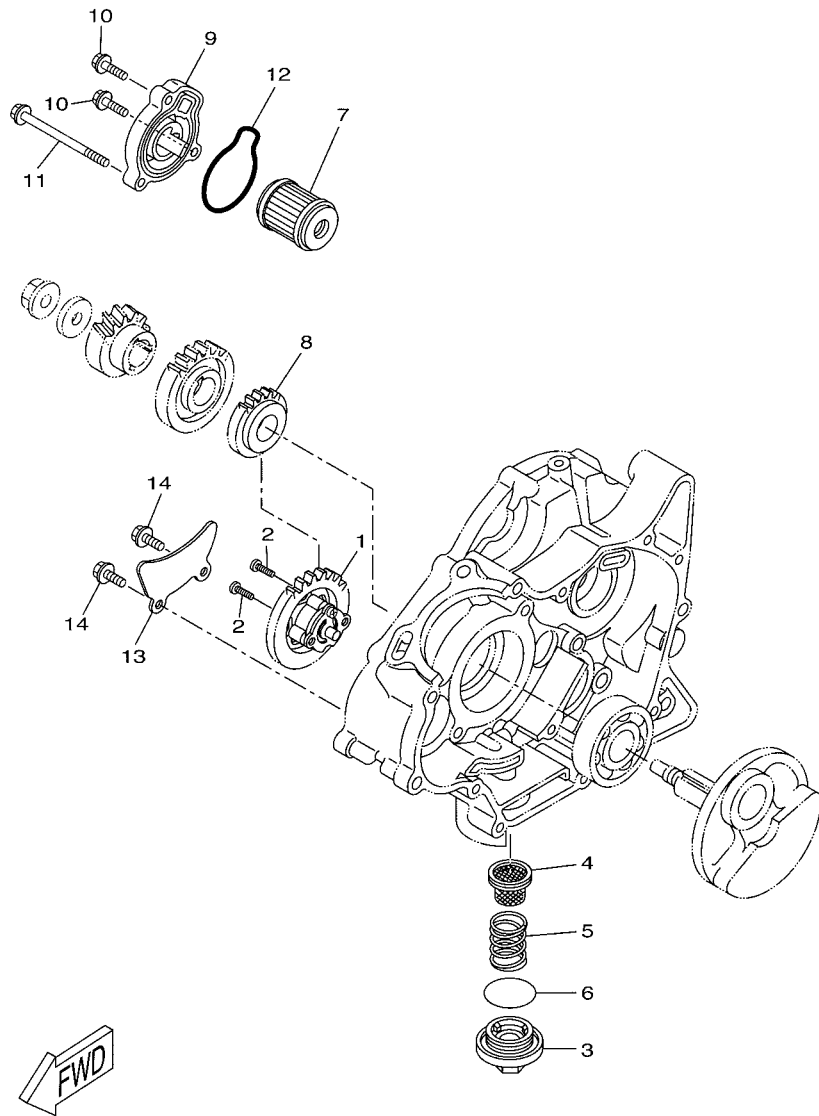


REF. NO.	PART NO.	DESCRIPTION	01	02	03	04	05	REMARKS
1	5YP-12411-00	THERMOSTAT	1	1	1	1	1	
2	22B-E2413-00	COVER, THERMOSTAT	1	1	1	1	1	
3	90105-06X33	BOLT, FLANGE	2	2	2	2	2	
4	22B-E240A-10	RADIATOR ASSY	1	1	1	1	1	
5	22B-E2461-10	.RADIATOR COMP	1	1	1	1	1	
6	5YP-E2405-00	.BLOWER ASSY	1	1	1	1	1	
7	5YP-E2675-00	.BOLT, BLOWER HOLDING	2	2	2	2	2	
8	5YP-E2671-00	.NUT 1	2	2	2	2	2	
9	3D7-12462-00	.CAP, RADIATOR	1	1	1	1	1	
10	91317-03006	BOLT	1	1	1	1	1	
11	90480-18276	GROMMET	3	3	3	3	3	
12	97007-06020	BOLT	3	3	3	3	3	
13	92907-06600	WASHER, PLATE	3	3	3	3	3	
14	90387-068R3	COLLAR	3	3	3	3	3	
15	22B-E2578-00	HOSE 3	1	1	1	1	1	
16	90450-27X01	HOSE CLAMP ASSY	2	2	2	2	2	
17	22B-E2579-00	HOSE 4	1	1	1	1	1	
18	90450-27X01	HOSE CLAMP ASSY	2	2	2	2	2	
19	90445-10X02	HOSE	1	1	1	1	1	
20	90467-11090	CLIP	1	1	1	1	1	
21	90467-11090	CLIP	1	1	1	1	1	
22	90464-09M31	CLAMP	1	1	1	1	1	
23	90464-12X01	CLAMP	1	1	1	1	1	
24	90387-08X09	COLLAR	2	2	2	2	2	
25	90111-06X17	BOLT,HEX. SOCKET BUTTON	1	1	1	1	1	
26	22B-F172K-10	BRACKET 1	1	1	1	1	1	
27	90183-06X00	NUT, SPRING	1	1	1	1	1	

FIG. 6 RADIATOR & HOSE



REF. NO.	PART NO.	DESCRIPTION	01	02	03	04	05	REMARKS
28	22B-F637G-00	HOLDER, WIRE	1	1	1	1	1	
29	95817-08014	BOLT, FLANGE	2	2	2	2	2	
30	22B-F1871-10	TANK, RECOVERY	1	1	1	1	1	
31	90109-06X05	BOLT	2	2	2	2	2	
32	5TG-21875-00	CAP	1	1	1	1	1	
33	22B-F1826-00	PIPE, BREATHER	1	1	1	1	1	
34	90467-11090	CLIP	2	2	2	2	2	
35	22B-F1877-00	PIPE, OVERFLOW	1	1	1	1	1	
36	90464-15065	CLAMP	1	1	1	1	1	
37	90467-11090	CLIP	1	1	1	1	1	
38	26H-21828-00	ELBOW	1	1	1	1	1	
39	90183-060A6	NUT, SPRING	1	1	1	1	1	



5D71300-G070

FIG. 7 OIL PUMP

REF. NO.	PART NO.	DESCRIPTION	01	02	03	04	05	REMARKS
1	3C1-E3300-00	OIL PUMP ASSY	1	1	1	1	1	
2	98507-05025	SCREW, PAN HEAD	2	2	2	2	2	
3	5DS-E5351-00	PLUG, DRAIN	1	1	1	1	1	
4	51Y-13411-00	STRAINER, OIL	1	1	1	1	1	
5	90501-18X00	SPRING, COMPRESSION	1	1	1	1	1	
6	93210-35X01	O-RING	1	1	1	1	1	
7	5YP-E3440-00	ELEMENT ASSY, OIL CLEANER	1	1	1	1	1	
8	3C1-E3324-00	GEAR, PUMP DRIVE	1	1	1	1	1	
9	5D7-E3447-00	COVER, OIL ELEMENT	1	1	1	1	1	
10	90105-06X33	BOLT, FLANGE	2	2	2	2	2	
11	90105-06X27	BOLT, FLANGE	1	1	1	1	1	
12	93210-53801	O-RING	1	1	1	1	1	
13	5D7-E3327-00	COVER, PUMP GEAR	1	1	1	1	1	
14	90105-06X34	BOLT, FLANGE	2	2	2	2	2	

FIG. 8 INTAKE

REF. NO.	PART NO.	DESCRIPTION	01	02	03	04	05	REMARKS
1	3C1-E3585-00	MANIFOLD	1	1	1	1	1	
2	3C1-E3556-00	GASKET, MANIFOLD	1	1	1	1	1	
3	5PX-13569-00	PLUG, BLIND	1	1	1	1	1	
4	90467-08075	CLIP	1	1	1	1	1	
5	90430-09801	GASKET	1	1	1	1	1	
6	3C1-E3586-00	JOINT, CARBURETOR 1	1	1	1	1	1	
7	93210-32807	O-RING	1	1	1	1	1	
8	90149-06X02	SCREW	2	2	2	2	2	
9	5D7-13770-00	INJECTOR ASSY	1	1	1	1	1	
10	5CA-14147-00	.O-RING	1	1	1	1	1	
11	22B-13971-00	PIPE, FUEL 1	1	1	1	1	1	
12	95817-06030	BOLT, FLANGE	1	1	1	1	1	
13	5D7-E3750-01	THROTTLE BODY ASSY	1	1	1	1	1	
14	5JW-14104-00	.AIR SCREW SET	1	1	1	1	1	
15	2S5-1410H-00	.FUEL CUT SOLENOID VALVE	1	1	1	1	1	
16	1S4-14216-00	.SCREW	1	1	1	1	1	
17	1B9-13575-00	BAND	2	2	2	2	2	
18	22B-E4293-00	COVER 1	1	1	1	1	1	
19	90269-04025	RIVET	2	2	2	2	2	
20	22B-E4411-00	CASE, AIR CLEANER 1	1	1	1	1	1	
21	5D7-E4412-01	CAP, CLEANER CASE 1	1	1	1	1	1	
22	3C1-E4450-00	ELEMENT ASSY, AIR CLEANER	1	1	1	1	1	
23	22B-E4453-00	JOINT, AIR CLEANER 1	1	1	1	1	1	
24	3C1-E4452-00	SEAL	2	2	2	2	2	
25	90163-05803	SCREW, TAPPING	4	4	4	4	4	
26	5TL-E443E-00	PIPE, DRAIN	1	1	1	1	1	
27	90467-12800	CLIP	1	1	1	1	1	

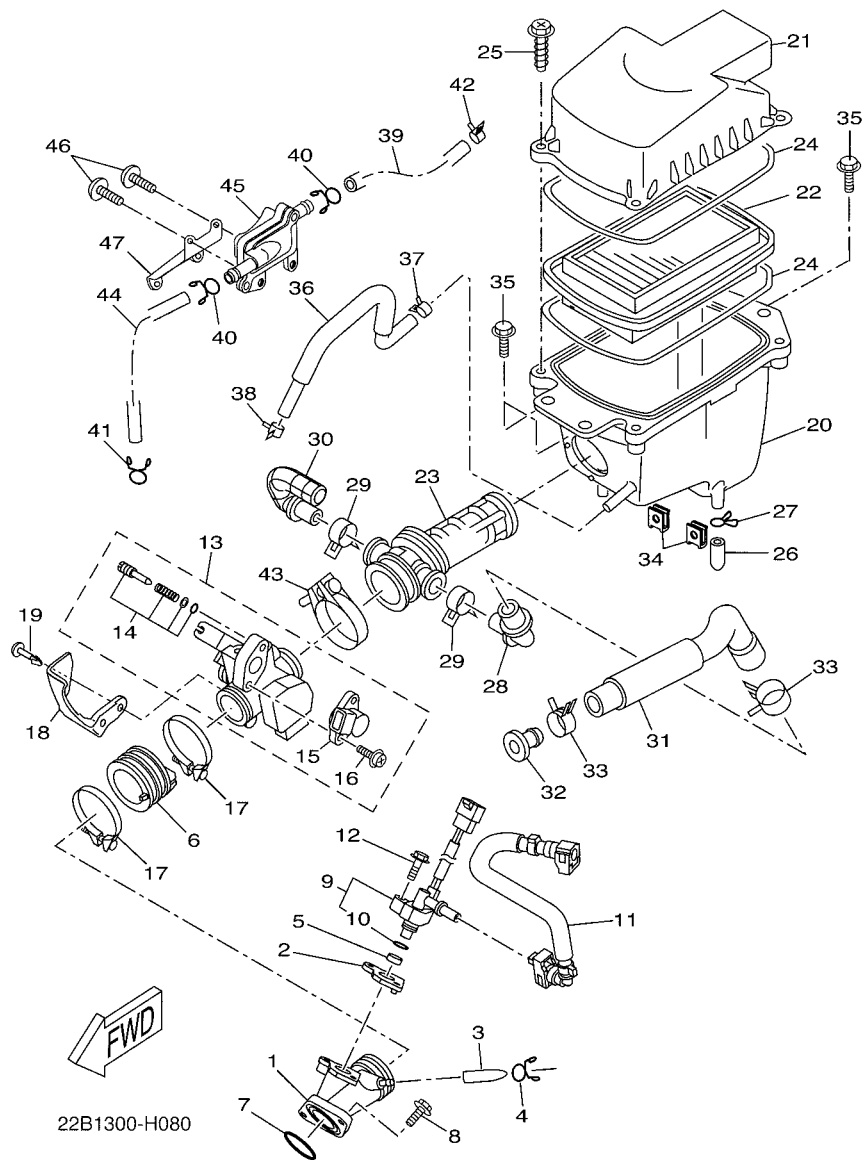
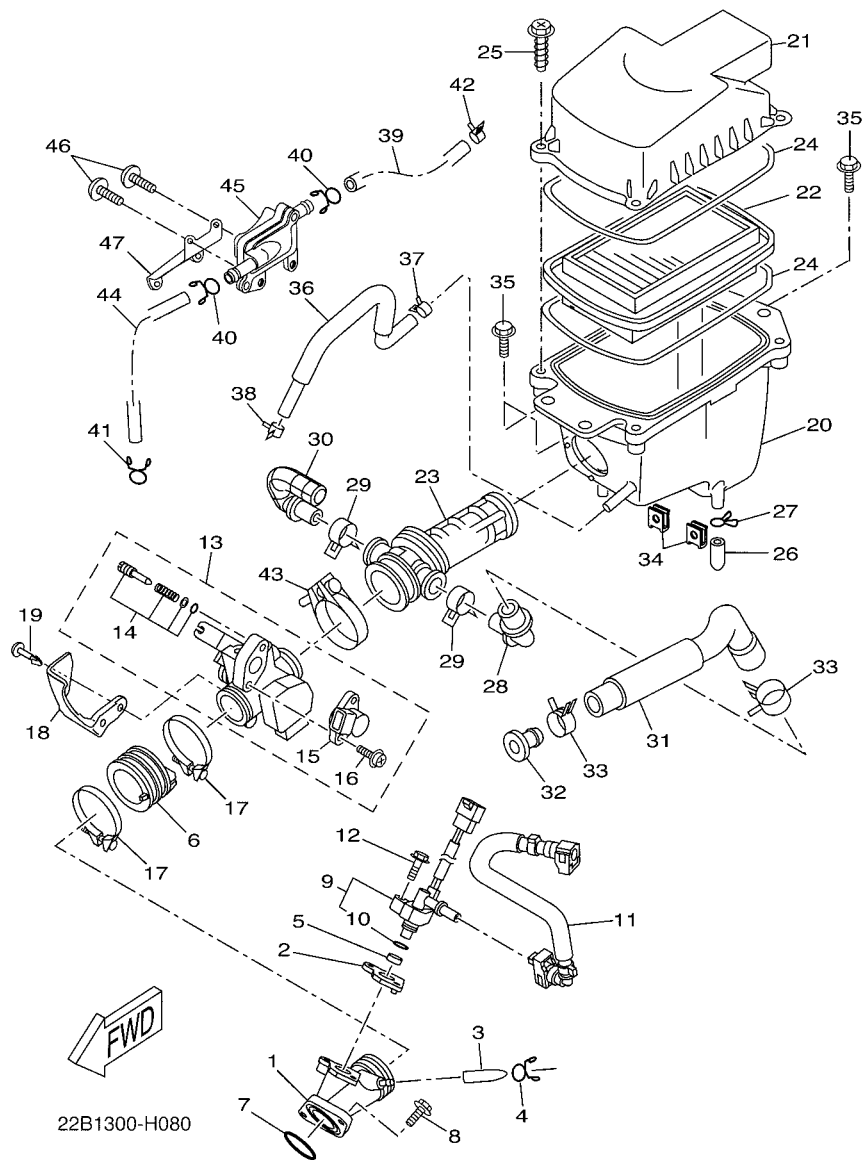


FIG. 8 INTAKE

REF. NO.	PART NO.	DESCRIPTION	01	02	03	04	05	REMARKS
28	3C1-E4485-00	PIPE, JOINT	1	1	1	1	1	
29	90467-20050	CLIP	2	2	2	2	2	
30	3C1-E4419-00	PIPE	1	1	1	1	1	
31	22B-E441J-00	PIPE, SILENCER	1	1	1	1	1	
32	90338-16008	PLUG	1	1	1	1	1	
33	90467-23059	CLIP	2	2	2	2	2	
34	90183-060A6	NUT, SPRING	2	2	2	2	2	
35	90109-06X05	BOLT	4	4	4	4	4	
36	22B-E1166-00	PIPE, BREATHER 1	1	1	1	1	1	
37	90467-13064	CLIP	1	1	1	1	1	
38	90467-13064	CLIP	1	1	1	1	1	
39	22B-E4882-00	HOSE, BEND 2	1	1	1	1	1	
40	90467-14015	CLIP	2	2	2	2	2	
41	90467-14015	CLIP	1	1	1	1	1	
42	90467-14117	CLIP	1	1	1	1	1	
43	90450-39802	HOSE CLAMP ASSY	1	1	1	1	1	
44	22B-E4881-00	HOSE, BEND 1	1	1	1	1	1	
45	5GD-14803-00	AIR INDUCTION SYSTEM ASSY	1	1	1	1	1	
46	92017-06012	BOLT, BUTTON HEAD	2	2	2	2	2	
47	5D7-E5199-00	BRACKET	1	1	1	1	1	



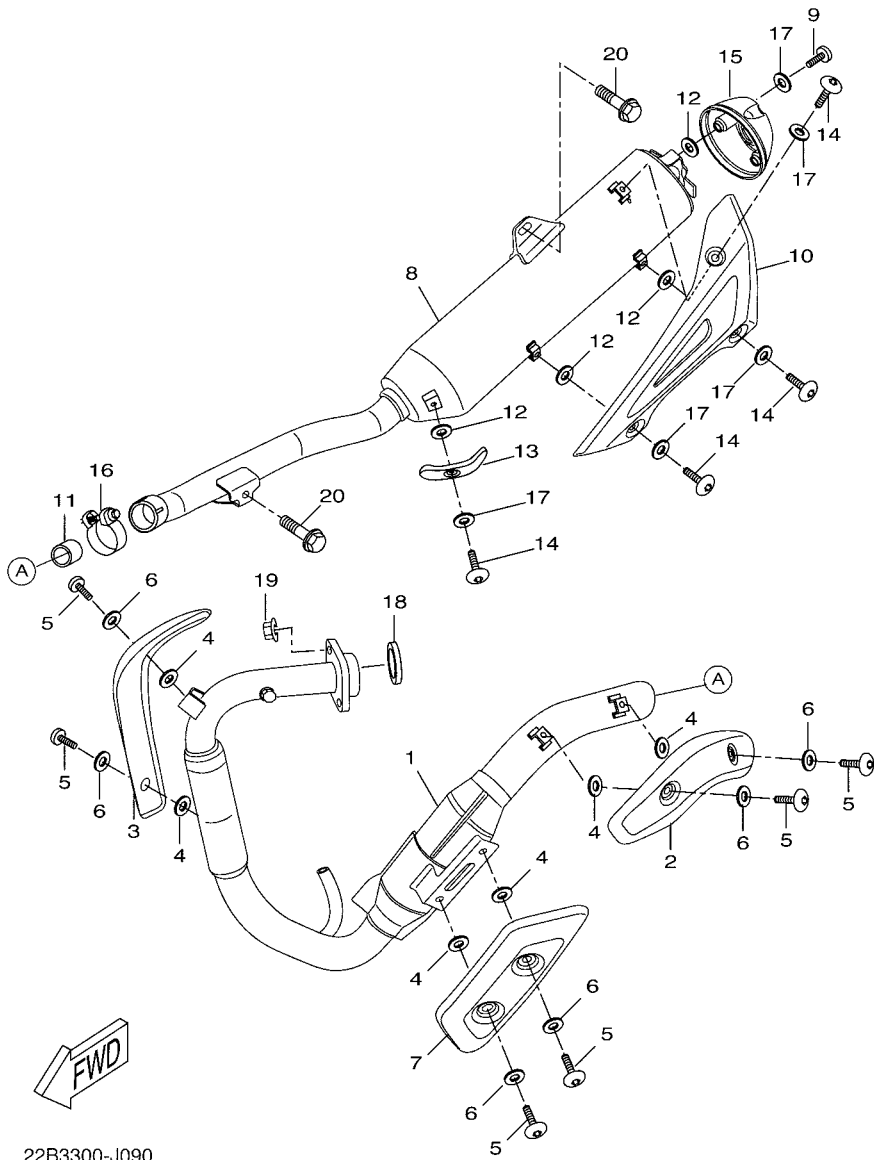
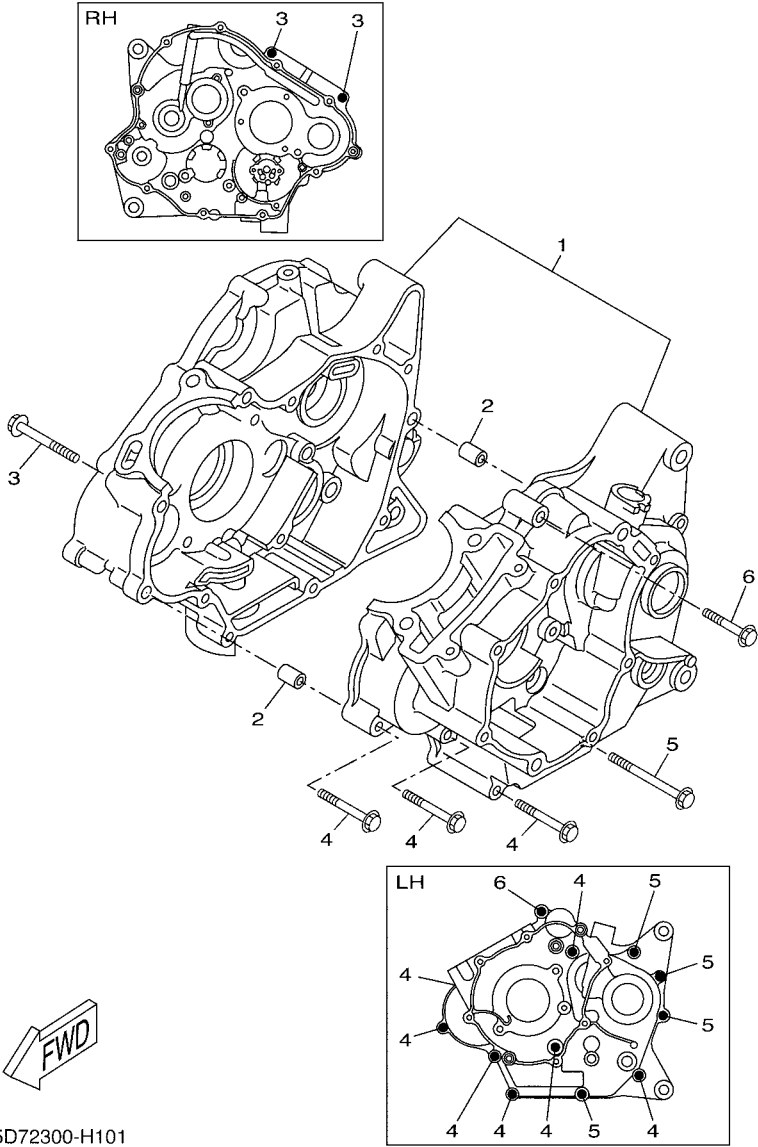


FIG. 9 EXHAUST

REF. NO.	PART NO.	DESCRIPTION	01	02	03	04	05	REMARKS
1	22B-E4611-00	PIPE, EXHAUST 1	1	1	1	1	1	
2	22B-E4603-00	COVER 1	1	1	1	1	1	
3	22B-E4628-00	PROTECTOR, EXHAUST PIPE	1	1	1	1	1	
4	90201-05015	WASHER, PLATE	6	6	6	6	6	
5	90111-06X22	BOLT, HEX. SOCKET BUTTON	6	6	6	6	6	
6	92902-06600	WASHER, PLATE	6	6	6	6	6	
7	22B-E4624-00	COVER, EXHAUST	1	1	1	1	1	
8	22B-E4703-01	MUFFLER COMP. 1	1	1	1	1	1	
9	90111-06020	BOLT, HEX. SOCKET BUTTON	3	3	3	3	3	
10	22B-E4718-00	PROTECTOR, MUFFLER 1	1	1	1	1	1	
11	4EL-14714-00	GASKET, MUFFLER	1	1	1	1	1	
12	90201-05015	WASHER, PLATE	7	7	7	7	7	
13	22B-E4738-00	PROTECTOR, MUFFLER 3	1	1	1	1	1	
14	90111-06X22	BOLT, HEX. SOCKET BUTTON	4	4	4	4	4	
15	22B-E4799-10	CAP	1	1	1	1	1	
16	5YK-E477T-00	BAND 2	1	1	1	1	1	
17	92902-06600	WASHER, PLATE	7	7	7	7	7	
18	1S7-E4613-00	GASKET, EXHAUST PIPE	1	1	1	1	1	
19	95707-08500	NUT, FLANGE	2	2	2	2	2	
20	90109-085E2	BOLT	2	2	2	2	2	

FIG. 10 CRANKCASE



REF. NO.	PART NO.	DESCRIPTION	01	02	03	04	05	REMARKS
1	5D7-E5150-01	CRANKCASE ASSY	1	1	1	1	1	
2	91810-14X00	PIN, DOWEL	2	2	2	2	2	
3	90105-06X29	BOLT, FLANGE	2	2	2	2	2	
4	90105-06X31	BOLT, FLANGE	7	7	7	7	7	
5	90105-06X28	BOLT, FLANGE	4	4	4	4	4	
6	90105-06X32	BOLT, FLANGE	1	1	1	1	1	

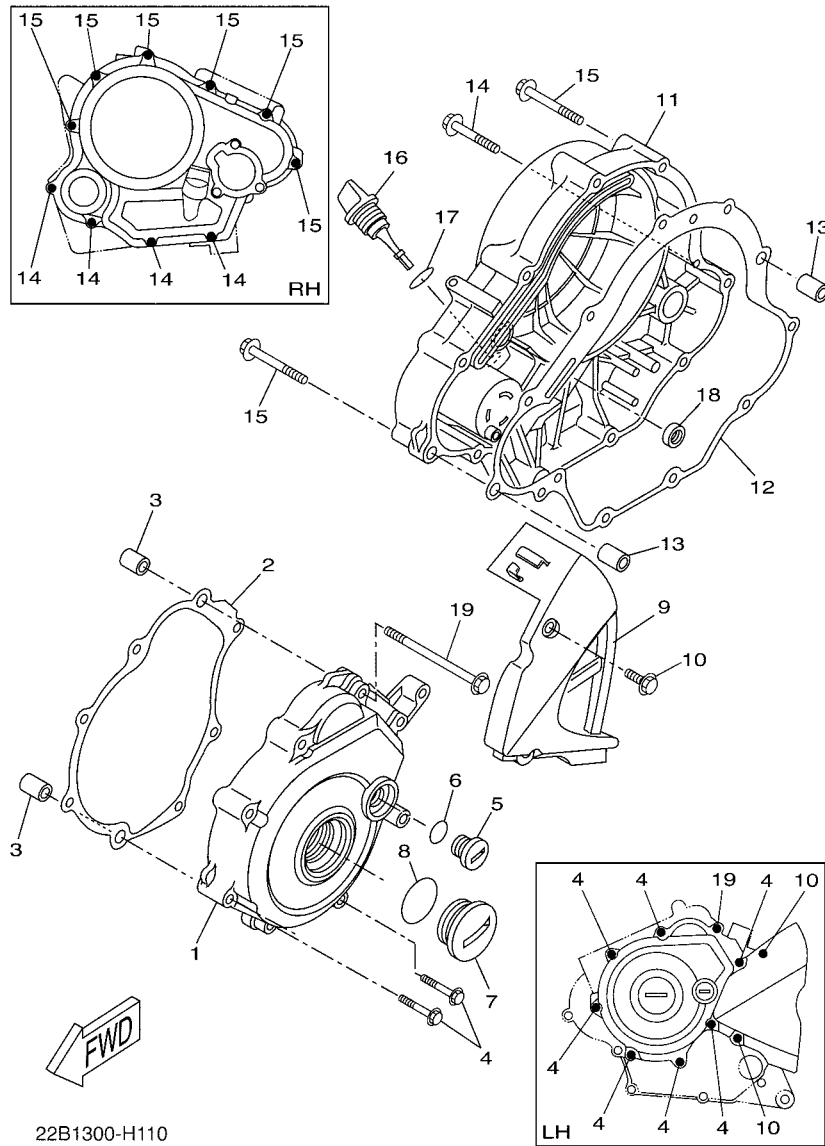
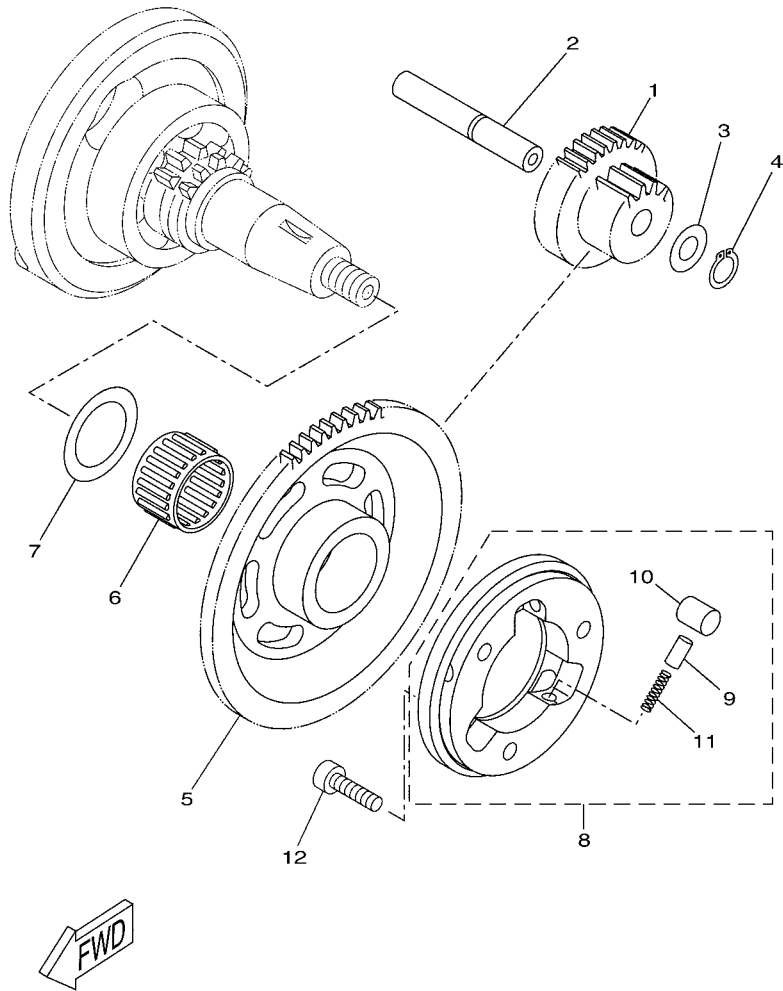


FIG. 11 CRANKCASE COVER 1

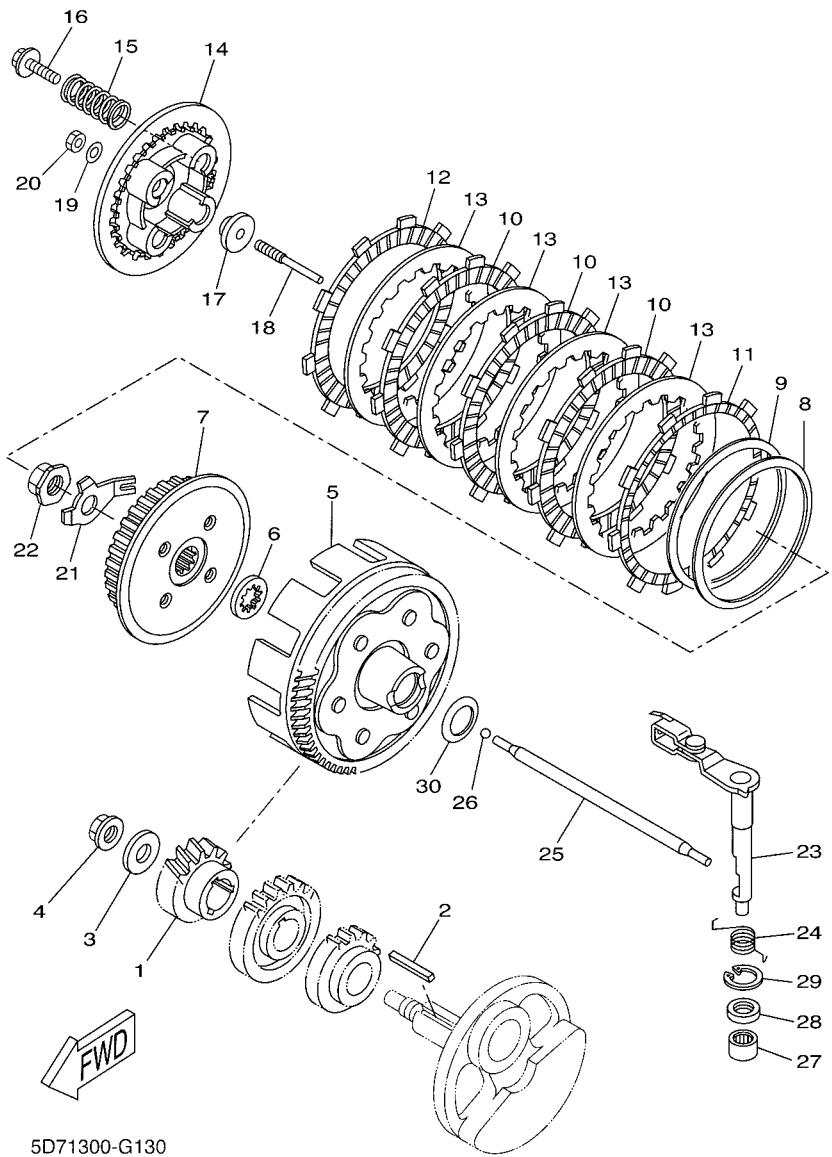
REF. NO.	PART NO.	DESCRIPTION	01	02	03	04	05	REMARKS
1	3C1-E5411-00	COVER, CRANKCASE 1	1	1	1	1	1	
2	3C1-E5451-00	GASKET, CRANKCASE COVER 1	1	1	1	1	1	
3	91810-14X00	PIN, DOWEL	2	2	2	2	2	
4	90105-06X32	BOLT, FLANGE	7	7	7	7	7	
5	90340-14X02	PLUG, STRAIGHT SCREW	1	1	1	1	1	
6	93210-14X00	O-RING	1	1	1	1	1	
7	90340-32810	PLUG, STRAIGHT SCREW	1	1	1	1	1	
8	93210-32810	O-RING	1	1	1	1	1	
9	22B-E5418-00	COVER, CHAIN CASE	1	1	1	1	1	
10	95022-06016	BOLT, FLANGE	2	2	2	2	2	
11	5D7-E5421-00	COVER, CRANKCASE 2	1	1	1	1	1	
12	3C1-E5461-00	GASKET, CRANKCASE COVER 2	1	1	1	1	1	
13	91810-14X00	PIN, DOWEL	2	2	2	2	2	
14	90105-06X32	BOLT, FLANGE	4	4	4	4	4	
15	90105-06X30	BOLT, FLANGE	6	6	6	6	6	
16	3C1-E5362-00	PLUG, OIL LEVEL	1	1	1	1	1	
17	93210-19X00	O-RING	1	1	1	1	1	
18	93101-10142	OIL SEAL	1	1	1	1	1	
19	90105-06X26	BOLT, FLANGE	1	1	1	1	1	



5D71300-G120

FIG. 12 STARTER CLUTCH

REF. NO.	PART NO.	DESCRIPTION	01	02	03	04	05	REMARKS
1	3C1-E5514-00	GEAR 2	1	1	1	1	1	
2	5D7-E5521-00	SHAFT 1	1	1	1	1	1	
3	90201-10X18	WASHER, PLATE	1	1	1	1	1	
4	93410-10X00	CIRCLIP	1	1	1	1	1	
5	3C1-E5524-00	WHEEL, STARTER	1	1	1	1	1	
6	93310-325X1	BEARING	1	1	1	1	1	
7	90201-25290	WASHER, PLATE	1	1	1	1	1	
8	5YP-E5580-00	STARTER CLUTCH OUTER ASSY	1	1	1	1	1	
9	5HV-E5583-00	.CAP, STARTER CLUTCH SPRING	3	3	3	3	3	
10	5YP-E5614-00	.PIN, DOWEL	3	3	3	3	3	
11	90501-030A0	.SPRING, COMPRESSION	3	3	3	3	3	
12	91317-06016	BOLT	3	3	3	3	3	



5D71300-G130

FIG. 13 CLUTCH

REF. NO.	PART NO.	DESCRIPTION	01	02	03	04	05	REMARKS
1	5D7-E6111-01	GEAR, PRIMARY DRIVE	1	1	1	1	1	
2	3C1-16193-00	KEY, FEATHER	1	1	1	1	1	
3	90201-12X07	WASHER, PLATE	1	1	1	1	1	
4	90179-12659	NUT	1	1	1	1	1	
5	5D7-E6150-10	PRIMARY DRIVEN GEAR COMP.	1	1	1	1	1	
6	5D7-E6154-00	PLATE, THRUST 1	1	1	1	1	1	
7	5D7-E6371-00	BOSS, CLUTCH	1	1	1	1	1	
8	5D7-E6384-00	PLATE, SEAT	1	1	1	1	1	
9	5D7-E6383-00	SPRING., CUSHION	1	1	1	1	1	
10	5D7-E6307-00	PLATE, FRICTION 3	3	3	3	3	3	
11	5D7-E6331-00	PLATE, FRICTION 2	1	1	1	1	1	
12	5D7-E6321-00	PLATE, FRICTION	1	1	1	1	1	
13	5D7-E6324-00	PLATE, CLUTCH 1	4	4	4	4	4	
14	5D7-E6351-00	PLATE, PRESSURE 1	1	1	1	1	1	
15	5D7-E6333-00	SPRING, CLUTCH 1	4	4	4	4	4	
16	5D7-E6337-00	SCREW, SPRING	4	4	4	4	4	
17	5D7-E6358-00	PLATE, PUSH	1	1	1	1	1	
18	5D7-E6356-00	ROD, PUSH 1	1	1	1	1	1	
19	5D7-E6144-00	WASHER	1	1	1	1	1	
20	5D7-E6344-00	NUT, ADJUSTING	1	1	1	1	1	
21	5D7-E6135-00	WASHER, LOCK	1	1	1	1	1	
22	90179-14001	NUT	1	1	1	1	1	
23	22B-16380-00	PUSH LEVER ASSY	1	1	1	1	1	
24	5D7-E6345-00	SPRING, RETURN	1	1	1	1	1	
25	3C1-16357-02	ROD, PUSH 2	1	1	1	1	1	
26	93503-16048	BALL	1	1	1	1	1	
27	93315-11206	BEARING	1	1	1	1	1	

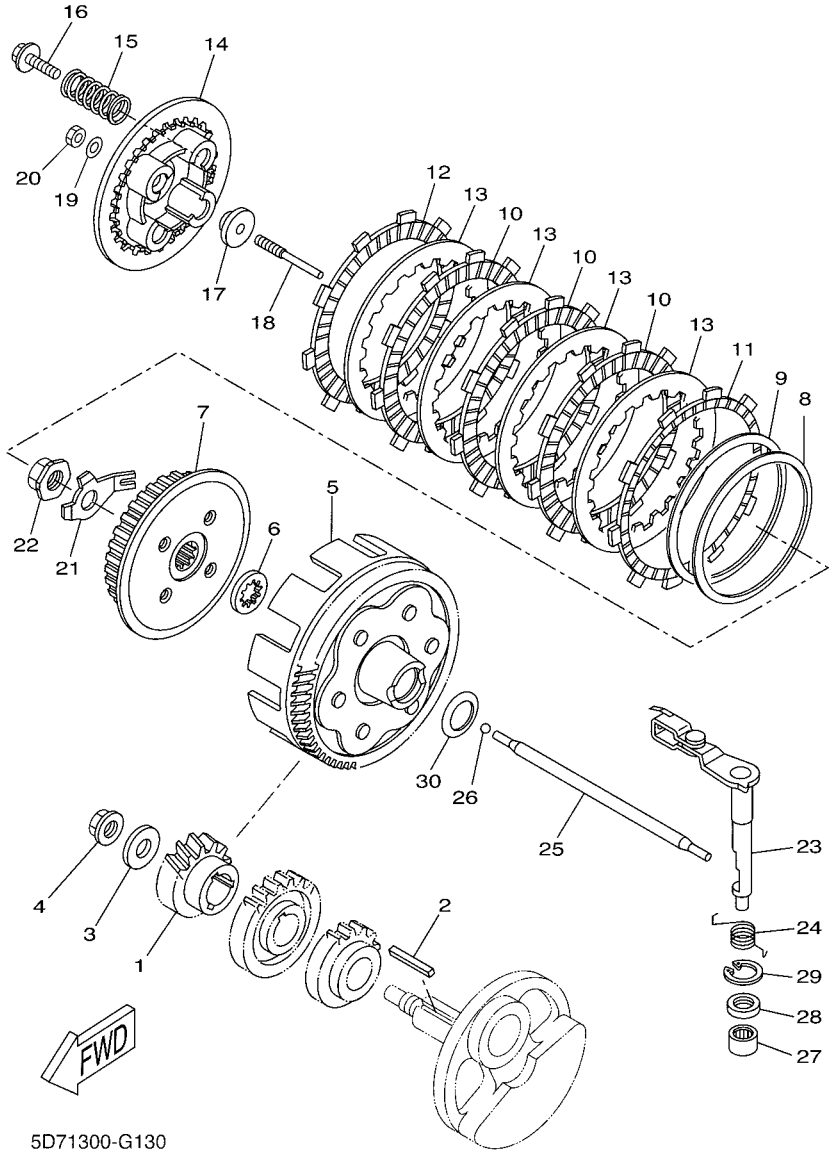


FIG. 13 CLUTCH

REF. NO.	PART NO.	DESCRIPTION	01	02	03	04	05	REMARKS
28	93102-12224	OIL SEAL	1	1	1	1	1	
29	99009-20500	CIRCLIP	1	1	1	1	1	
30	90208-20003	WASHER, CONICAL SPRING	1	1	1	1	1	

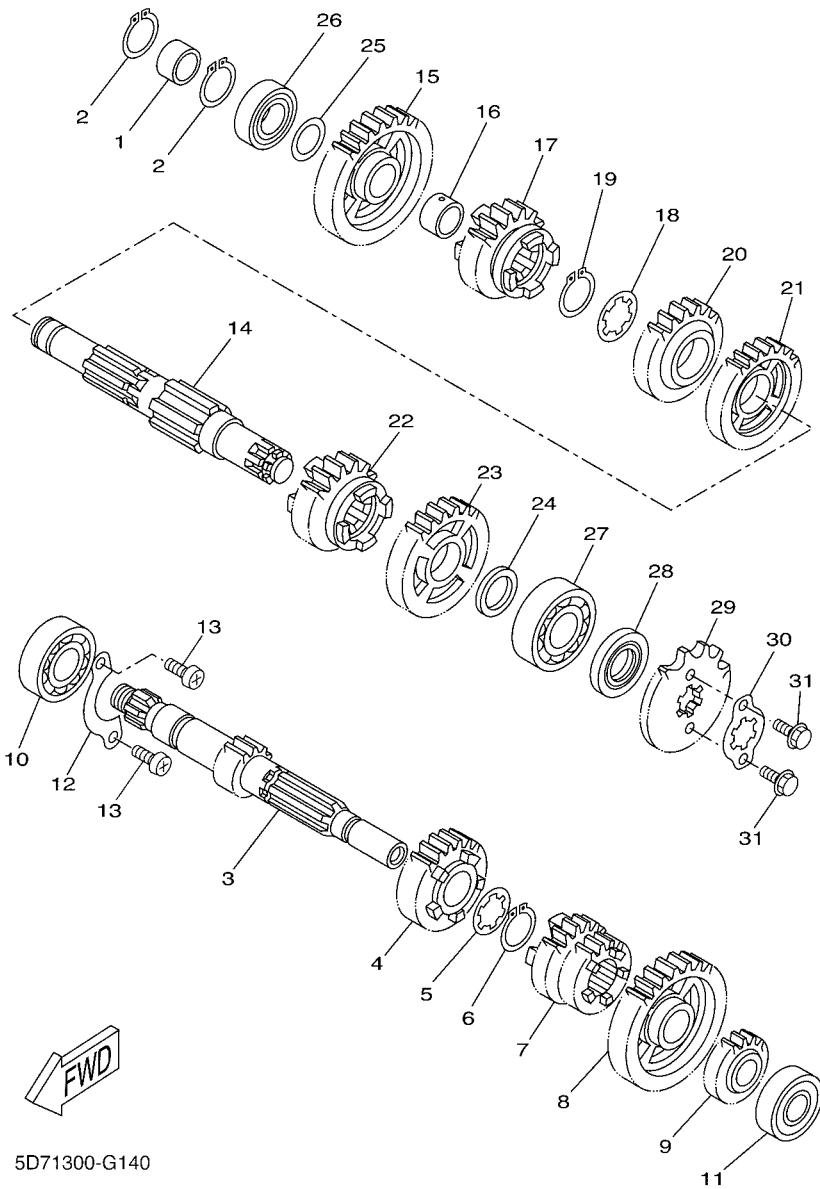


FIG. 14 TRANSMISSION

REF. NO.	PART NO.	DESCRIPTION	01	02	03	04	05	REMARKS
1	5D7-E5666-00	SPACER	1	1	1	1	1	
2	93410-17X00	CIRCLIP	2	2	2	2	2	
3	5D7-E7411-00	AXLE, MAIN (12T)	1	1	1	1	1	
4	3C1-E7151-00	GEAR, 5TH PINION (23T)	1	1	1	1	1	
5	90209-17285	WASHER	1	1	1	1	1	
6	93410-20038	CIRCLIP	1	1	1	1	1	
7	5D7-E7131-00	GEAR, 3RD PINION (22T/21T)	1	1	1	1	1	
8	5D7-E7161-00	GEAR, 6TH PINION (25T)	1	1	1	1	1	
9	3C1-E7121-00	GEAR, 2ND PINION (16T)	1	1	1	1	1	
10	93306-00401	BEARING	1	1	1	1	1	
11	93306-20218	BEARING	1	1	1	1	1	NSK
12	5D7-E7471-00	PLATE, COVER	1	1	1	1	1	
13	91317-06012	BOLT	2	2	2	2	2	
14	3C1-E7402-00	DRIVE AXLE ASSY	1	1	1	1	1	
15	3C1-E7211-00	GEAR, 1ST WHEEL (34T)	1	1	1	1	1	
16	90387-17804	COLLAR	1	1	1	1	1	
17	3C1-E7251-00	GEAR, 5TH WHEEL (22T)	1	1	1	1	1	
18	90209-18208	WASHER	1	1	1	1	1	
19	93410-22039	CIRCLIP	1	1	1	1	1	
20	3C1-E7241-00	GEAR, 4TH WHEEL (24T)	1	1	1	1	1	
21	3C1-E7231-00	GEAR, 3RD WHEEL (30T)	1	1	1	1	1	
22	5D7-E7261-00	GEAR, 6TH WHEEL (25T)	1	1	1	1	1	
23	3C1-E7221-00	GEAR, 2ND WHEEL (30T)	1	1	1	1	1	
24	90201-20814	WASHER, PLATE	1	1	1	1	1	
25	90201-173F4	WASHER, PLATE	1	1	1	1	1	
26	93306-00320	BEARING	1	1	1	1	1	
27	93306-204YL	BEARING	1	1	1	1	1	

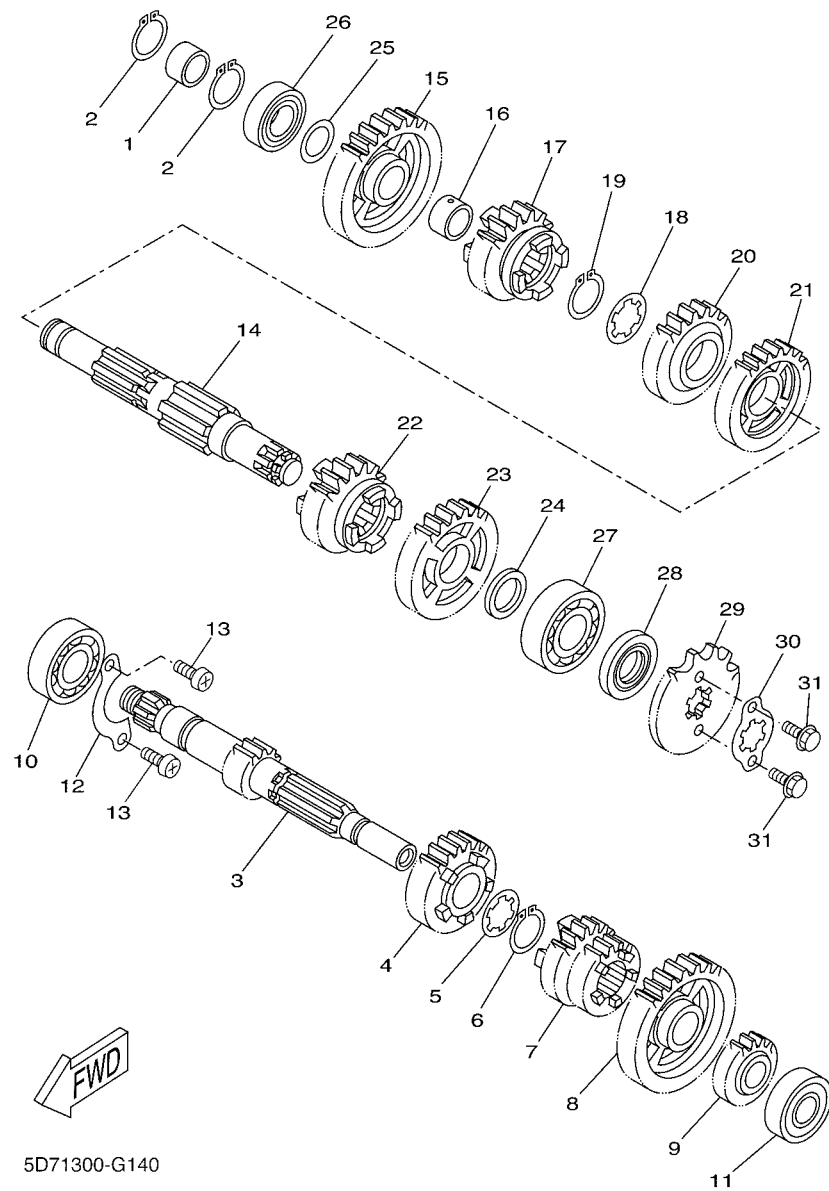
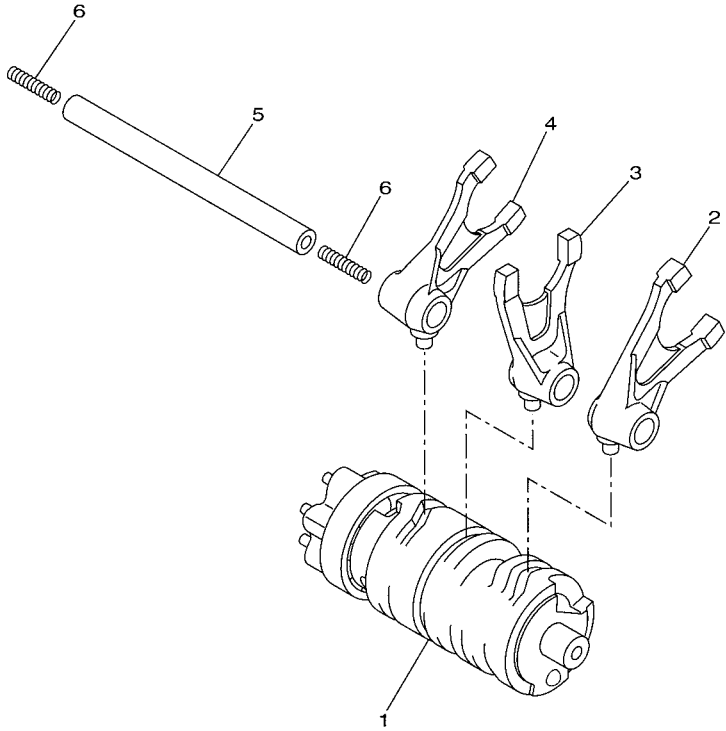


FIG. 14 TRANSMISSION

REF. NO.	PART NO.	DESCRIPTION	01	02	03	04	05	REMARKS
28	93102-20366	OIL SEAL	1	1	1	1	1	
29	93822-14240	SPROCKET, DRIVE (14T)	1	1	1	1	1	
30	5D7-E7456-00	HOLDER, SPROCKET	1	1	1	1	1	
31	95027-06010	BOLT, FLANGE	2	2	2	2	2	

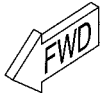
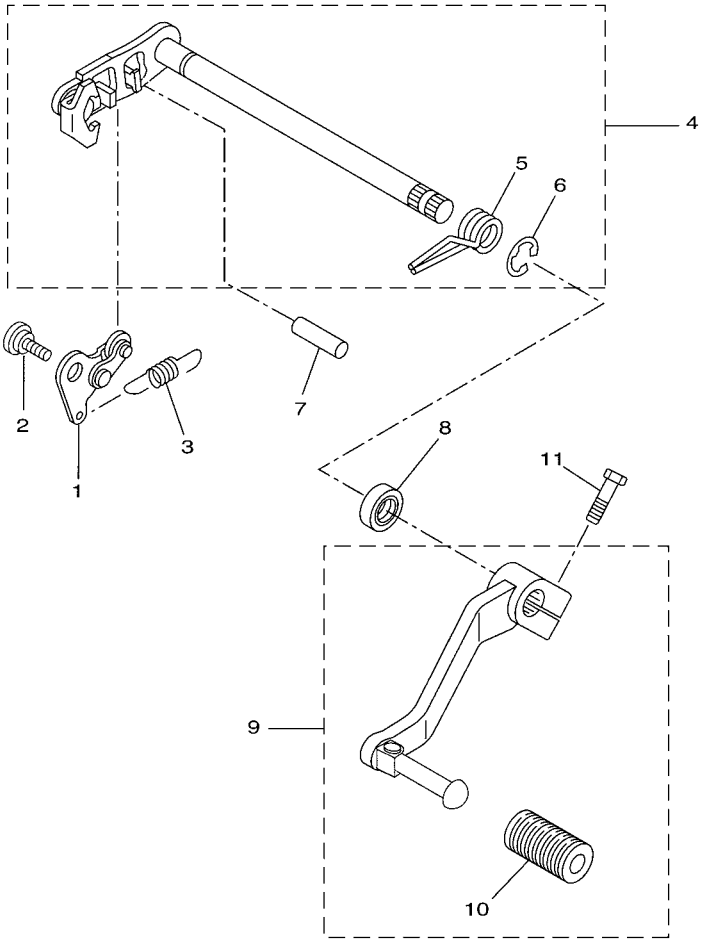
FIG. 15 SHIFT CAM & FORK



REF. NO.	PART NO.	DESCRIPTION	01	02	03	04	05	REMARKS
1	5D7-E8540-00	SHIFT CAM ASSY	1	1	1	1	1	
2	3C1-E8511-00	FORK, SHIFT 1	1	1	1	1	1	
3	3C1-E8512-00	FORK, SHIFT 2	1	1	1	1	1	
4	3C1-E8513-00	FORK, SHIFT 3	1	1	1	1	1	
5	3C1-E8531-00	BAR, SHIFT FORK GUIDE 1	1	1	1	1	1	
6	90501-06800	SPRING, COMPRESSION	2	2	2	2	2	



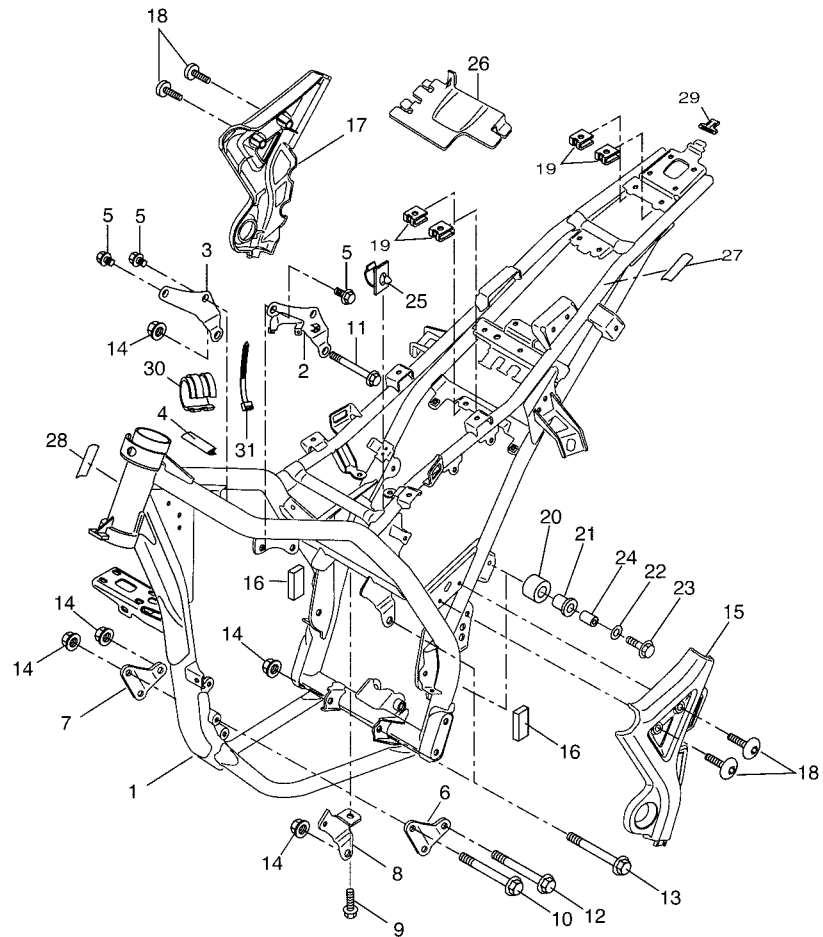
5D71300-G150



22B1300-H160

FIG. 16 SHIFT SHAFT

REF. NO.	PART NO.	DESCRIPTION	01	02	03	04	05	REMARKS
1	3C1-E8140-00	STOPPER LEVER ASSY	1	1	1	1	1	
2	3C1-E8119-00	BOLT, SHIFT	1	1	1	1	1	
3	5D7-E8337-00	SPRING	1	1	1	1	1	
4	3C1-E8101-00	SHIFT SHAFT ASSY	1	1	1	1	1	
5	90508-32837	.SPRING, TORSION	1	1	1	1	1	
6	99001-10600	.CIRCLIP	1	1	1	1	1	
7	93608-30839	PIN, DOWEL	1	1	1	1	1	
8	93102-12106	OIL SEAL (SD 12-22-5 HS)	1	1	1	1	1	
9	22B-E8110-00	SHIFT PEDAL ASSY	1	1	1	1	1	
10	5VK-E8113-00	.COVER, SHIFT PEDAL	1	1	1	1	1	
11	91317-06020	BOLT	1	1	1	1	1	



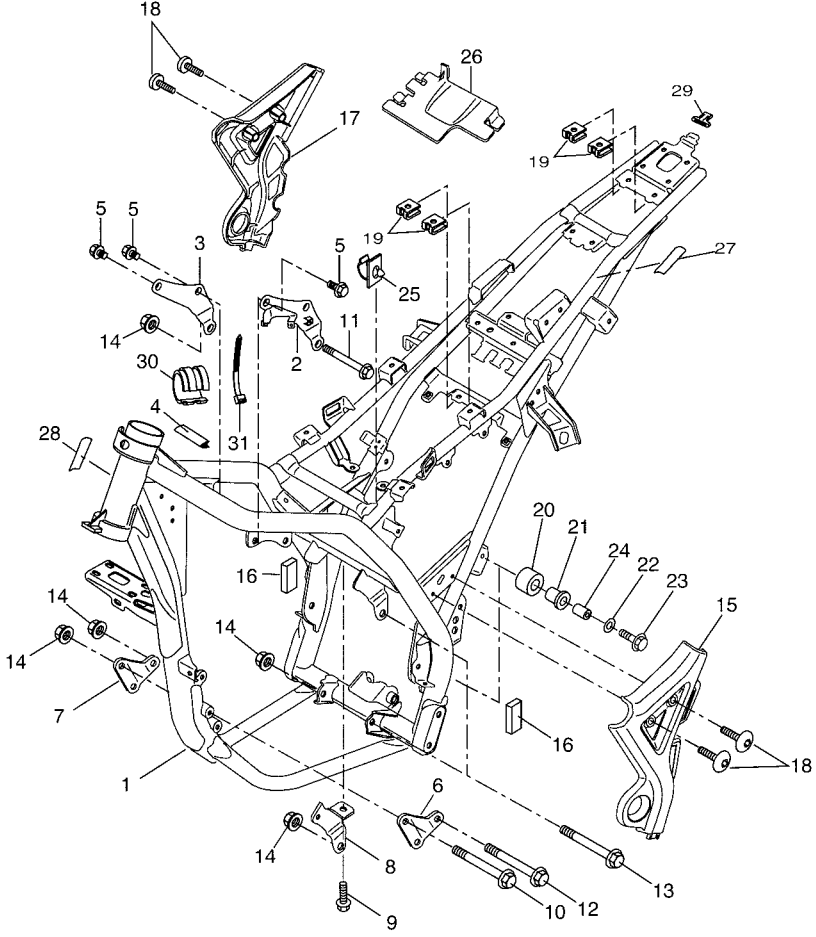
FWD
22B1300-H170

FIG. 17 FRAME

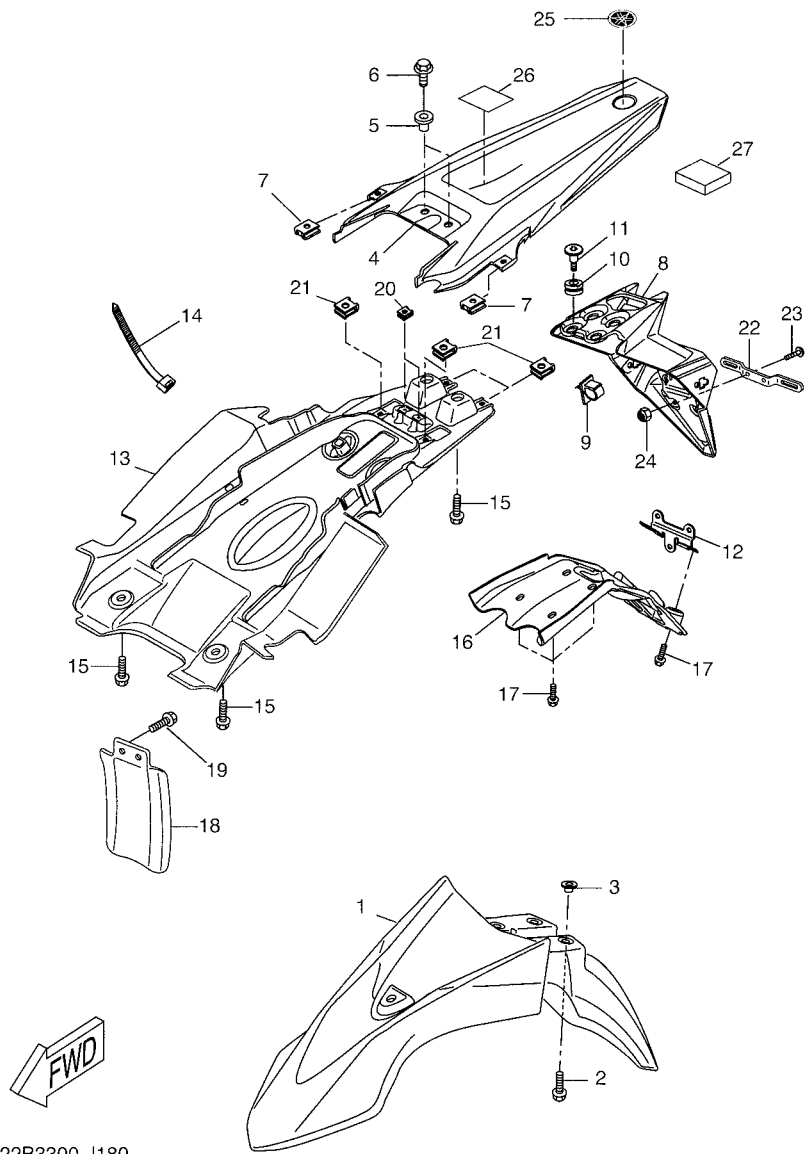
REF. NO.	PART NO.	DESCRIPTION	01	02	03	04	05	REMARKS
1	22B-F1110-00-P1	FRAME COMP.	1	1	1	1	1	MBL2 FOR DPBSE...
2	22B-F1410-00	ENGINE BRACKET COMP.	1	1	1	1	1	
3	22B-F1420-00	ENGINE BRACKET COMP. 2	1	1	1	1	1	
4	22B-F117G-00	PROTECTOR	1	1	1	1	1	
5	90105-10003	BOLT, FLANGE	4	4	4	4	4	
6	22B-F1417-00	BRACKET, FRONT LOWER 1	1	1	1	1	1	
7	22B-F1418-00	BRACKET, FRONT LOWER 2	1	1	1	1	1	
8	22B-F1419-00	BRACKET, ENGINE 2	1	1	1	1	1	
9	90105-08021	BOLT, FLANGE	2	2	2	2	2	
10	90105-10384	BOLT, FLANGE	2	2	2	2	2	
11	90105-10167	BOLT, FLANGE	1	1	1	1	1	
12	90105-10027	BOLT, FLANGE	1	1	1	1	1	
13	90105-10123	BOLT, FLANGE	2	2	2	2	2	
14	95607-10200	NUT, U FLANGE	6	6	6	6	6	
15	22B-F1978-00	PROTECTOR, FRAME	1	1	1	1	1	
16	22B-F1778-00	DAMPER, LOCATING 1	2	2	2	2	2	
17	22B-F197B-00	PROTECTOR, FRAME	1	1	1	1	1	
18	90111-05X07	BOLT, HEX. SOCKET BUTTON	4	4	4	4	4	
19	90183-06X00	NUT, SPRING	4	4	4	4	4	
20	30X-22178-00	TENSIONER	2	2	2	2	2	
21	10V-22184-00	BUSH	2	2	2	2	2	
22	90201-082H0	WASHER, PLATE	2	2	2	2	2	
23	95827-08040	BOLT, FLANGE	2	2	2	2	2	
24	90387-08024	COLLAR	2	2	2	2	2	
25	3C1-F1338-00	CLAMP	1	1	1	1	1	
26	22B-F193A-00	PROTECTOR	1	1	1	1	1	
27	22B-F6137-00	LABEL	2	2	2	2	2	

FIG. 17 FRAME

REF. NO.	PART NO.	DESCRIPTION	01	02	03	04	05	REMARKS
28	22B-F6137-10	LABEL	1	1	1	1	1	
29	2N4-21717-00	DAMPER	1	1	1	1	1	
30	22B-F4183-00	DAMPER, LOCATING 3	2	2	2	2	2	
31	4KH-H3936-01	BAND, SWITCH CORD	2	2	2	2	2	(249X4.80)



FWD
22B1300-H170



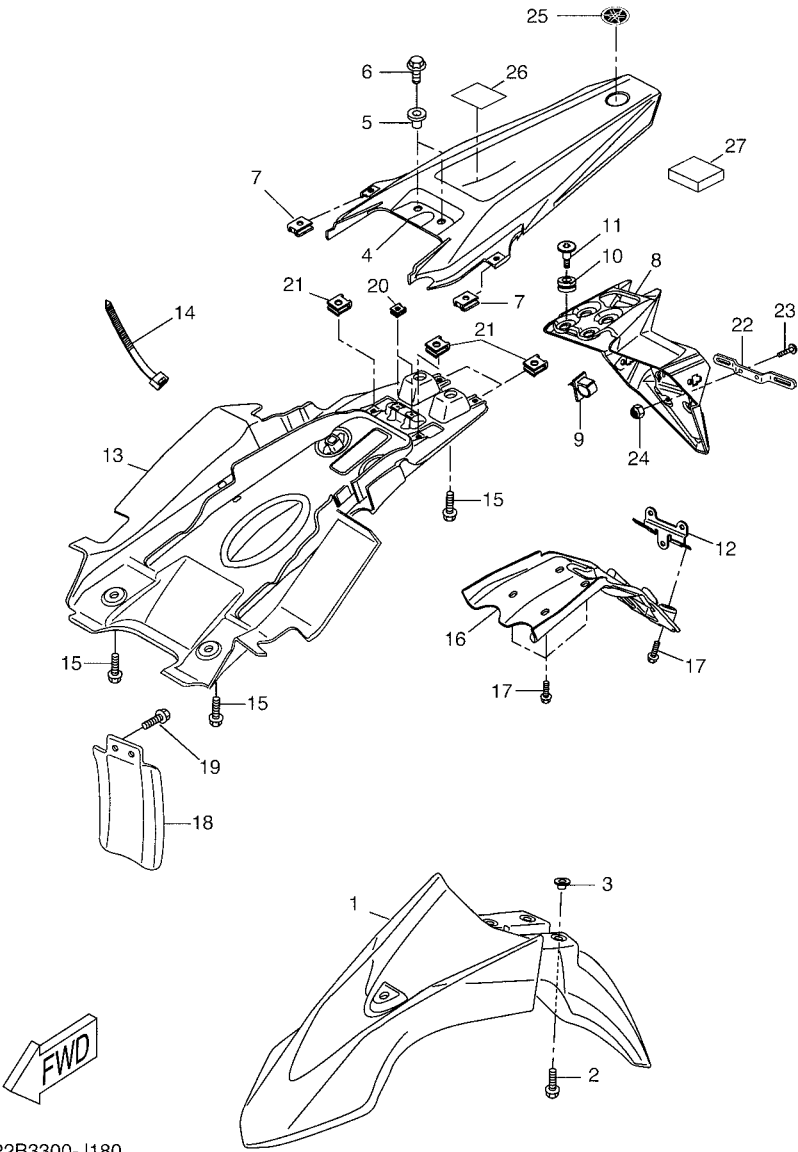
22B3300-J180

FIG. 18 FENDER

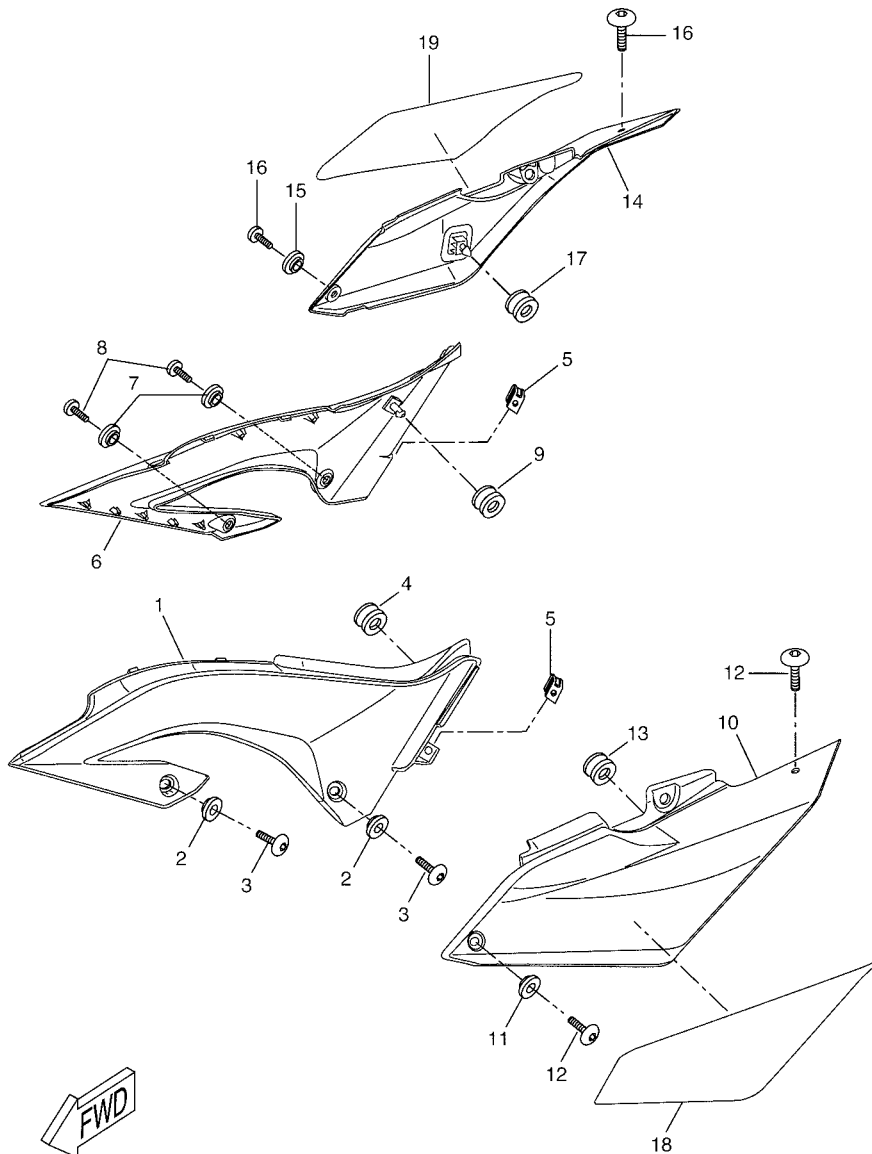
REF. NO.	PART NO.	DESCRIPTION	01	02	03	04	05	REMARKS
1	22B-F1511-00	FENDER, FRONT	1	1	1	1	1	UR FOR DPBSE
	22B-F1511-40	FENDER, FRONT	1	1	1	1	1	UR FOR PWS1
2	90119-06097	BOLT, WITH WASHER	4	4	4	4	4	
3	90387-087L0	COLLAR	4	4	4	4	4	
4	22B-F1611-01	FENDER, REAR	1	1	1	1	1	UR FOR DPBSE
	22B-F1611-21	FENDER, REAR	1	1	1	1	1	UR FOR PWS1
5	90387-06X50	COLLAR	2	2	2	2	2	
6	90111-06X19	BOLT, HEX. SOCKET BUTTON	2	2	2	2	2	
7	90183-060A6	NUT, SPRING	2	2	2	2	2	
8	22B-F1685-00	BRACKET, LICENSE	1	1	1	1	1	
9	90464-09009	CLAMP	1	1	1	1	1	
10	90480-16801	GROMMET	4	4	4	4	4	
11	90109-06X14	BOLT	4	4	4	4	4	
12	22B-F1688-00	BRACKET, REAR STAY	1	1	1	1	1	
13	22B-F1629-00	GUARD, MUD	1	1	1	1	1	
14	4KH-H3936-01	BAND, SWITCH CORD	2	2	2	2	2	(249X4.80)
15	90109-06X05	BOLT	4	4	4	4	4	
16	22B-F163A-00	COVER, REAR FENDER 1	1	1	1	1	1	
17	90109-06X05	BOLT	6	6	6	6	6	
18	22B-F1642-00	GUARD, FLAP	1	1	1	1	1	
19	90109-06X05	BOLT	2	2	2	2	2	
20	90183-04039	NUT, SPRING	2	2	2	2	2	
21	90183-060A6	NUT, SPRING	4	4	4	4	4	
22	22B-H4551-00	BRACKET, LICENCE	1	1	1	1	1	
23	90105-06841	BOLT, FLANGE	2	2	2	2	2	
24	95602-06200	NUT, SELF-LOCKING	2	2	2	2	2	
25	5P0-F1737-00	EMBLEM (25 MM)	1	1	1	1	1	

FIG. 18 FENDER

REF. NO.	PART NO.	DESCRIPTION	01	02	03	04	05	REMARKS
26	5D7-F1568-02	LABEL, WARNING	1	1	1	1	1	
27	4SB-F174X-60	DAMPER	2	2	2	2	2	



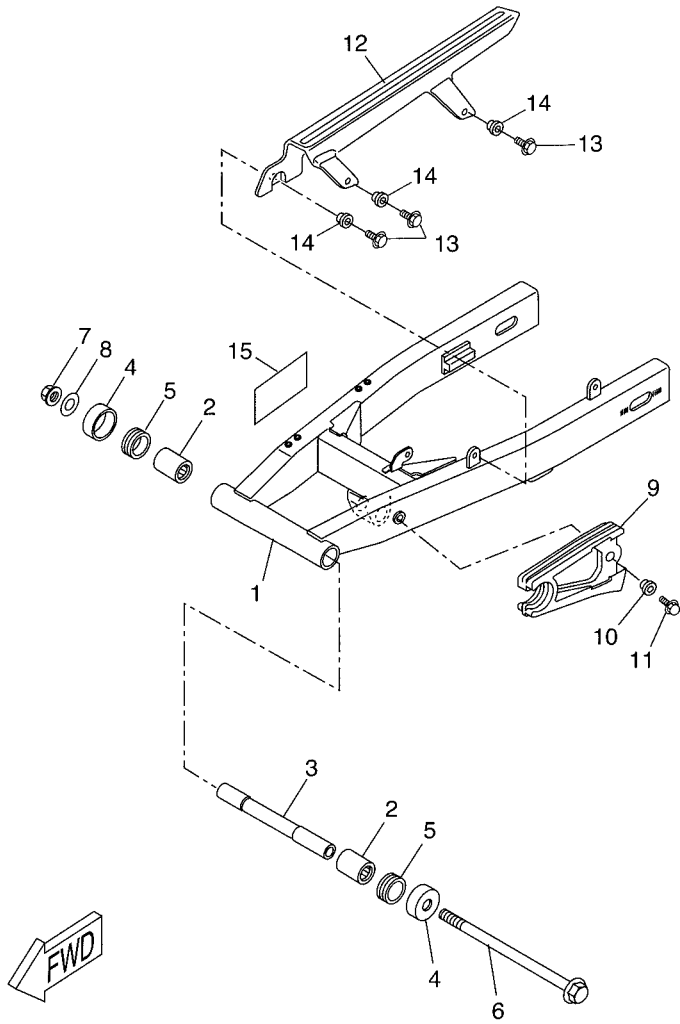
22B3300-J180



22B1300-H190

FIG. 19 SIDE COVER

REF. NO.	PART NO.	DESCRIPTION	01	02	03	04	05	REMARKS
1	22B-F1711-00	COVER, SIDE 1	1	1	1	1	1	
2	90387-06X50	COLLAR	2	2	2	2	2	
3	90111-06X17	BOLT,HEX. SOCKET BUTTON	2	2	2	2	2	
4	90480-01803	GROMMET	1	1	1	1	1	
5	90183-060A6	NUT, SPRING	2	2	2	2	2	
6	22B-F1721-00	COVER, SIDE 2	1	1	1	1	1	
7	90387-06X50	COLLAR	2	2	2	2	2	
8	90111-06X17	BOLT,HEX. SOCKET BUTTON	3	3	3	3	3	
9	90480-01803	GROMMET	1	1	1	1	1	
10	22B-F171E-00	COVER, SIDE 5	1	1	1	1	1	UR FOR PWS1
	22B-F171E-10	COVER, SIDE 5	1	1	1	1	1	UR FOR DPBSE
11	90387-06X50	COLLAR	1	1	1	1	1	
12	90111-06X19	BOLT,HEX. SOCKET BUTTON	2	2	2	2	2	
13	90480-01558	GROMMET	1	1	1	1	1	
14	22B-F171X-00	COVER, SIDE 6	1	1	1	1	1	UR FOR PWS1
	22B-F171X-10	COVER, SIDE 6	1	1	1	1	1	UR FOR DPBSE
15	90387-06X50	COLLAR	1	1	1	1	1	
16	90111-06X19	BOLT,HEX. SOCKET BUTTON	2	2	2	2	2	
17	90480-01558	GROMMET	1	1	1	1	1	
18	22B-F173E-50	GRAPHIC, 1	1	1	1	1	1	UR FOR DPBSE
	22B-F173E-60	GRAPHIC, 1	1	1	1	1	1	UR FOR PWS1
19	22B-F173F-50	GRAPHIC, 2	1	1	1	1	1	UR FOR DPBSE
	22B-F173F-60	GRAPHIC, 2	1	1	1	1	1	UR FOR PWS1

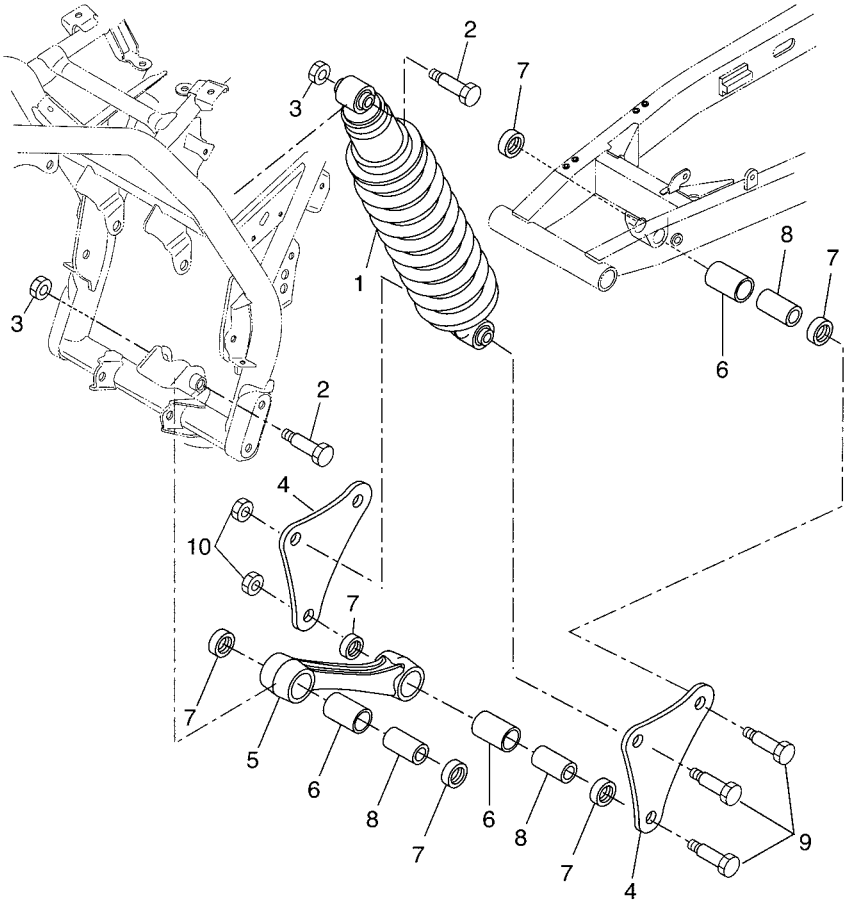


22B3300-J200

FIG. 20 REAR ARM

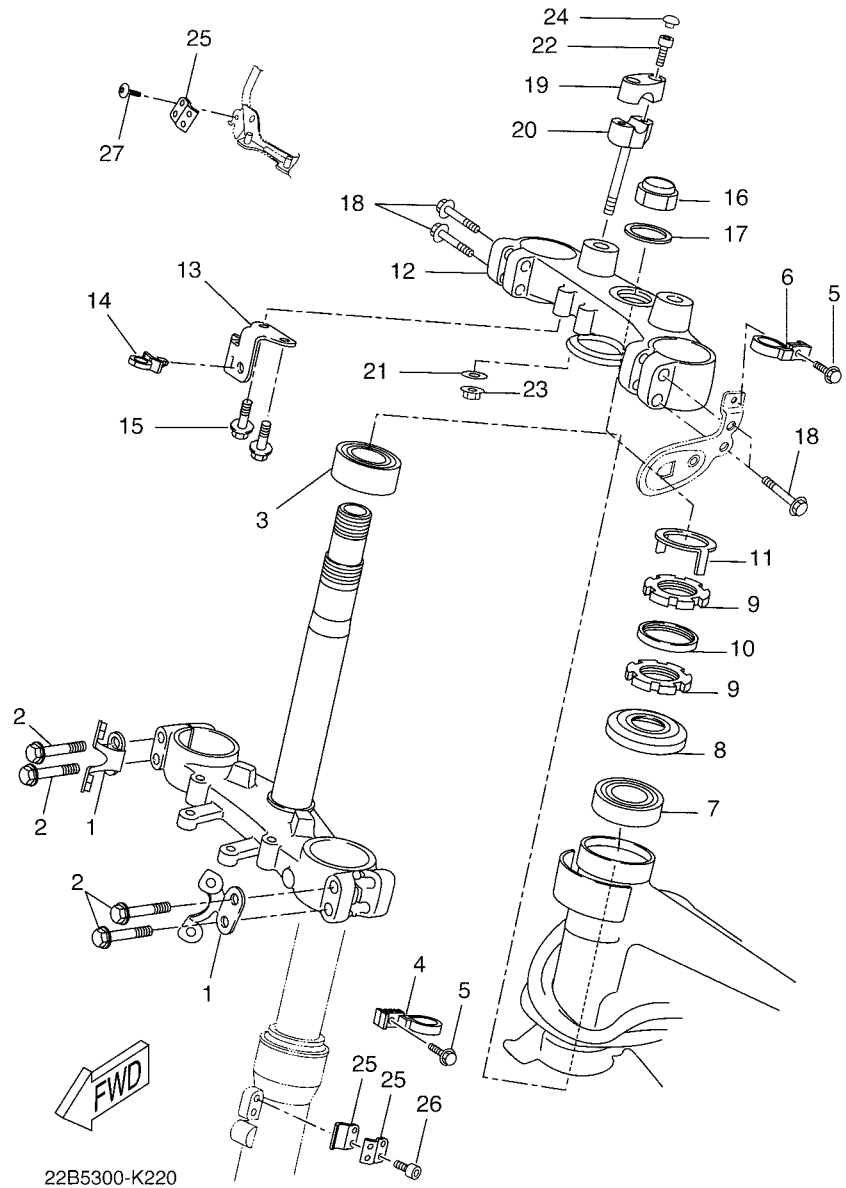
REF. NO.	PART NO.	DESCRIPTION						REMARKS
			01	02	03	04	05	
1	22B-F2110-10	REAR ARM COMP.	1	1	1	1	1	
2	93315-22251	BEARING	2	2	2	2	2	
3	22B-22184-00	BUSH	1	1	1	1	1	
4	30X-2219X-00	COVER	2	2	2	2	2	
5	93108-35004	OIL SEAL (35-41-8)	2	2	2	2	2	
6	22B-F2141-00	SHAFT, PIVOT	1	1	1	1	1	
7	90185-12134	NUT, SELF-LOCKING	1	1	1	1	1	
8	90201-126A7	WASHER, PLATE	1	1	1	1	1	
9	22B-F2151-00	SEAL, GUARD	1	1	1	1	1	
10	90387-06066	COLLAR	1	1	1	1	1	
11	95807-06020	BOLT, FLANGE	1	1	1	1	1	
12	22B-F2311-00	CASE, CHAIN	1	1	1	1	1	
13	95807-06012	BOLT, FLANGE	3	3	3	3	3	
14	90387-07717	COLLAR	3	3	3	3	3	
15	22B-F4875-00	LABEL 1	1	1	1	1	1	

FIG. 21 REAR SUSPENSION



22B1300-H210

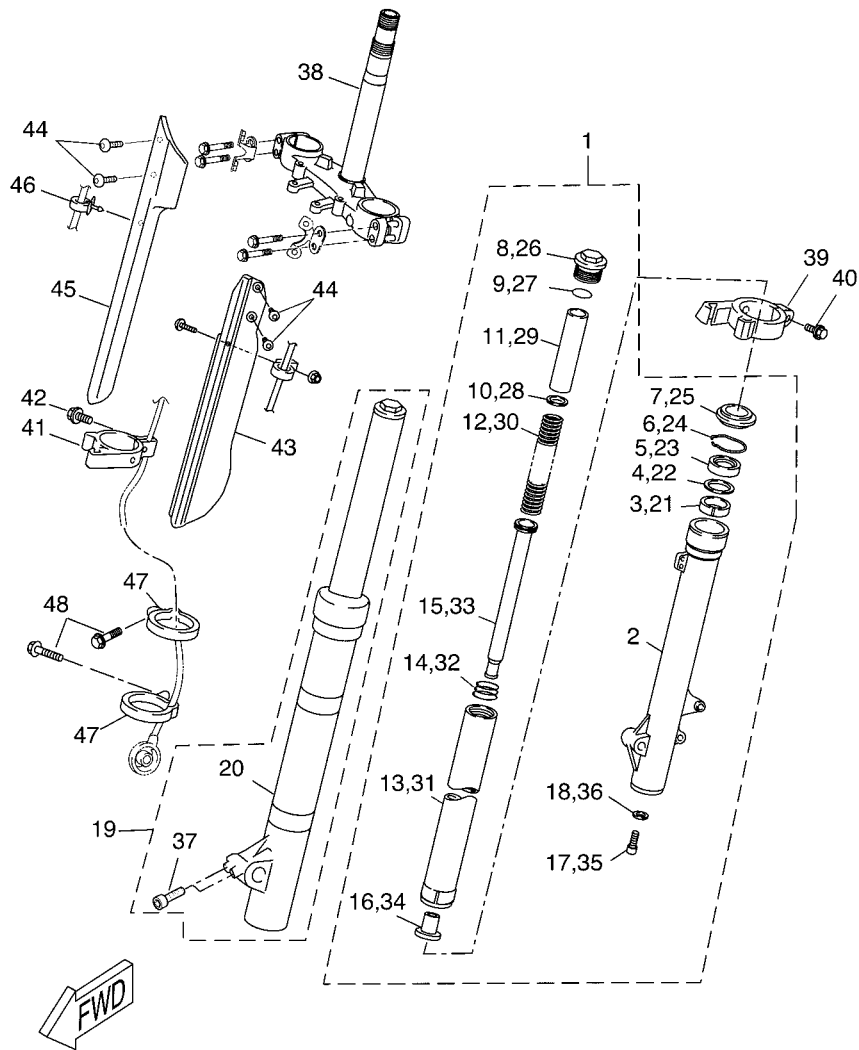
REF. NO.	PART NO.	DESCRIPTION	01	02	03	04	05	REMARKS
1	22B-F2210-11	SHOCK ABSORBER ASSY, REAR	1	1	1	1	1	
2	90109-125F1	BOLT	2	2	2	2	2	
3	95617-12100	NUT, U	2	2	2	2	2	
4	22B-F217A-01	ARM, RELAY	2	2	2	2	2	
5	22B-F217F-00	ROD, CONNECTING 1	1	1	1	1	1	
6	90386-18004	BUSH	3	3	3	3	3	
7	93109-18020	OIL SEAL	6	6	6	6	6	
8	90387-12X01	COLLAR	3	3	3	3	3	
9	90105-12076	BOLT, FLANGE	3	3	3	3	3	
10	95607-12200	NUT, SELF-LOCKING	3	3	3	3	3	



22B5300-K220

FIG. 22 STEERING 2

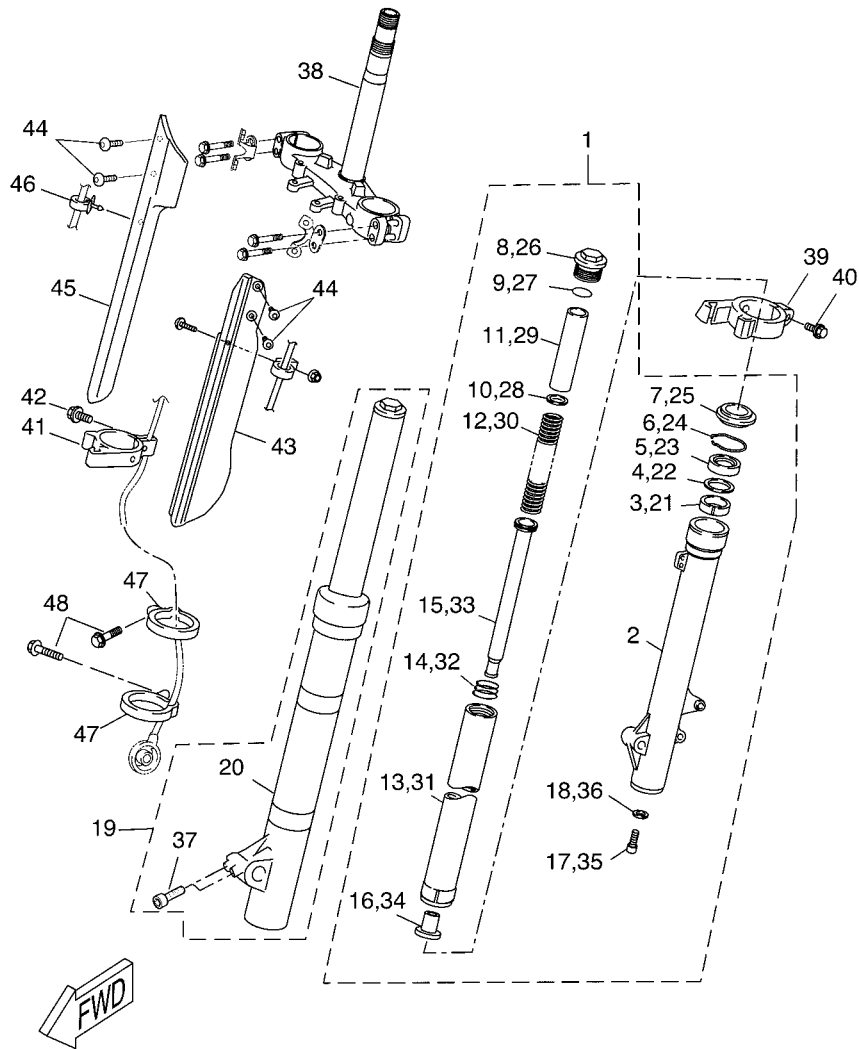
REF. NO.	PART NO.	DESCRIPTION	01	02	03	04	05	REMARKS
1	22B-2331E-00	GUIDE, CABLE	2	2	2	2	2	(KAYABA MODEL)
2	91312-08040	BOLT	4	4	4	4	4	
3	93332-00008	BEARING	1	1	1	1	1	
4	5VK-23389-00	GUIDE, CABLE	1	1	1	1	1	
5	92017-05016	BOLT, BUTTON HEAD	2	2	2	2	2	
6	3D7-25876-00	HOLDER, BRAKE HOSE 2	1	1	1	1	1	
7	93399-99931	BEARING	1	1	1	1	1	
8	1W1-23416-00	COVER, BALL RACE 2	1	1	1	1	1	
9	90179-25615	NUT	2	2	2	2	2	
10	90202-26X00	WASHER, PLATE	1	1	1	1	1	
11	3YF-23418-00	WASHER, SPECIAL	1	1	1	1	1	
12	22B-F3435-20	CROWN, HANDLE	1	1	1	1	1	(KAYABA MODEL)
13	22B-F331W-00	BRACKET, UPPER	1	1	1	1	1	
14	90464-12X01	CLAMP	1	1	1	1	1	
15	90105-06X24	BOLT, FLANGE	2	2	2	2	2	
16	90176-22081	NUT, CROWN	1	1	1	1	1	
17	90201-220T0	WASHER, PLATE	1	1	1	1	1	
18	90105-08X21	BOLT, FLANGE	4	4	4	4	4	
19	5VK-F3441-00	HOLDER, HANDLE UPPER	2	2	2	2	2	
20	5VK-F3442-00	HOLDER, HANDLE LOWER	2	2	2	2	2	
21	92907-10200	WASHER, PLAIN	2	2	2	2	2	
22	91312-08030	BOLT	4	4	4	4	4	
23	95607-10200	NUT, U FLANGE	2	2	2	2	2	
24	90338-06004	PLUG	4	4	4	4	4	
25	5VK-F3466-00	CLAMP	3	3	3	3	3	
26	91317-06016	BOLT	2	2	2	2	2	
27	90111-06X17	BOLT, HEX. SOCKET BUTTON	1	1	1	1	1	



22B5300-K230

FIG. 23 FRONT FORK 2

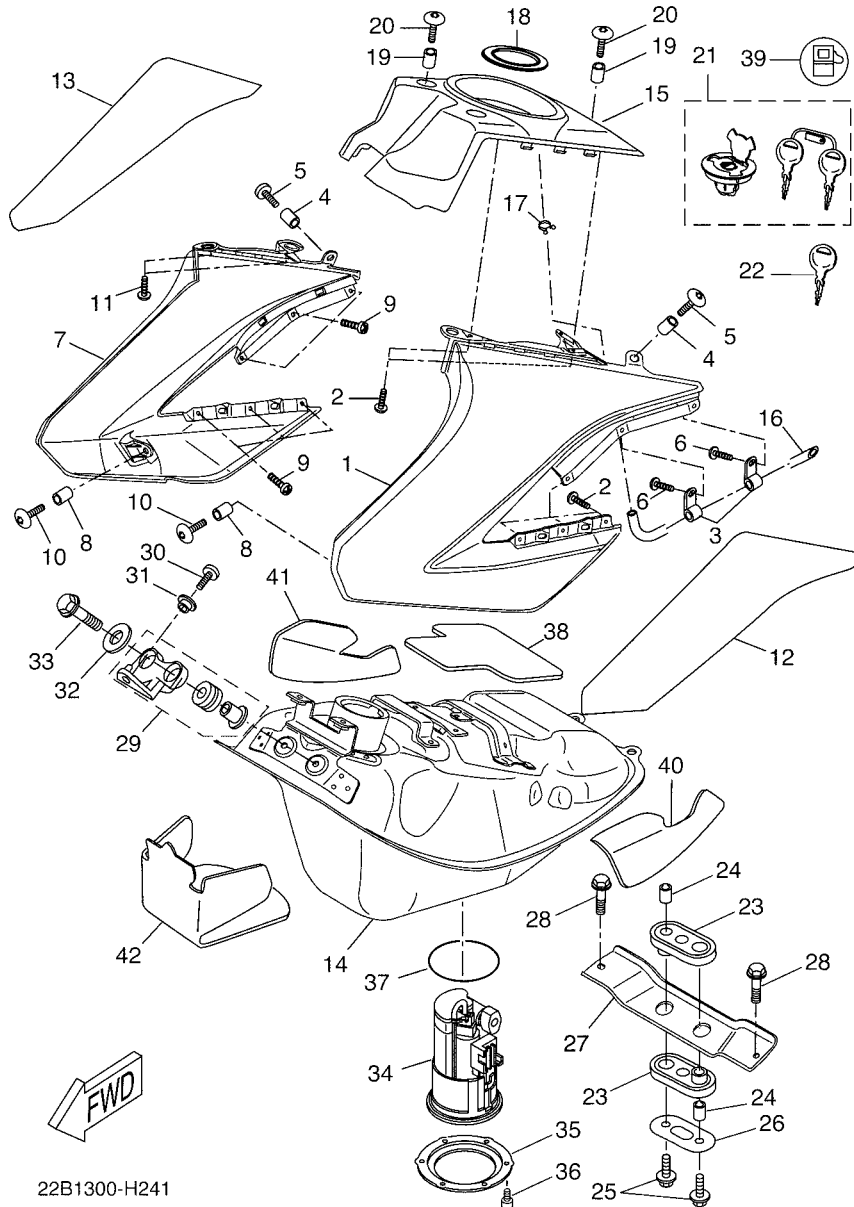
REF. NO.	PART NO.	DESCRIPTION	01	02	03	04	05	REMARKS
1	22B-23102-00	FRONT FORK ASSY (L.H)	1	1	1	1	1	(KAYABA MODEL)
2	22B-23126-00	.TUBE, OUTER (LEFT)	1	1	1	1	1	(KAYABA MODEL)
3	4FM-23125-40	.METAL, SLIDE 1	1	1	1	1	1	
4	36Y-23146-10	.WASHER, OIL SEAL	1	1	1	1	1	
5	4EB-23145-01	.OIL SEAL	1	1	1	1	1	
6	26H-23156-00	.RING, SNAP	1	1	1	1	1	
7	4EB-23144-00	.SEAL, DUST	1	1	1	1	1	
8	1D0-23111-00	.BOLT, CAP	1	1	1	1	1	
9	43F-23188-10	.O-RING	1	1	1	1	1	
10	4DW-23149-40	.WASHER, SPRING UPPER	1	1	1	1	1	
11	22B-23118-00	.SPACER	1	1	1	1	1	(KAYABA MODEL)
12	22B-23141-00	.SPRING, FRONT FORK	1	1	1	1	1	(KAYABA MODEL)
13	22B-23110-00	.INNER TUBE COMP.1	1	1	1	1	1	(KAYABA MODEL)
14	5BN-23171-00	.PISTON, FRONT FORK	1	1	1	1	1	
15	22B-23170-00	.CYLINDER COMP., FRONT FORK	1	1	1	1	1	(KAYABA MODEL)
16	4YR-23173-00	.SPINDLE, TAPER	1	1	1	1	1	
17	3D8-23181-00	.BOLT, HEXAGON SOCKET HEAD	1	1	1	1	1	(KAYABA MODEL)
18	509-23158-L0	.GASKET	1	1	1	1	1	
19	22B-23103-00	FRONT FORK ASSY (R.H)	1	1	1	1	1	(KAYABA MODEL)
20	22B-23136-00	.TUBE, OUTER (RIGHT)	1	1	1	1	1	(KAYABA MODEL)
21	4FM-23125-40	.METAL, SLIDE 1	1	1	1	1	1	
22	36Y-23146-10	.WASHER, OIL SEAL	1	1	1	1	1	
23	4EB-23145-01	.OIL SEAL	1	1	1	1	1	
24	26H-23156-00	.RING, SNAP	1	1	1	1	1	
25	4EB-23144-00	.SEAL, DUST	1	1	1	1	1	
26	1D0-23111-00	.BOLT, CAP	1	1	1	1	1	
27	43F-23188-10	.O-RING	1	1	1	1	1	



22B5300-K230

FIG. 23 FRONT FORK 2

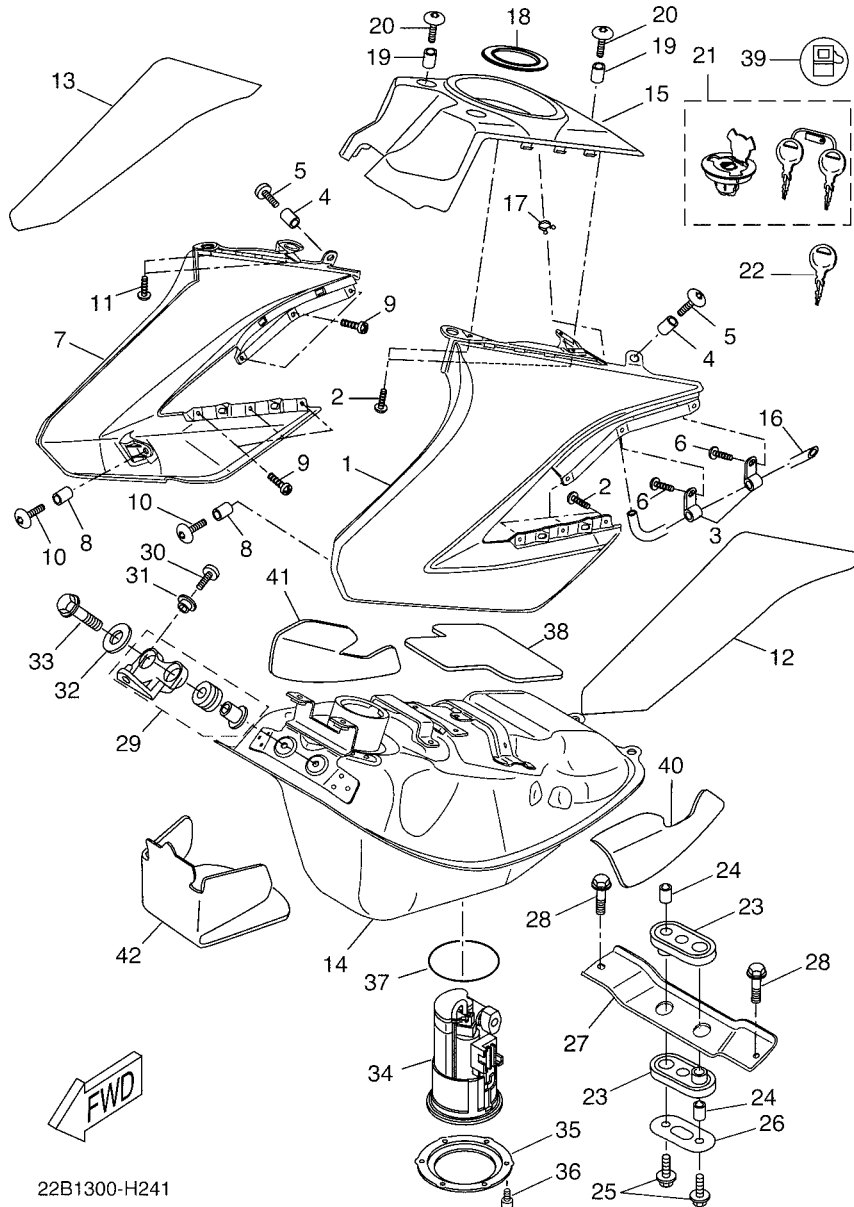
REF. NO.	PART NO.	DESCRIPTION	01	02	03	04	05	REMARKS
28	4DW-23149-40	.WASHER, SPRING UPPER	1	1	1	1	1	
29	22B-23118-00	.SPACER	1	1	1	1	1	(KAYABA MODEL)
30	22B-23141-00	.SPRING, FRONT FORK	1	1	1	1	1	(KAYABA MODEL)
31	22B-23110-00	.INNER TUBE COMP.1	1	1	1	1	1	(KAYABA MODEL)
32	5BN-23171-00	..PISTON, FRONT FORK	1	1	1	1	1	
33	22B-23170-00	.CYLINDER COMP., FRONT FORK	1	1	1	1	1	(KAYABA MODEL)
34	4YR-23173-00	.SPINDLE, TAPER	1	1	1	1	1	
35	3D8-23181-00	.BOLT, HEXAGON SOCKET HEAD	1	1	1	1	1	(KAYABA MODEL)
36	509-23158-L0	.GASKET	1	1	1	1	1	
37	91312-08025	.BOLT	2	2	2	2	2	
38	22B-23340-00	UNDER BRACKET COMP.	1	1	1	1	1	(KAYABA MODEL)
39	22B-F314F-20	PROTECTOR GUIDE COMP, 1	1	1	1	1	1	(FOR KAYABA MODEL)
40	90105-05016	BOLT, FLANGE	1	1	1	1	1	
41	22B-F314G-20	PROTECTOR GUIDE COMP, 2	1	1	1	1	1	(FOR KAYABA MODEL)
42	90105-05016	BOLT, FLANGE	1	1	1	1	1	
43	22B-F315H-10	PROTECTOR 1	1	1	1	1	1	(FOR KAYABA MODEL)
44	90111-05011	BOLT,HEX. SOCKET BUTTON	4	4	4	4	4	
45	22B-F315J-10	PROTECTOR 2	1	1	1	1	1	(FOR KAYABA MODEL)
46	90464-12X01	CLAMP	1	1	1	1	1	
47	22B-F3318-00	HOLDER, CABLE 1	2	2	2	2	2	
48	90105-05016	BOLT, FLANGE	2	2	2	2	2	



22B1300-H241

FIG. 24 FUEL TANK

REF. NO.	PART NO.	DESCRIPTION	01	02	03	04	05	REMARKS
1	22B-F1731-00	COVER, SIDE 3	1	1	1	1	1	UR FOR DPBSE
	22B-F1731-20	COVER, SIDE 3	1	1	1	1	1	UR FOR PWS1
2	97707-40010	SCREW, TAPPING	6	6	6	6	6	
3	90461-11099	CLAMP	2	2	2	2	2	
4	90387-06X50	COLLAR	2	2	2	2	2	
5	90111-06X17	BOLT,HEX. SOCKET BUTTON	2	2	2	2	2	
6	97702-40012	SCREW, TAPPING	2	2	2	2	2	
7	22B-F1741-00	COVER, SIDE 4	1	1	1	1	1	UR FOR DPBSE
	22B-F1741-20	COVER, SIDE 4	1	1	1	1	1	UR FOR PWS1
8	90387-06X50	COLLAR	2	2	2	2	2	
9	97707-40010	SCREW, TAPPING	6	6	6	6	6	
10	90111-06X17	BOLT,HEX. SOCKET BUTTON	2	2	2	2	2	
11	97707-40010	SCREW, TAPPING	2	2	2	2	2	
12	22B-F174G-30	GRAPHIC, 3	1	1	1	1	1	UR FOR DPBSE
	22B-F174G-40	GRAPHIC, 3	1	1	1	1	1	UR FOR PWS1
13	22B-F174H-30	GRAPHIC, 4	1	1	1	1	1	UR FOR DPBSE
	22B-F174H-40	GRAPHIC, 4	1	1	1	1	1	UR FOR PWS1
14	22B-F4110-00	FUEL TANK COMP.	1	1	1	1	1	
15	22B-F4141-00	PROTECTOR, FUEL TANK	1	1	1	1	1	
16	22B-F4318-00	PIPE, OVERFLOW	1	1	1	1	1	
17	90467-08003	CLIP	1	1	1	1	1	
18	5SE-F414G-00	SEAL	1	1	1	1	1	
19	90387-06X19	COLLAR	4	4	4	4	4	
20	90111-06X19	BOLT,HEX. SOCKET BUTTON	4	4	4	4	4	
21	22B-F4602-02	CAP ASSY	1	1	1	1	1	
22	5D7-H2511-09	BLANK KEY	1	1	1	1	1	
23	22B-F4181-00	DAMPER, LOCATING 1	2	2	2	2	2	



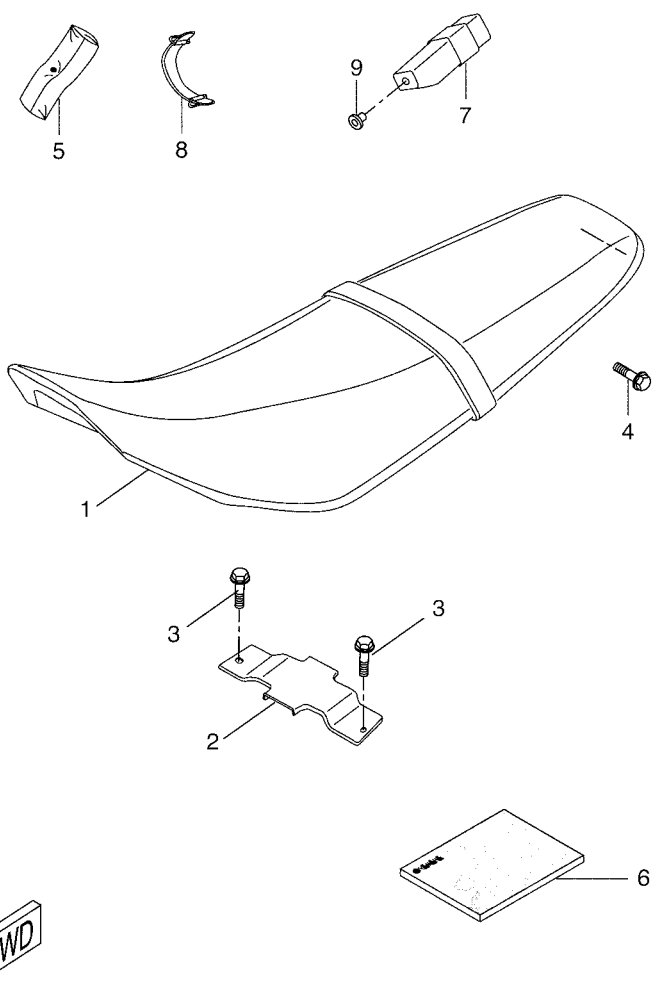
22B1300-H241

FIG. 24 FUEL TANK

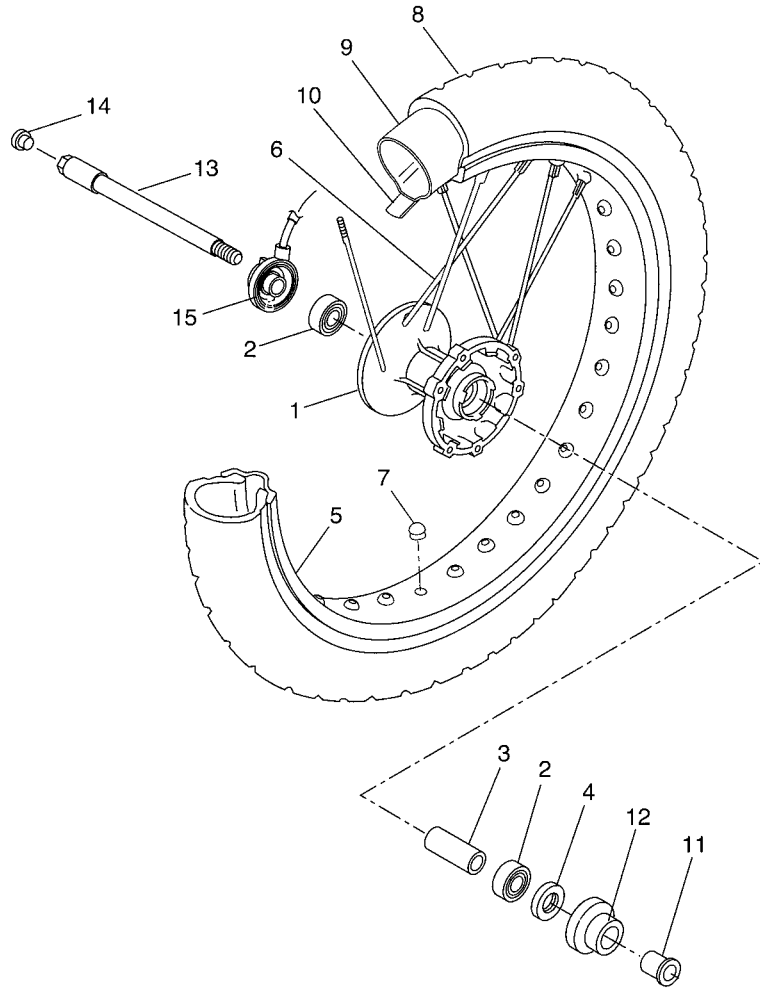
REF. NO.	PART NO.	DESCRIPTION	01	02	03	04	05	REMARKS
24	90387-06028	COLLAR	2	2	2	2	2	
25	95807-06030	BOLT, FLANGE	2	2	2	2	2	
26	22B-F4186-00	WASHER, SPECIAL	1	1	1	1	1	
27	22B-F4192-00	BRACKET, FUEL TANK 2	1	1	1	1	1	
28	90105-06X24	BOLT, FLANGE	2	2	2	2	2	
29	22B-F4104-00	TANK BRACKET ASSY	1	1	1	1	1	
30	90149-06022	SCREW	1	1	1	1	1	
31	90387-061U9	COLLAR	1	1	1	1	1	
32	90201-06X08	WASHER, PLATE	2	2	2	2	2	
33	95022-06025	BOLT, FLANGE	2	2	2	2	2	
34	22B-13907-00	FUEL PUMP COMP.	1	1	1	1	1	
35	3D7-24491-00	BRACKET, FUEL PUMP	1	1	1	1	1	
36	92012-05016	BOLT, BUTTON HEAD	6	6	6	6	6	
37	1S4-24486-00	O-RING	1	1	1	1	1	
38	22B-F4193-00	SEAT, TANK PROTECTOR	1	1	1	1	1	
39	5DN-F415A-10	LABEL, CAUTION	1	1	1	1	1	
40	22B-F4184-00	DAMPER, LOCATING 4	1	1	1	1	1	
41	22B-F4185-00	DAMPER, LOCATING 5	1	1	1	1	1	
42	22B-F414H-01	DAMPER, PLATE 1	1	1	1	1	1	

FIG. 25 SEAT

REF. NO.	PART NO.	DESCRIPTION	01	02	03	04	05	REMARKS
1	22B-F4770-31	SEMI-DOUBLE SEAT ASSY	1	1	1	1	1	UR FOR DPBSE
	22B-F4770-60	SEMI-DOUBLE SEAT ASSY	1	1	1	1	1	UR FOR PWS1
2	22B-F471A-00	STAY, SEAT	1	1	1	1	1	
3	95817-08014	BOLT, FLANGE	2	2	2	2	2	
4	90109-085E2	BOLT	2	2	2	2	2	
5	22B-F8100-00	TOOL KIT	1	1	1	1	1	
6	22B-F8199-E2	MANUAL,OWNER'S					1	UR (ENGLISH)
	22B-F8199-F2	MANUAL,OWNER'S	1	1	1			UR (FRENCH)
	22B-F8199-G2	MANUAL,OWNER'S	1	1	1			UR (GERMAN)
	22B-F8199-H2	MANUAL,OWNER'S	1	1	1			UR (ITALIAN)
7	4GY-21107-00	TOOL BOX COMP.	1	1	1	1	1	
8	133-82131-00	BAND, BATTERY	1	1	1	1	1	
9	90480-10408	GROMMET	1	1	1	1	1	



22B1300-H250

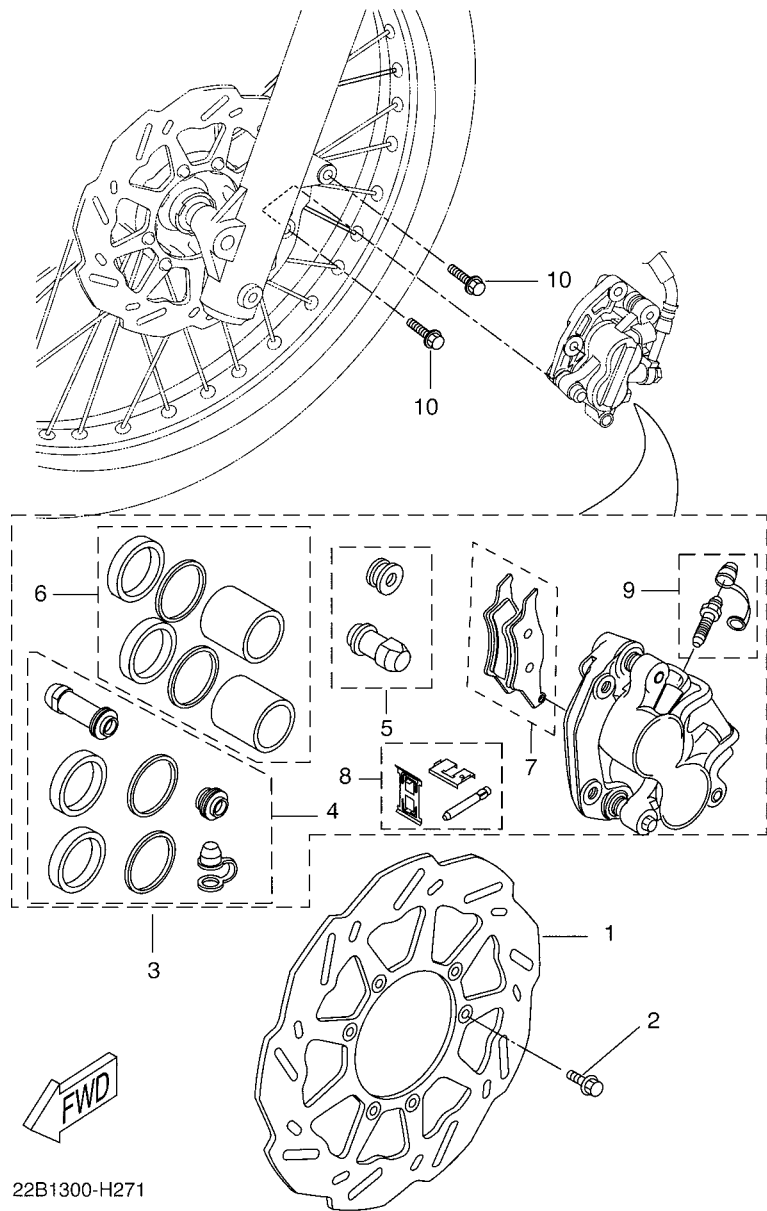



22B1300-H260

FIG. 26 FRONT WHEEL

REF. NO.	PART NO.	DESCRIPTION	01	02	03	04	05	REMARKS
1	34X-25111-02-P0	HUB, FRONT	1	1	1	1	1	S3 FOR DPBSE,PWS1
2	93306-20205	BEARING	2	2	2	2	2	KOYO
3	90560-15290	SPACER	1	1	1	1	1	
4	93102-20281	OIL SEAL (SD 20-35-5)	1	1	1	1	1	
5	94416-21007	RIM (1.60-21)	1	1	1	1	1	
6	22B-25104-00	SPOKE SET, FRONT	1	1	1	1	1	
7	90338-09130	PLUG	1	1	1	1	1	
8	*	TIRE (80/90-21 M/C 48P)	1	1	1	1	1	AP LM MICHELIN T6
	*	TIRE (80/90-21 M/C 48P)	1	1	1	1	1	AP LM PIRELLI RAL
	*	TIRE (80/90-21 M/C 48S)	1	1	1	1	1	AP LM PIRELLI SCO
	*	TIRE (80/90-21 M/C 48R)	1	1	1	1	1	AP LM MICHELIN SI
9	*	TUBE	1	1	1	1	1	AP LM
	*	TUBE	1	1	1	1	1	AP LM
10	*	BAND, RIM	1	1	1	1	1	AP LM
	*	BAND, RIM	1	1	1	1	1	AP LM
11	90387-15600	COLLAR	1	1	1	1	1	
12	322-25118-00	COVER, HUB DUST	1	1	1	1	1	
13	55U-25181-01	AXLE, WHEEL	1	1	1	1	1	
14	90338-11125	PLUG	1	1	1	1	1	
15	22B-H3755-00	SENSOR, SPEED	1	1	1	1	1	

FIG. 27 FRONT BRAKE CALIPER



REF. NO.	PART NO.	DESCRIPTION	01	02	03	04	05	REMARKS
1	22B-F582T-01	DISC, BRAKE (LEFT)	1	1	1	1	1	
2	90109-065G4	BOLT	6	6	6	6	6	
3	22B-F580T-00	CALIPER ASSY (LEFT)	1	1	1	1	1	
4	1S6-W0047-00	.CALIPER SEAL KIT	1	1	1	1	1	
5	22B-F5917-10	.BOOT, CALIPER	1	1	1	1	1	
6	1S6-W0057-00	.PISTON ASSY, CALIPER	1	1	1	1	1	
7	22B-F5811-00	.PAD, CALIPER 2	1	1	1	1	1	
8	22B-F5924-10	.PIN, PAD	1	1	1	1	1	
9	1S6-W0048-00	.BLEED SCREW KIT	1	1	1	1	1	
10	90105-08X00	BOLT, FLANGE	2	2	2	2	2	

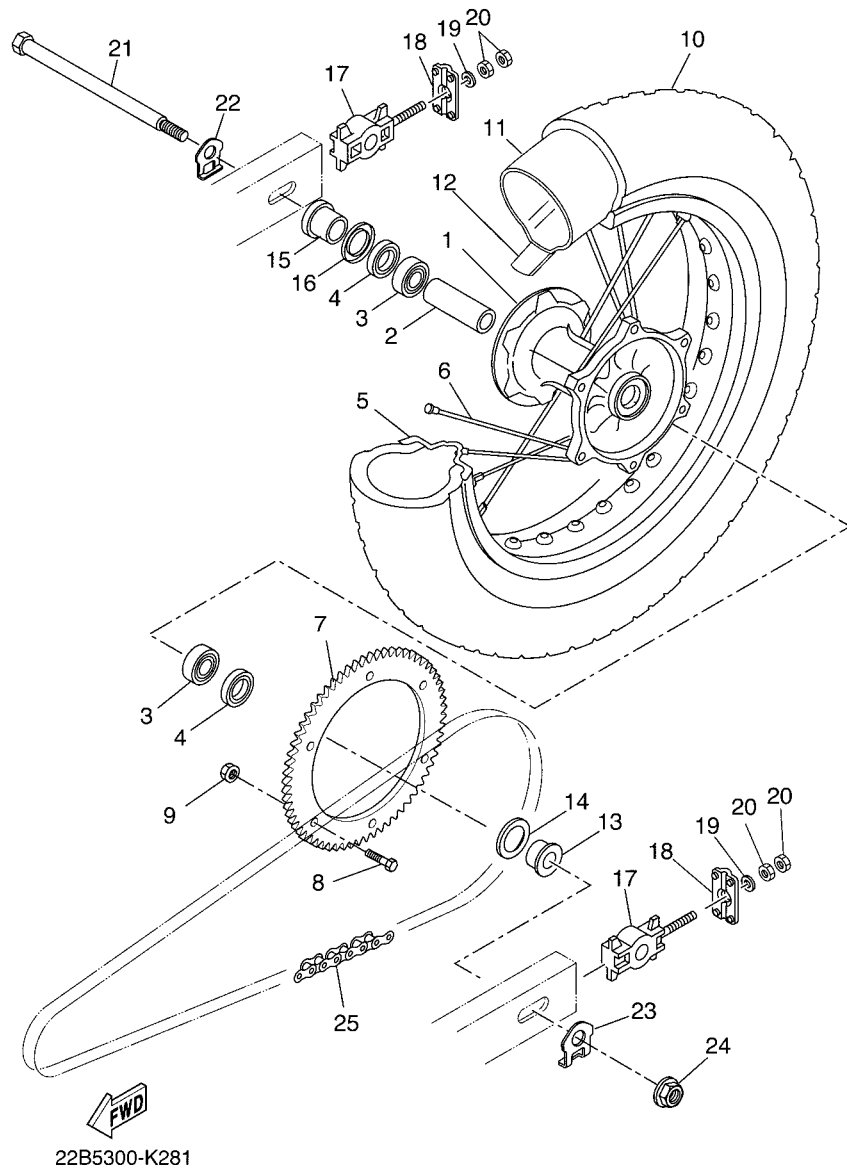


FIG. 28 REAR WHEEL

REF. NO.	PART NO.	DESCRIPTION	01	02	03	04	05	REMARKS
1	3BN-25311-02-P0	HUB, REAR	1	1	1	1	1	S3 FOR DPBSE,PWS1
2	90560-20340	SPACER	1	1	1	1	1	
3	93306-00416	BEARING	2	2	2	2	2	
4	93106-28023	OIL SEAL	2	2	2	2	2	
5	94421-18X01	RIM (2.15-18)	1	1	1	1	1	
6	22B-25304-01	SPOKE SET, REAR	1	1	1	1	1	
7	22B-F5453-00	SPROCKET, DRIVEN (53T)	1	1	1	1	1	
8	90109-08618	BOLT	6	6	6	6	6	
9	90185-08146	NUT, SELF-LOCKING	6	6	6	6	6	
10	*	TIRE (110/80-18 M/C 58P)	1	1	1	1	1	AP LM MICHELIN T6
	*	TIRE (110/80-18 M/C 58P)	1	1	1	1	1	AP LM PIRELLI RAL
	*	TIRE (110/80-18 M/C 58S)	1	1	1	1	1	AP LM PIRELLI SCO
	*	TIRE (110/80-18 M/C 58R)	1	1	1	1	1	AP LM MICHELIN SI
11	*	TUBE	1	1	1	1	1	AP LM
	*	TUBE	1	1	1	1	1	AP LM
12	*	BAND, RIM	1	1	1	1	1	AP LM
	*	BAND, RIM	1	1	1	1	1	AP LM
13	22B-F5383-00	COLLAR, WHEEL	1	1	1	1	1	
14	4V4-25367-00	COVER, HUB DUST	1	1	1	1	1	
15	90387-202U8	COLLAR	1	1	1	1	1	
16	4V4-25367-00	COVER, HUB DUST	1	1	1	1	1	
17	22B-F5388-00	PULLER, CHAIN 1	2	2	2	2	2	
18	5VK-F2174-00	END 1	2	2	2	2	2	
19	92907-08600	WASHER, PLATE	2	2	2	2	2	
20	95307-08600	NUT	4	4	4	4	4	
21	22B-F5381-00	AXLE, WHEEL	1	1	1	1	1	
22	22B-F5384-00	WASHER, WHEEL	1	1	1	1	1	

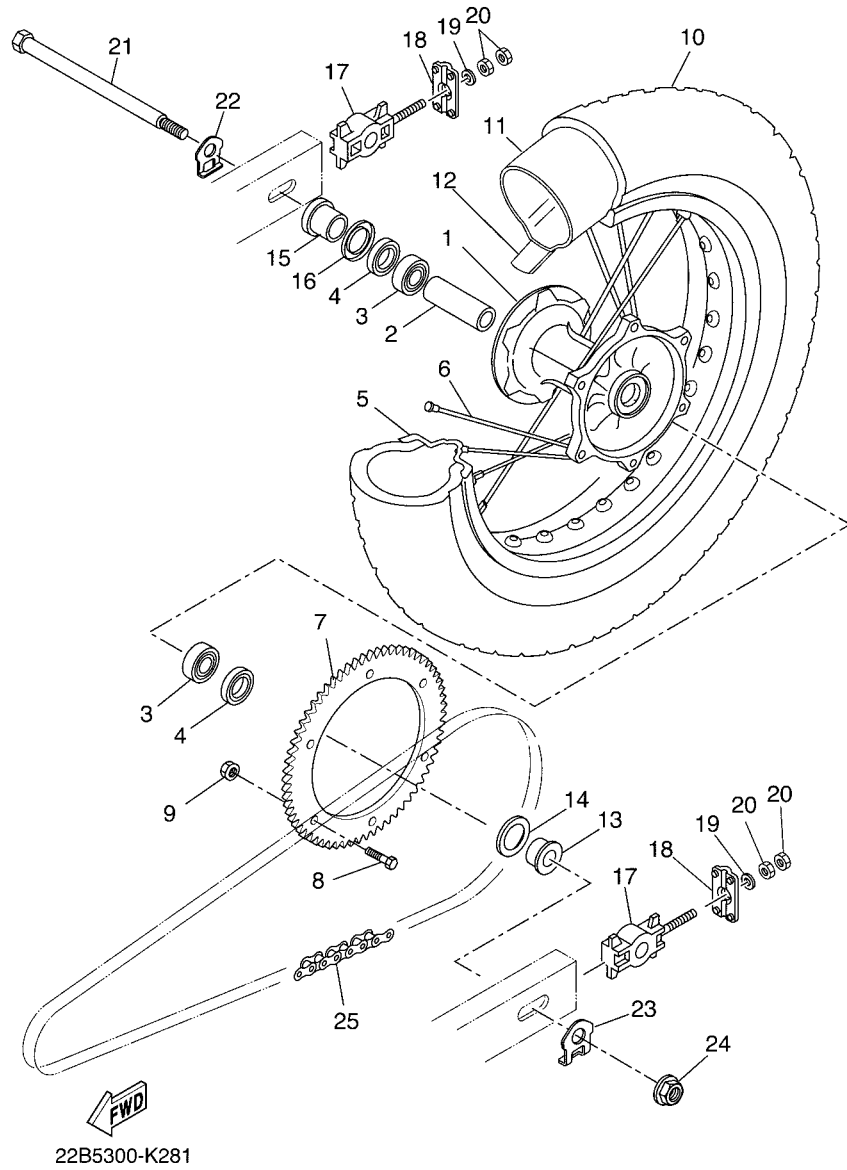


FIG. 28 REAR WHEEL

REF. NO.	PART NO.	DESCRIPTION	01	02	03	04	05	REMARKS
23	22B-F5384-10	WASHER, WHEEL	1	1	1	1	1	
24	95604-18200	NUT, SELF-LOCKING	1	1	1	1	1	
25	9456X-12132	CHAIN	1	1	1	1	1	

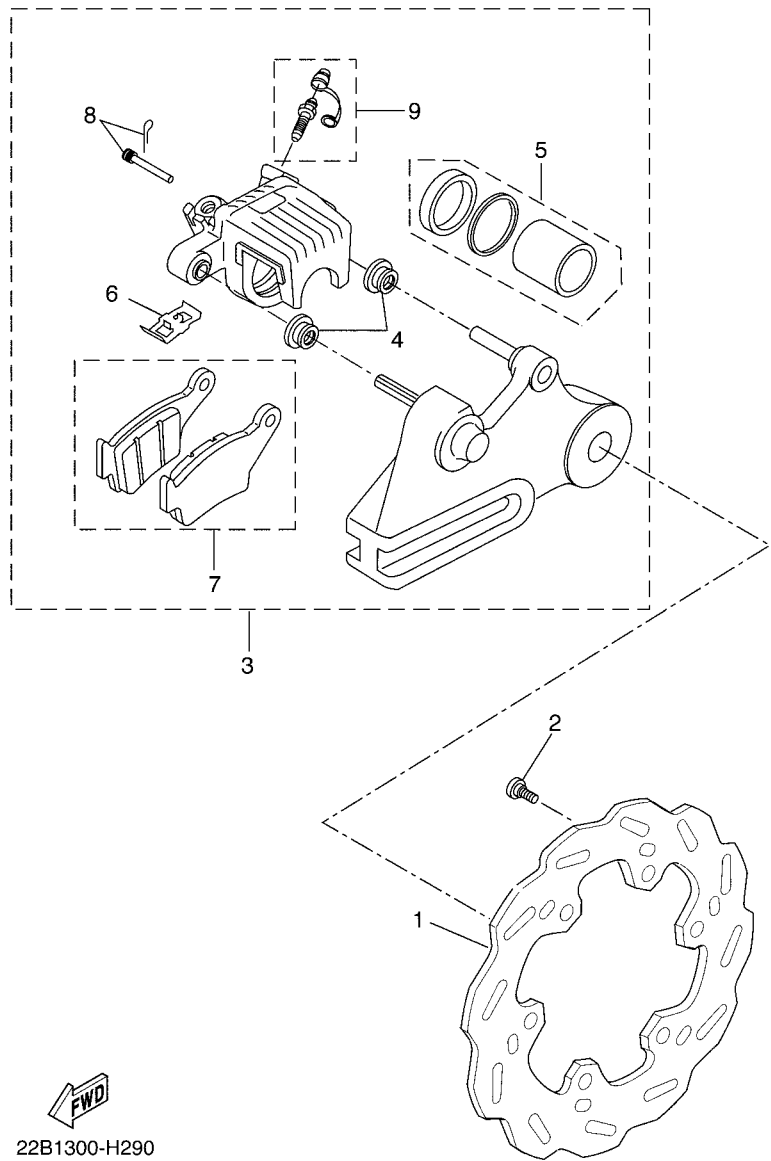
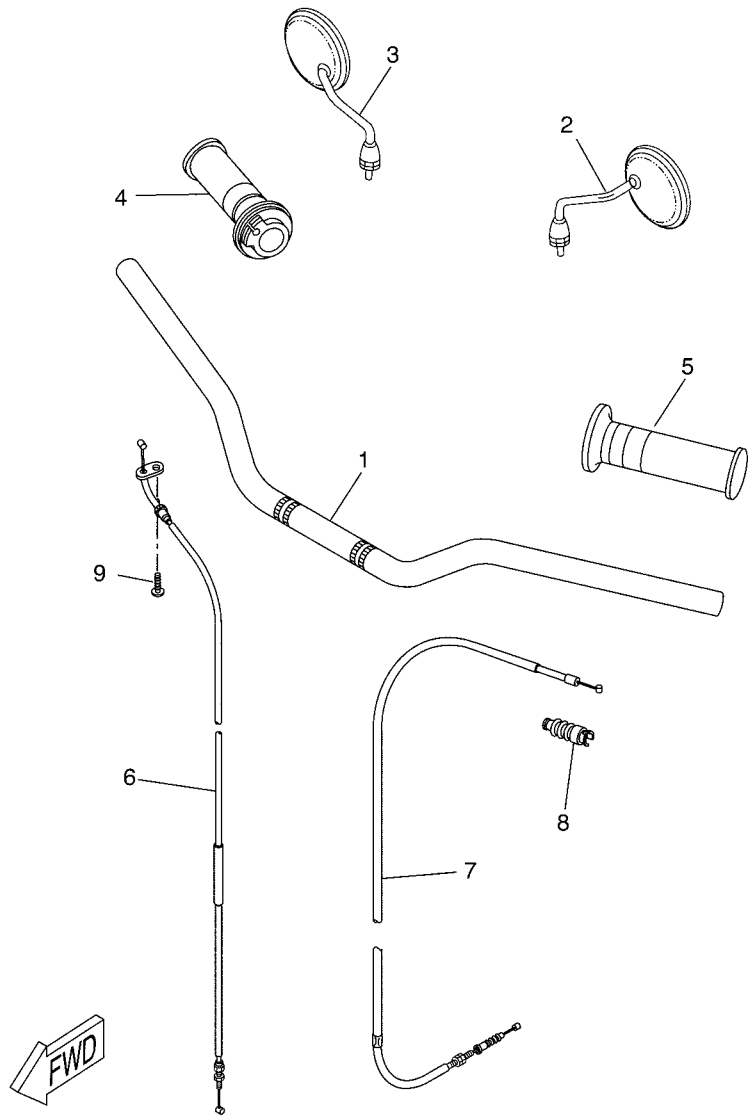


FIG. 29 REAR BRAKE CALIPER

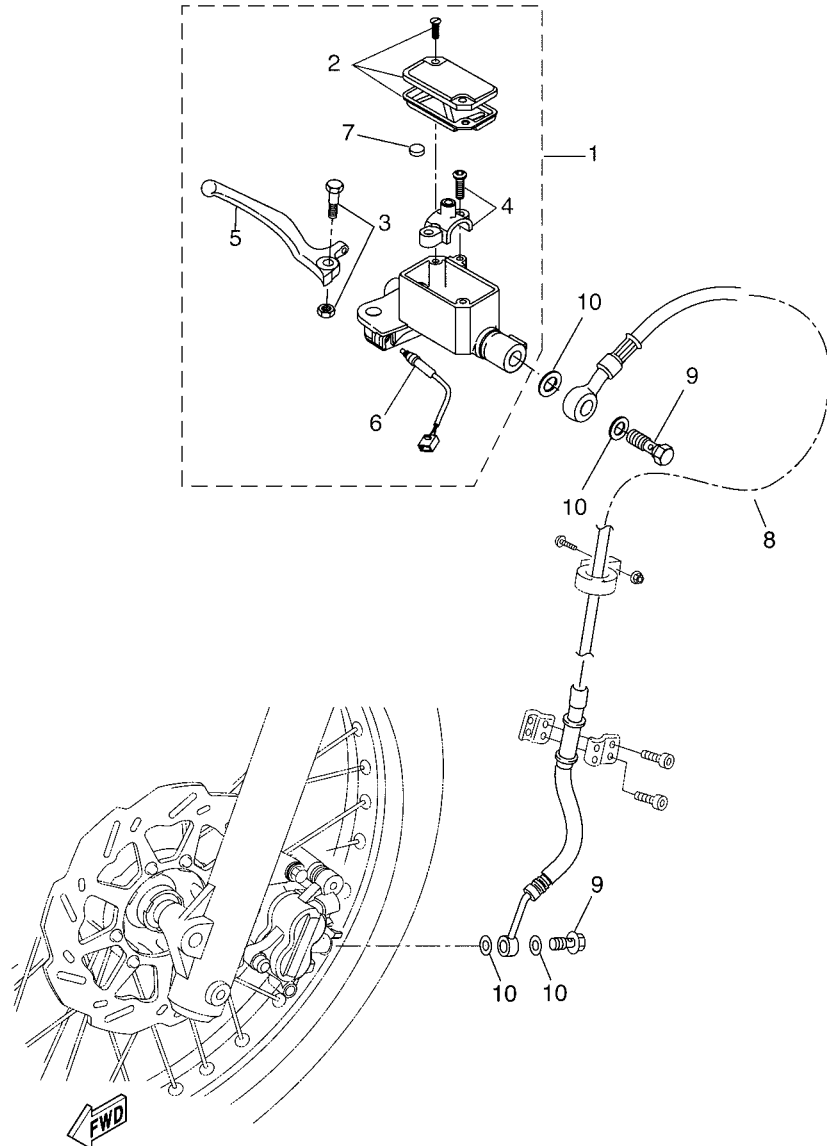
REF. NO.	PART NO.	DESCRIPTION	01	02	03	04	05	REMARKS
1	22B-F582W-01	DISK, REAR BRAKE 2	1	1	1	1	1	
2	90109-065F3	BOLT	6	6	6	6	6	
3	22B-F580W-00	CALIPER ASSY, REAR 2	1	1	1	1	1	
4	22B-F5917-00	.BOOT, CALIPER	1	1	1	1	1	
5	22B-F5809-00	.PISTON SET, CALIPER	1	1	1	1	1	
6	22B-F5919-00	.SUPPORT, PAD	1	1	1	1	1	
7	22B-F5911-00	.PAD, CALIPER 2	1	1	1	1	1	
8	22B-F5924-00	.PIN, PAD	1	1	1	1	1	
9	5D7-F5824-00	.SCREW, BLEED	1	1	1	1	1	

FIG. 30 STEERING HANDLE & CABLE



22B1300-H300

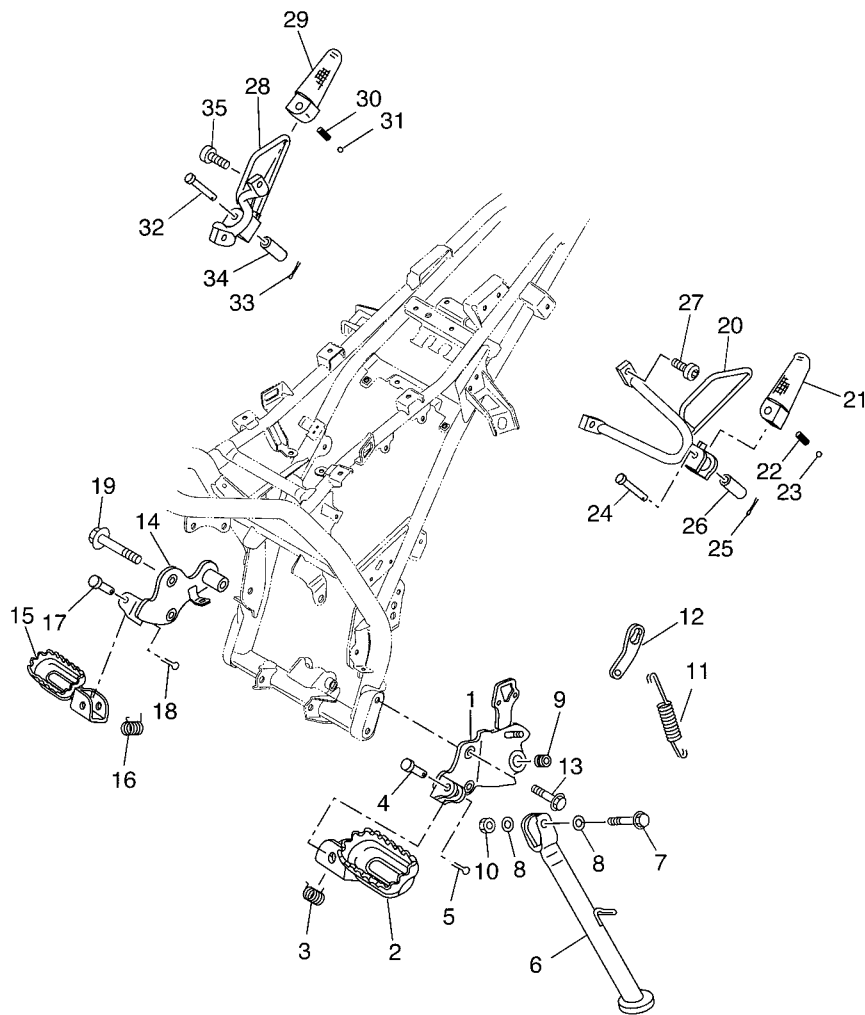
REF. NO.	PART NO.	DESCRIPTION	01	02	03	04	05	REMARKS
1	22B-F6111-00	HANDLEBAR	1	1	1	1	1	
2	22B-F6280-00	REAR VIEW MIRROR ASSY (LEFT)	1	1	1	1	1	
3	22B-F6290-00	REAR VIEW MIRROR ASSY (RIGHT)	1	1	1	1	1	
4	22B-F6240-00	GRIP ASSY	1	1	1	1	1	
5	4GY-26241-00	GRIP	1	1	1	1	1	
6	22B-F6311-00	CABLE, THROTTLE 1	1	1	1	1	1	
7	22B-F6335-00	CABLE, CLUTCH	1	1	1	1	1	
8	1E6-26342-00	BOOT, CABLE	1	1	1	1	1	
9	98507-05016	SCREW, PAN HEAD	1	1	1	1	1	



22B1300-H311

FIG. 31 FRONT MASTER CYLINDER

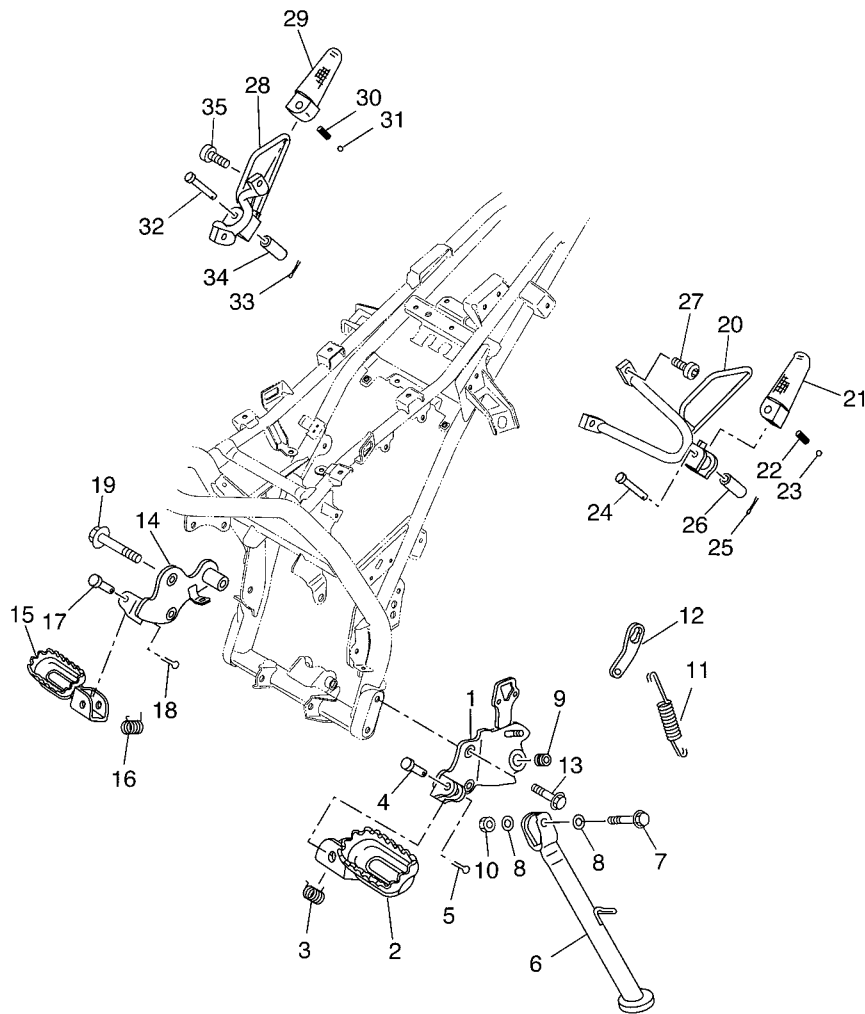
REF. NO.	PART NO.	DESCRIPTION	01	02	03	04	05	REMARKS
1	22B-F583T-01	MASTER CYLINDER ASSY	1	1	1	1	1	
2	4SB-F5852-00	.CAP, RESERVOIR	1	1	1	1	1	CAP + DIAPHRAGM +
3	5JH-H3945-00	.BOLT, LEVER	1	1	1	1	1	BOLT + NUT
4	22B-F5867-00	.BRACKET, MASTER CYLINDER	1	1	1	1	1	HOLDER + BOLT
5	5D7-H3922-00	.LEVER 2	1	1	1	1	1	
6	22B-H3980-00	.FRONT STOP SWITCH ASSY	1	1	1	1	1	
7	4GV-F589A-00	.COVER, DUST	1	1	1	1	1	
8	22B-F5872-00	HOSE, BRAKE 1	1	1	1	1	1	
9	90401-10X03	BOLT, UNION	2	2	2	2	2	
10	90201-10X03	WASHER, PLATE	4	4	4	4	4	



FWD
22B1300-H320

FIG. 32 STAND & FOOTREST

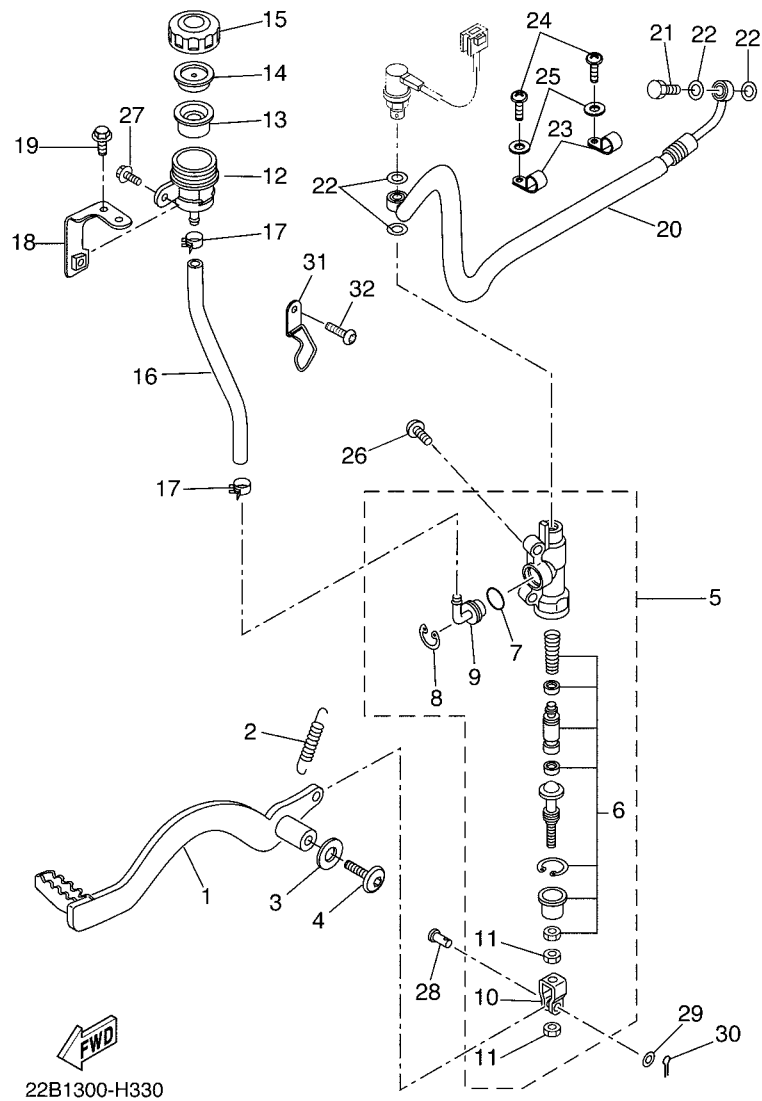
REF. NO.	PART NO.	DESCRIPTION	01	02	03	04	05	REMARKS
1	22B-F7412-01	BRACKET, FOOTREST 1	1	1	1	1	1	
2	3LD-27411-08	FOOTREST 1	1	1	1	1	1	
3	90508-20X02	SPRING, TORSION	1	1	1	1	1	
4	90240-10101	PIN, CLEVIS	1	1	1	1	1	
5	91401-25015	PIN, COTTER	1	1	1	1	1	
6	22B-F7311-00	STAND, SIDE	1	1	1	1	1	
7	90101-10034	BOLT	1	1	1	1	1	
8	90201-101J1	WASHER, PLATE	2	2	2	2	2	
9	90387-10003	COLLAR	1	1	1	1	1	
10	90185-10060	NUT, SELF-LOCKING	1	1	1	1	1	
11	90506-22002	SPRING, TENSION	1	1	1	1	1	
12	5XT-27315-01	LINK, SIDE STAND	1	1	1	1	1	
13	95817-10025	BOLT, FLANGE	2	2	2	2	2	
14	22B-F7422-01	BRACKET, FOOTREST 2	1	1	1	1	1	
15	3LD-27421-08	FOOTREST 2	1	1	1	1	1	
16	90508-20X03	SPRING, TORSION	1	1	1	1	1	
17	90240-10101	PIN, CLEVIS	1	1	1	1	1	
18	91401-25015	PIN, COTTER	1	1	1	1	1	
19	95817-10025	BOLT, FLANGE	2	2	2	2	2	
20	22B-F7432-00	BRACKET 1	1	1	1	1	1	
21	5WX-F7431-00	FOOTREST, REAR 1	1	1	1	1	1	
22	90501-12743	SPRING, COMPRESSION	1	1	1	1	1	
23	93501-04011	BALL	1	1	1	1	1	
24	90240-06042	PIN, CLEVIS	1	1	1	1	1	
25	91401-16012	PIN, COTTER	1	1	1	1	1	
26	90387-064H8	COLLAR	1	1	1	1	1	
27	92017-08020	BOLT, BUTTON HEAD	2	2	2	2	2	



22B1300-H320

FIG. 32 STAND & FOOTREST

REF. NO.	PART NO.	DESCRIPTION	01	02	03	04	05	REMARKS
28	22B-F7442-00	BRACKET 2	1	1	1	1	1	
29	5WX-F7441-00	FOOTREST, REAR 2	1	1	1	1	1	
30	90501-12743	SPRING, COMPRESSION	1	1	1	1	1	
31	93501-04011	BALL	1	1	1	1	1	
32	90240-06042	PIN, CLEVIS	1	1	1	1	1	
33	91401-16012	PIN, COTTER	1	1	1	1	1	
34	90387-064H8	COLLAR	1	1	1	1	1	
35	92017-08020	BOLT, BUTTON HEAD	2	2	2	2	2	



22B1300-H330

FIG. 33 REAR MASTER CYLINDER

REF. NO.	PART NO.	DESCRIPTION	01	02	03	04	05	REMARKS
1	22B-F7211-10	PEDAL, BRAKE	1	1	1	1	1	AP
	22B-F7211-00	PEDAL, BRAKE	1	1	1	1	1	AP
2	90506-18305	SPRING, TENSION	1	1	1	1	1	
3	90201-086P8	WASHER, PLATE	1	1	1	1	1	
4	92017-08020	BOLT, BUTTON HEAD	1	1	1	1	1	
5	3BN-2583V-00	RR. MASTER CYLINDER ASSY.	1	1	1	1	1	
6	3BN-W0042-50	.CYLINDER KIT, MASTER	1	1	1	1	1	
7	93210-15620	.O-RING	1	1	1	1	1	
8	2VN-25866-00	.CIRCLIP	1	1	1	1	1	
9	2VN-2582A-50	.JOINT	1	1	1	1	1	
10	2YK-27222-00	.JOINT	1	1	1	1	1	
11	95307-08600	.NUT	2	2	2	2	2	
12	2VN-25894-00	TANK, RESERVOIR	1	1	1	1	1	
13	2VN-25854-00	DIAPHRAGM, RESERVOIR	1	1	1	1	1	
14	2VN-25855-00	BUSH,DIAPHRAGM	1	1	1	1	1	
15	2VN-25852-50	CAP, RESERVOIR	1	1	1	1	1	
16	22B-F5895-00	HOSE, RESERVOIR	1	1	1	1	1	
17	90467-11044	CLIP	2	2	2	2	2	
18	22B-F5896-00	PLATE, RESERVOIR	1	1	1	1	1	
19	90105-05025	BOLT, FLANGE	1	1	1	1	1	
20	22B-F5873-00	HOSE, BRAKE 2	1	1	1	1	1	
21	90401-10X03	BOLT, UNION	1	1	1	1	1	
22	90201-10X03	WASHER, PLATE	4	4	4	4	4	
23	3D7-25876-00	HOLDER, BRAKE HOSE 2	2	2	2	2	2	
24	98507-05016	SCREW, PAN HEAD	2	2	2	2	2	
25	92907-05600	WASHER, PLATE	2	2	2	2	2	
26	95022-06016	BOLT, FLANGE	2	2	2	2	2	

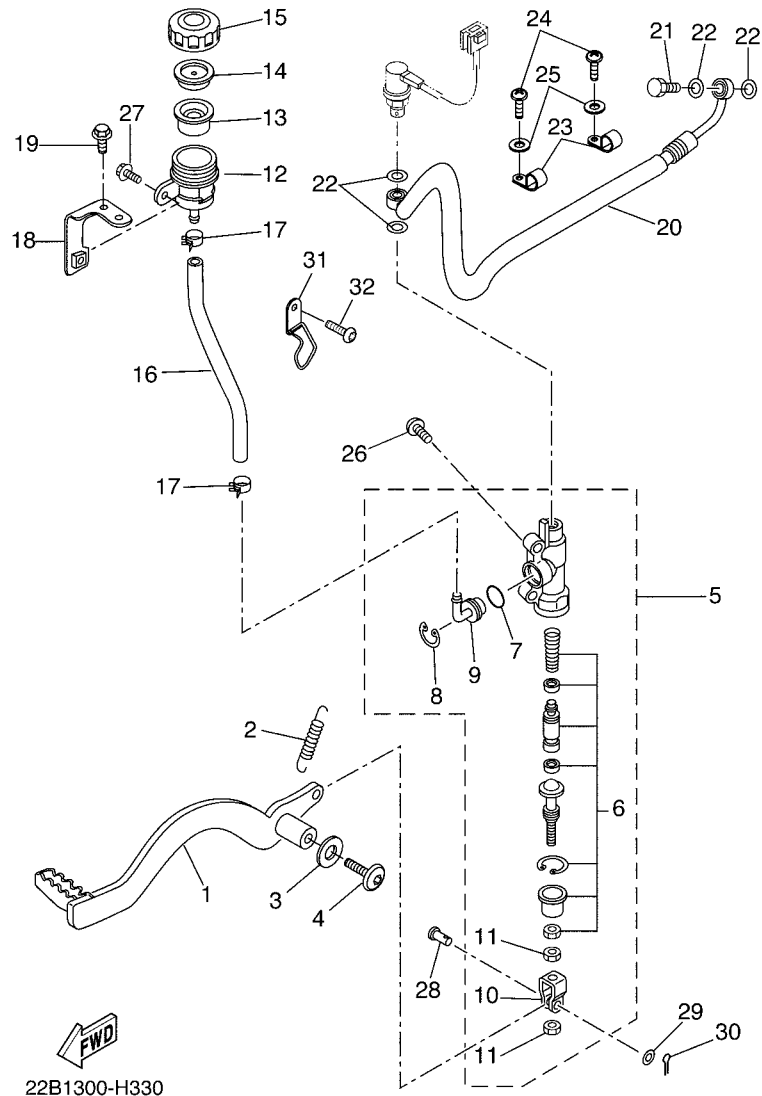
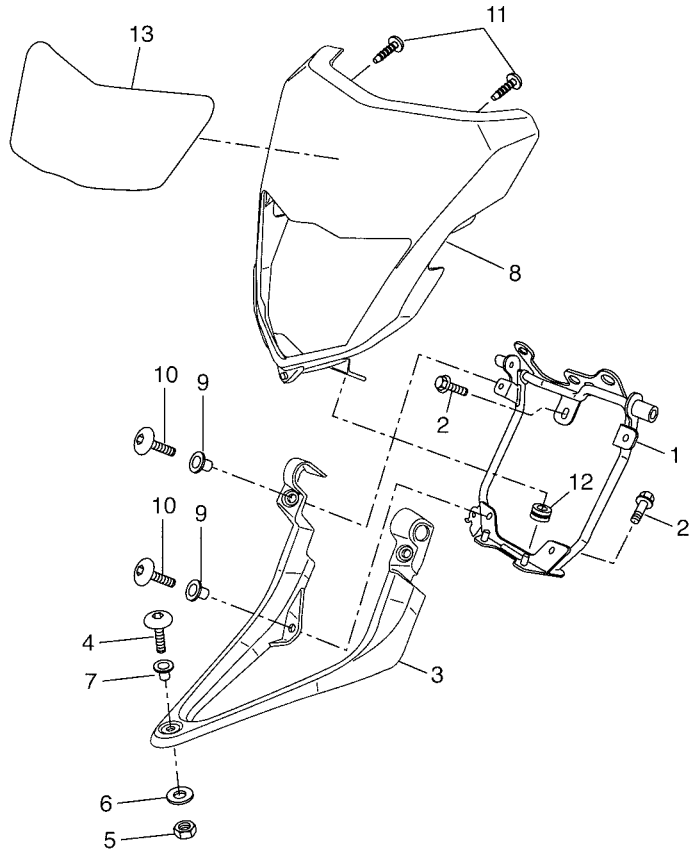


FIG. 33 REAR MASTER CYLINDER

REF. NO.	PART NO.	DESCRIPTION	01	02	03	04	05	REMARKS
27	90111-06X11	BOLT, HEX. SOCKET BUTTON	1	1	1	1	1	
28	90240-08124	PIN, CLEVIS	1	1	1	1	1	
29	90201-08083	WASHER, PLATE	1	1	1	1	1	
30	91401-16012	PIN, COTTER	1	1	1	1	1	
31	22B-F5886-10	HOLDER, BRAKE HOSE	1	1	1	1	1	
32	90105-06X24	BOLT, FLANGE	1	1	1	1	1	

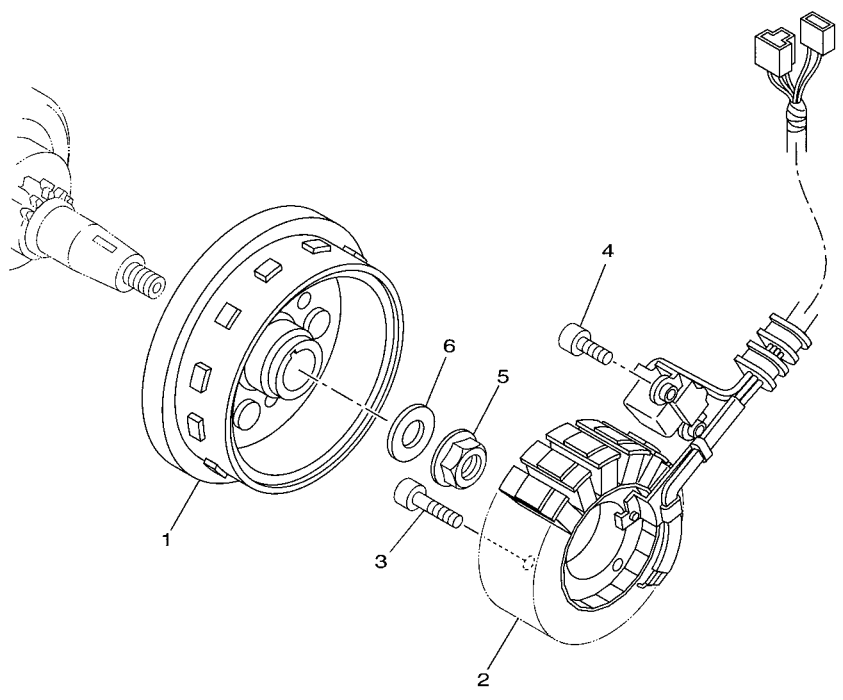


22B1300-H340

FIG. 34 COWLING 1

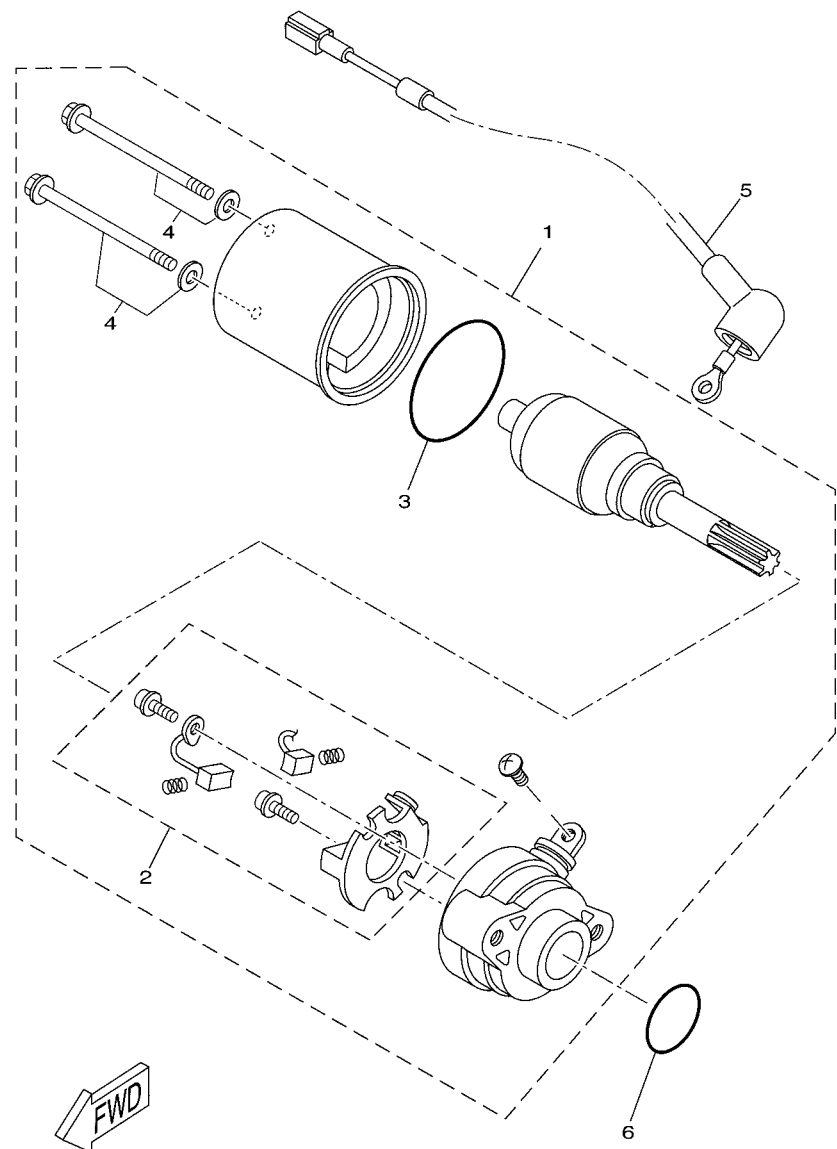
REF. NO.	PART NO.	DESCRIPTION	01	02	03	04	05	REMARKS
1	22B-F3174-10	STAY, HEADLIGHT	1	1	1	1	1	(FOR KAYABA MODEL
2	90105-06X24	BOLT, FLANGE	3	3	3	3	3	
3	22B-F8356-00	STAY 1	1	1	1	1	1	
4	90111-06X19	BOLT,HEX. SOCKET BUTTON	1	1	1	1	1	
5	90179-06X02	NUT	1	1	1	1	1	
6	90201-06X05	WASHER, PLATE	1	1	1	1	1	
7	90387-06X42	COLLAR	1	1	1	1	1	
8	22B-H4111-00	BODY, HEADLIGHT	1	1	1	1	1	UR FOR DPBSE
	22B-H4111-40	BODY, HEADLIGHT	1	1	1	1	1	UR FOR PWS1
9	90387-06X02	COLLAR	4	4	4	4	4	
10	90111-06X17	BOLT,HEX. SOCKET BUTTON	4	4	4	4	4	
11	97702-50516	SCREW, TAPPING	2	2	2	2	2	
12	90480-12020	GROMMET	2	2	2	2	2	
13	22B-H4141-30	EMBLEM, HEADLIGHT	1	1	1	1	1	UR FOR DPBSE
	22B-H4141-40	EMBLEM, HEADLIGHT	1	1	1	1	1	UR FOR PWS1

FIG. 35 GENERATOR



5D71300-G360

REF. NO.	PART NO.	DESCRIPTION	01	02	03	04	05	REMARKS
1	22B-H1450-00	ROTOR ASSY	1	1	1	1	1	
2	22B-H1410-00	STATOR ASSY	1	1	1	1	1	
3	91317-06025	BOLT	3	3	3	3	3	
4	91317-06016	BOLT	2	2	2	2	2	
5	95707-12500	NUT, FLANGE	1	1	1	1	1	
6	90201-12X07	WASHER, PLATE	1	1	1	1	1	



5D71300-G370

FIG. 36 STARTING MOTOR

REF. NO.	PART NO.	DESCRIPTION	01	02	03	04	05	REMARKS
1	5D7-H1890-01	MOTOR ASSY	1	1	1	1	1	
2	3AY-H1801-00	.BRUSH SET	1	1	1	1	1	
3	3AY-H182M-00	.O-RING	1	1	1	1	1	
4	3AY-H1828-00	.SCREW 1	2	2	2	2	2	
5	5D7-8183G-00	CORD COMP.	1	1	1	1	1	
6	93210-26808	O-RING	1	1	1	1	1	

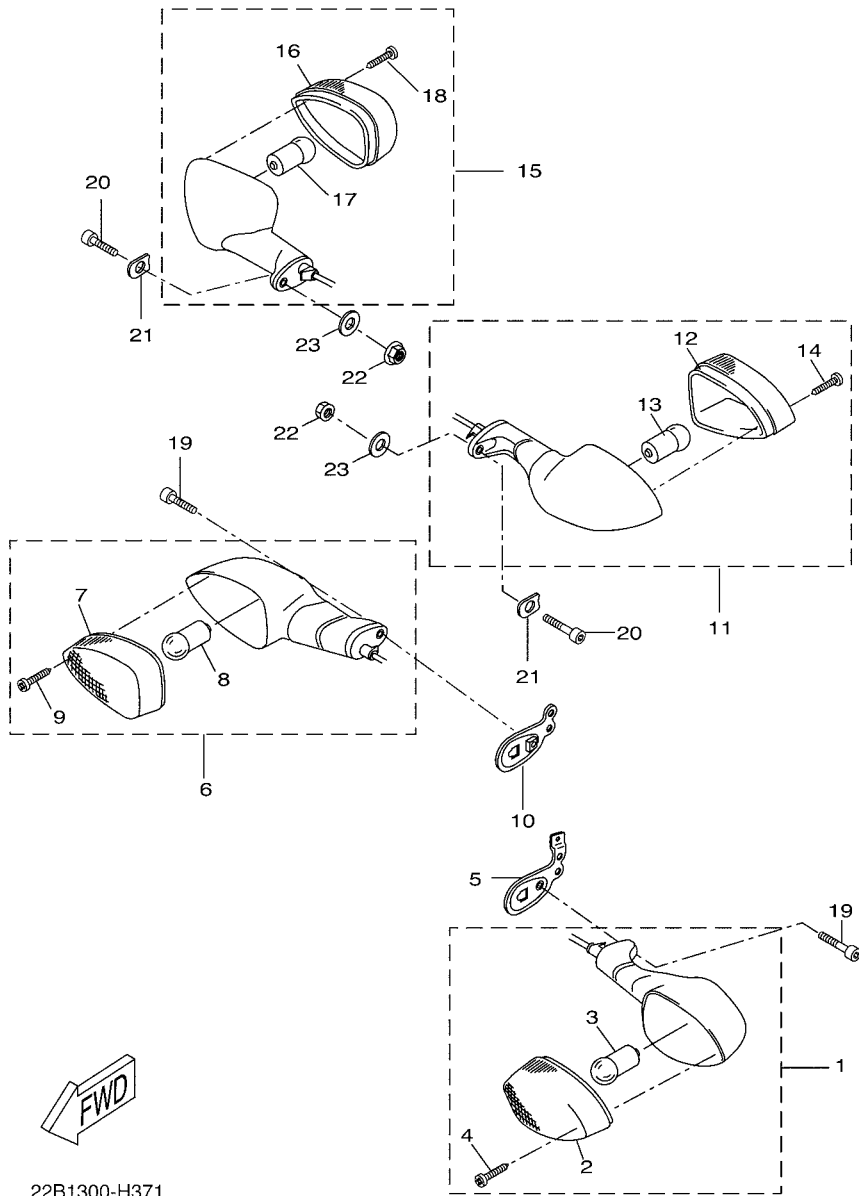
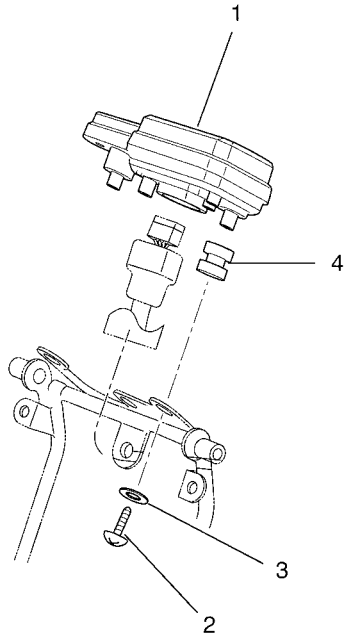
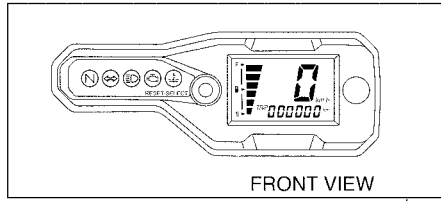


FIG. 37 FLASHER LIGHT

REF. NO.	PART NO.	DESCRIPTION	01	02	03	04	05	REMARKS
1	22B-H3310-11	FRONT FLASHER LIGHT ASSY 1	1	1	1	1	1	
2	22B-H3312-00	.LENS, FLASHER	1	1	1	1	1	
3	5VK-H3311-00	.BULB, FLASHER (12V/10W)	1	1	1	1	1	
4	5D7-H3333-00	.SCREW, LENS FITTING	1	1	1	1	1	
5	22B-H3318-00	STAY, FLASHER 1	1	1	1	1	1	
6	22B-H3320-11	FRONT FLASHER LIGHT ASSY 2	1	1	1	1	1	
7	22B-H3322-00	.LENS, FLASHER 2	1	1	1	1	1	
8	5VK-H3311-00	.BULB, FLASHER (12V/10W)	1	1	1	1	1	
9	5D7-H3333-00	.SCREW, LENS FITTING	1	1	1	1	1	
10	22B-H3328-00	STAY, FLASHER 2	1	1	1	1	1	
11	22B-H3330-11	REAR FLASHER LIGHT ASSY 1	1	1	1	1	1	
12	22B-H3322-00	.LENS, FLASHER 2	1	1	1	1	1	
13	5VK-H3311-00	.BULB, FLASHER (12V/10W)	1	1	1	1	1	
14	5D7-H3333-00	.SCREW, LENS FITTING	1	1	1	1	1	
15	22B-H3340-11	REAR FLASHER LIGHT ASSY 2	1	1	1	1	1	
16	22B-H3312-00	.LENS, FLASHER	1	1	1	1	1	
17	5VK-H3311-00	.BULB, FLASHER (12V/10W)	1	1	1	1	1	
18	5D7-H3333-00	.SCREW, LENS FITTING	1	1	1	1	1	
19	91317-06016	BOLT	2	2	2	2	2	
20	91317-06020	BOLT	2	2	2	2	2	
21	22B-H333F-00	WASHER, SPECIAL	2	2	2	2	2	
22	95602-06200	NUT, SELF-LOCKING	2	2	2	2	2	
23	90201-06X06	WASHER, PLATE	2	2	2	2	2	

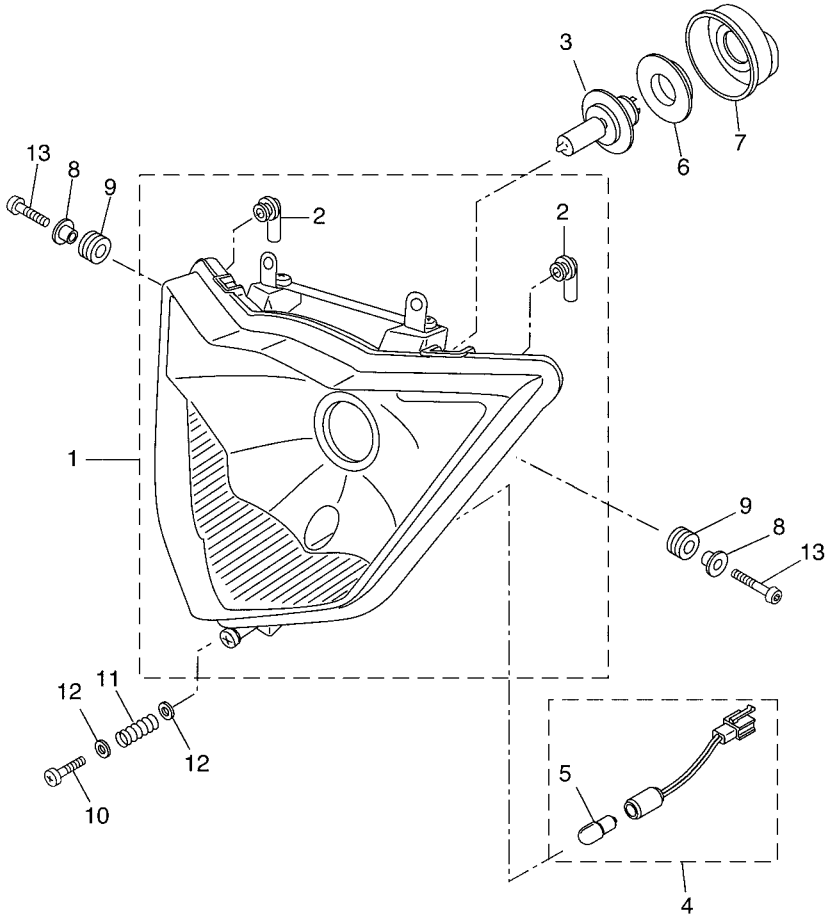


22B1300-H380

FIG. 38 METER

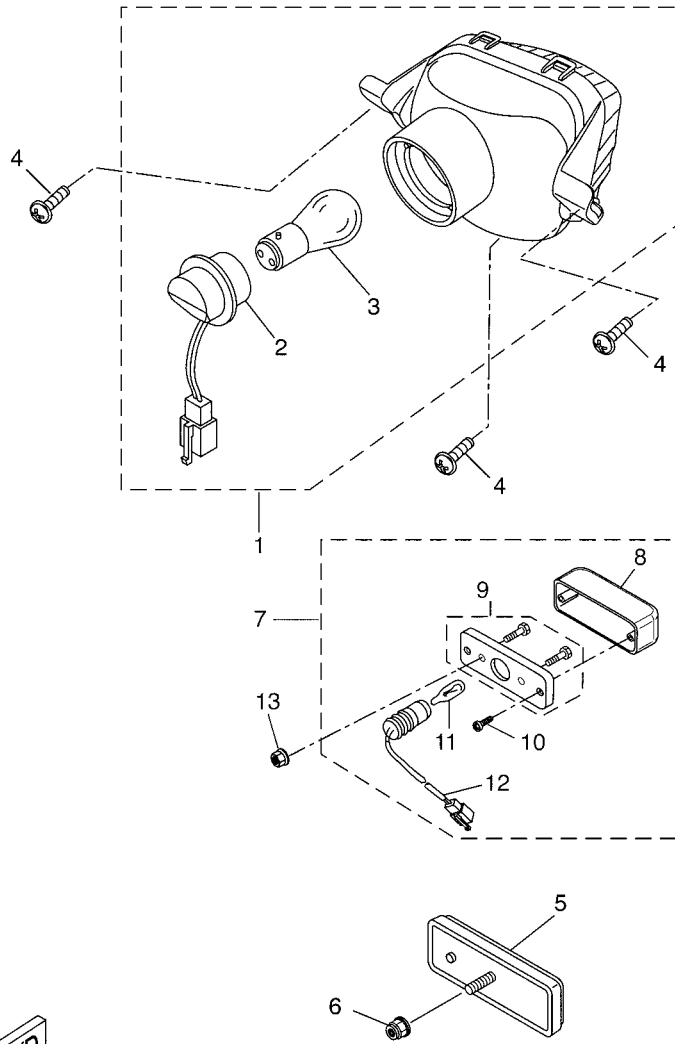
REF. NO.	PART NO.	DESCRIPTION	01	02	03	04	05	REMARKS
1	22B-H3500-00	METER ASSY	1	1	1	1	1	UR (Km/h Model)
	22B-H3500-10	METER ASSY				1		UR (Mph Model)
2	90167-05X02	SCREW, TAPPING	3	3	3	3	3	
3	90201-05X03	WASHER, PLATE	3	3	3	3	3	
4	90480-15X01	GROMMET	3	3	3	3	3	
<hr style="border-top: 1px dashed black;"/>								
<hr style="border-top: 1px dashed black;"/>								
<hr style="border-top: 1px dashed black;"/>								
<hr style="border-top: 1px dashed black;"/>								
<hr style="border-top: 1px dashed black;"/>								
<hr style="border-top: 1px dashed black;"/>								
<hr style="border-top: 1px dashed black;"/>								
<hr style="border-top: 1px dashed black;"/>								

FIG. 39 HEADLIGHT



FWD
22B5300-K390

REF. NO.	PART NO.	DESCRIPTION	01	02	03	04	05	REMARKS
1	22B-H4310-01	HEADLIGHT UNIT ASSY	1	1	1	1	1	
2	22B-H4378-00	.CAP	2	2	2	2	2	
3	22B-H4314-00	BULB, (HS1 12V 35/35W)	1	1	1	1	1	
4	22B-H4312-10	CORD ASSY	1	1	1	1	1	
5	4DL-H4347-00	.BULB (12V-5W)	1	1	1	1	1	
6	22B-H4393-00	HOLDER BULB	1	1	1	1	1	
7	22B-H4397-10	COVER, SOCKET	1	1	1	1	1	
8	90387-06761	COLLAR	2	2	2	2	2	
9	90480-11006	GROMMET	2	2	2	2	2	
10	90157-05X11	SCREW, PAN HEAD	1	1	1	1	1	
11	90501-08X01	SPRING, COMPRESSION	1	1	1	1	1	
12	90201-05X04	WASHER, PLATE	2	2	2	2	2	
13	90111-06X19	BOLT,HEX. SOCKET BUTTON	2	2	2	2	2	

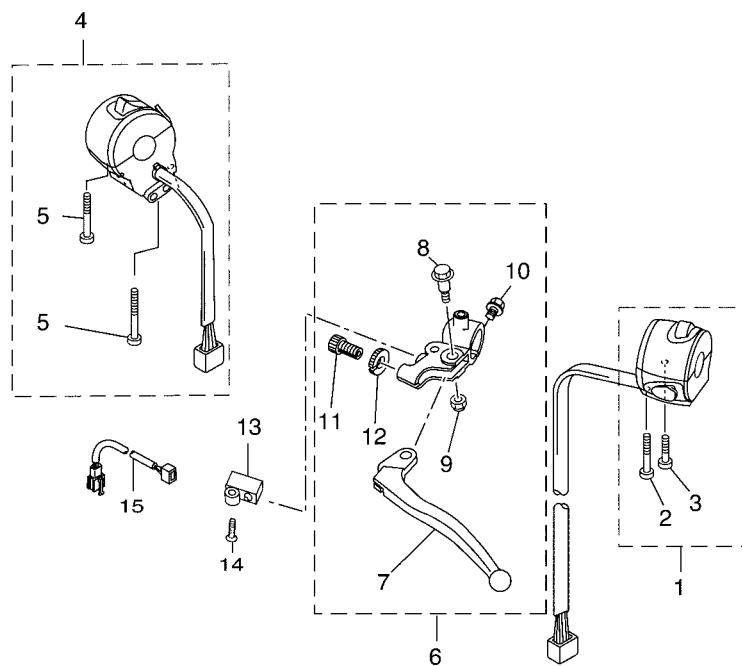


22B1300-H400

FIG. 40 TAILLIGHT

REF. NO.	PART NO.	DESCRIPTION	01	02	03	04	05	REMARKS
1	22B-H4710-00	TAILLIGHT UNIT ASSY	1	1	1	1	1	
2	22B-H4735-00	.SOCKET CORD ASSY	1	1	1	1	1	
3	4BA-H4714-20	.BULB (12V 21/5W)	1	1	1	1	1	
4	97707-40012	SCREW, TAPPING	3	3	3	3	3	
5	4BA-H5130-00	REAR REFLECTOR ASSY	1	1	1	1	1	
6	95602-05200	NUT, SELF-LOCKING	1	1	1	1	1	
7	5D7-H4745-10	LICENCE LIGHT UNIT ASSY	1	1	1	1	1	
8	5YK-H4749-00	.BODY, LICENCE LIGHT	1	1	1	1	1	
9	5YK-H4741-00	.BASE, LICENCE LIGHT	1	1	1	1	1	
10	5DS-H4726-10	.SCREW	2	2	2	2	2	
11	5DS-H4744-10	.BULB (12V-5W)	1	1	1	1	1	
12	5D7-H4547-10	.CORD, LICENCE LIGHT	1	1	1	1	1	
13	95602-05200	NUT, SELF-LOCKING	2	2	2	2	2	

FIG. 41 HANDLE SWITCH & LEVER



22B1300-H410

REF. NO.	PART NO.	DESCRIPTION	01	02	03	04	05	REMARKS
1	22B-H3972-00	SWITCH, HANDLE 4	1	1	1	1	1	
2	5D7-H395Y-00	.SCREW, SWITCH FITTING 2	1	1	1	1	1	Lg : 44mm
3	5D7-H395X-00	.SCREW, SWITCH FITTING 1	1	1	1	1	1	Lg : 22mm
4	22B-H3975-01	SWITCH, HANDLE 2	1	1	1	1	1	
5	5D7-H395W-00	.SCREW, SWITCH FITTING	2	2	2	2	2	
6	22B-H2910-00	LEVER HOLDER ASSY (LEFT)	1	1	1	1	1	
7	5D7-H3912-00	.LEVER 1	1	1	1	1	1	
8	5D7-H3945-00	.BOLT, LEVER	1	1	1	1	1	
9	90185-06837	.NUT, SELF-LOCKING	1	1	1	1	1	
10	22B-H1826-00	.BOLT	1	1	1	1	1	
11	5D7-H3951-00	.BOLT, CABLE ADJUSTING	1	1	1	1	1	
12	5D7-H3927-00	.NUT, ADJUSTING	1	1	1	1	1	
13	3YX-82917-01	SWITCH	1	1	1	1	1	
14	98707-03020	SCREW, FLAT HEAD	1	1	1	1	1	
15	22B-H2926-00	SWITCH CORD	1	1	1	1	1	

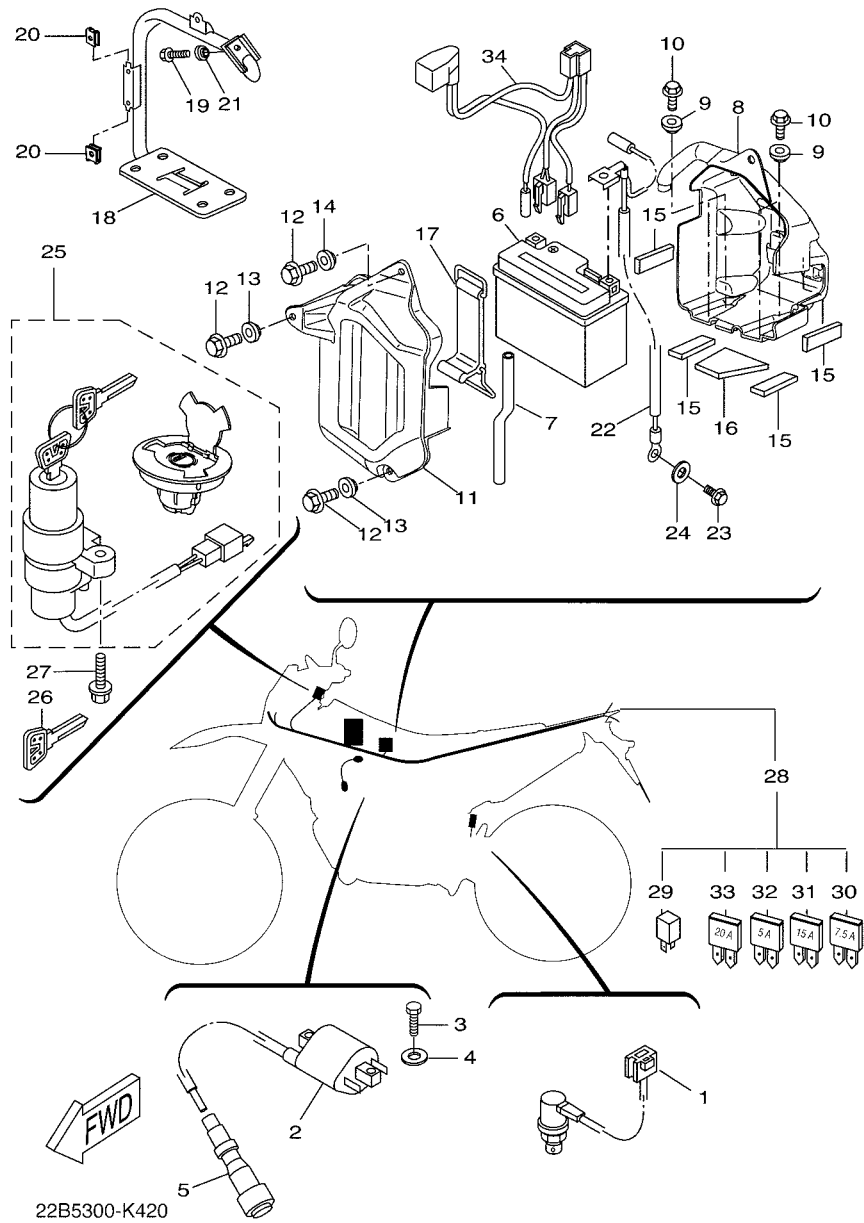


FIG. 42 ELECTRICAL 1

REF. NO.	PART NO.	DESCRIPTION	01	02	03	04	05	REMARKS
1	5YK-H2530-00	STOP SWITCH ASSY	1	1	1	1	1	
2	3D8-82310-10	IGNITION COIL ASSY	1	1	1	1	1	
3	91317-06020	BOLT	2	2	2	2	2	
4	92907-06600	WASHER, PLATE	2	2	2	2	2	
5	1S7-H2370-00	PLUG CAP ASSY	1	1	1	1	1	
6	22B-H2100-00	BATTERY ASSY	1	1	1	1	1	YUASA 12N5.5-4A
7	90445-08X07	HOSE	1	1	1	1	1	
8	22B-F177G-00	BOX, BATTERY	1	1	1	1	1	
9	90387-06X02	COLLAR	4	4	4	4	4	
10	90111-06X19	BOLT,HEX. SOCKET BUTTON	4	4	4	4	4	
11	22B-H2129-00	COVER, BATTERY	1	1	1	1	1	
12	90111-06X19	BOLT,HEX. SOCKET BUTTON	3	3	3	3	3	
13	90387-06X02	COLLAR	2	2	2	2	2	
14	90387-06X01	COLLAR	1	1	1	1	1	
15	22B-H2121-00	PAD, BATTERY	4	4	4	4	4	
16	22B-H2126-00	PAD, BATTERY	1	1	1	1	1	
17	26H-82131-00	BAND, BATTERY	1	1	1	1	1	
18	22B-F172L-10	BRACKET 2	1	1	1	1	1	
19	90105-06X24	BOLT, FLANGE	1	1	1	1	1	
20	90183-06X00	NUT, SPRING	3	3	3	3	3	
21	90387-06X41	COLLAR	1	1	1	1	1	
22	22B-H2116-00	WIRE, MINUS LEAD	1	1	1	1	1	
23	90153-06034	SCREW, HEXAGON	1	1	1	1	1	
24	92902-06600	WASHER, PLATE	1	1	1	1	1	
25	22B-WH202-09	KEY SET	1	1	1	1	1	
26	5D7-H2511-09	BLANK KEY	1	1	1	1	1	
27	90109-060G4	BOLT	2	2	2	2	2	

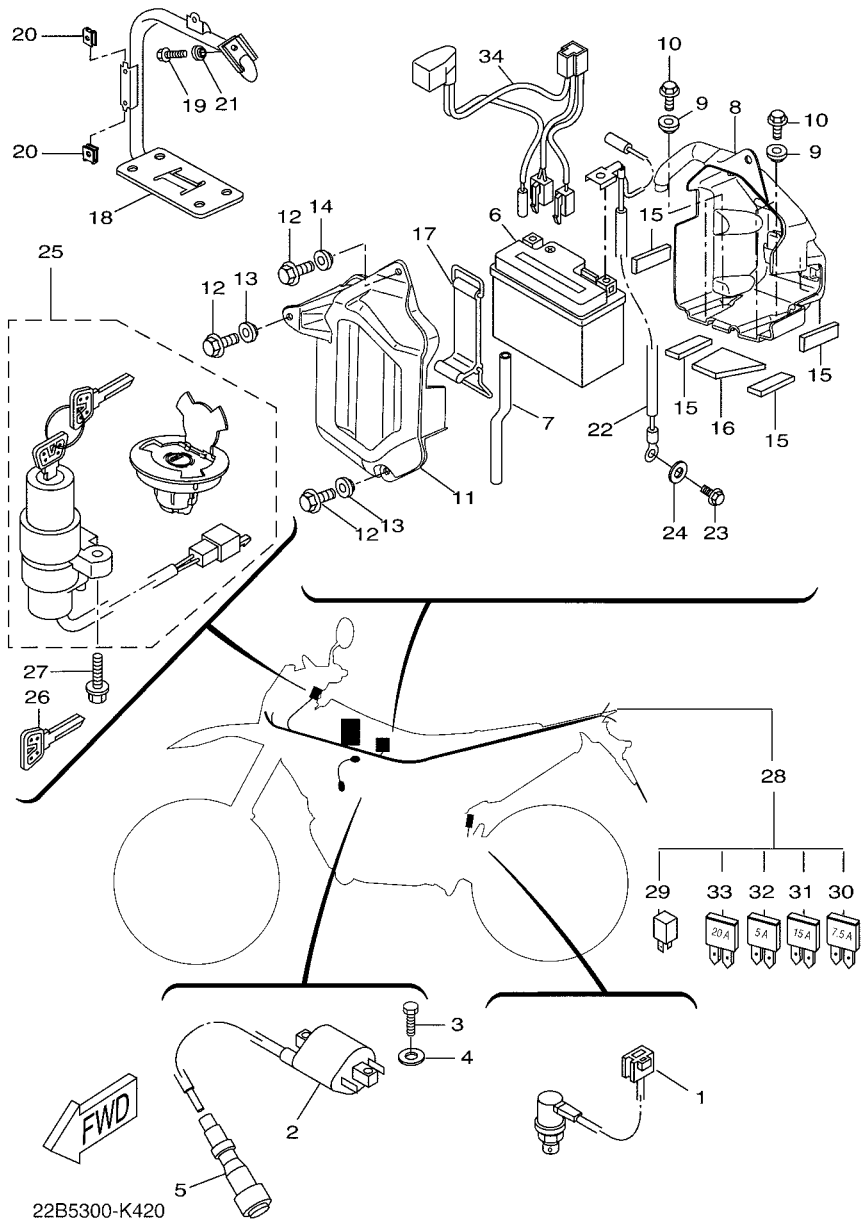
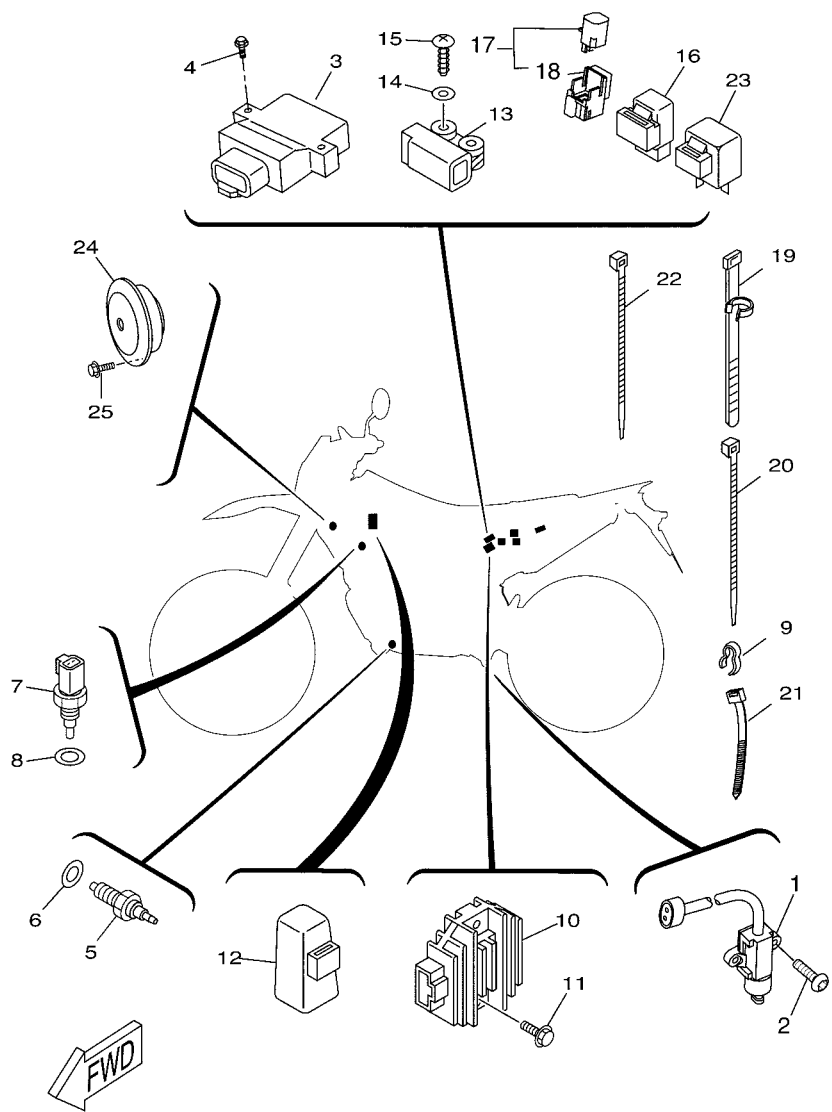


FIG. 42 ELECTRICAL 1

REF. NO.	PART NO.	DESCRIPTION	01	02	03	04	05	REMARKS
28	22B-H2590-00	WIRE HARNESS ASSY	1	1	1	1	1	
29	3XV-81980-00	.DIODE ASSY	1	1	1	1	1	
30	5D7-H2151-00	.FUSE (7.5A)	3	3	3	3	3	
31	1B9-H2151-00	.FUSE (15A)	2	2	2	2	2	
32	1B9-H2151-10	.FUSE (5A)	2	2	2	2	2	
33	5D7-H2151-10	.FUSE (20A)	2	2	2	2	2	
34	22B-H2115-00	WIRE, PLUS LEAD	1	1	1	1	1	



22B2300-H430

FIG. 43 ELECTRICAL 2

REF. NO.	PART NO.	DESCRIPTION	01	02	03	04	05	REMARKS
1	3LD-82566-40	SWITCH, SIDE STAND	1	1	1	1	1	
2	90110-05X01	BOLT, HEXAGON SOCKET HEAD	2	2	2	2	2	
3	22B-8591A-00	ENGINE CONTROL UNIT ASSY	1	1	1	1	1	
4	90105-06X24	BOLT, FLANGE	2	2	2	2	2	
5	3C1-H2540-00	NEUTRAL SWITCH ASSY	1	1	1	1	1	
6	90430-10148	GASKET	1	1	1	1	1	
7	5YP-85790-00	THERMOSENSOR ASSY	1	1	1	1	1	
8	90430-12X01	GASKET	1	1	1	1	1	
9	90464-15065	CLAMP	1	1	1	1	1	
10	3TJ-81960-02	RECTIFIER & REGULATOR ASSY	1	1	1	1	1	
11	95802-06025	BOLT, FLANGE	2	2	2	2	2	
12	5TN-H1940-00	STARTER RELAY ASSY	1	1	1	1	1	
13	2S5-H2576-00	SENSOR, LEAN ANGLE	1	1	1	1	1	
14	90201-047A2	WASHER, PLATE	2	2	2	2	2	
15	91317-04025	BOLT	2	2	2	2	2	
16	3GD-81950-01	RELAY ASSY	1	1	1	1	1	
17	5EA-81950-20	RELAY ASSY	2	2	2	2	2	
18	5EA-81952-00	.HOLDER, RELAY	1	1	1	1	1	
19	90464-09X00	CLAMP	1	1	1	1	1	
20	4KH-H3936-01	BAND, SWITCH CORD	31	31	31	31	31	(249X4.80)
21	90464-25004	CLAMP	4	4	4	4	4	
22	4KH-H3936-01	BAND, SWITCH CORD	2	2	2	2	2	(249X4.80)
23	4GY-83350-00	FLASHER RELAY ASSY	1	1	1	1	1	
24	5VX-83371-01	HORN	1	1	1	1	1	
25	90105-06X24	BOLT, FLANGE	1	1	1	1	1	

NUMERICAL INDEX

PART NO.	REF. NO.	PART NO.	REF. NO.	PART NO.	REF. NO.	PART NO.	REF. NO.	PART NO.	REF. NO.	PART NO.	REF. NO.
1B9-11603-00	2 - 7	4DW-23149-40	23 - 10	5EA-81950-20	43 - 17	3C1-E2280-00	4 - 5	3C1-E5362-00	11 - 16	3C1-E8101-00	16 - 4
5YP-12117-00	3 - 6		23 - 28	5EA-81952-00	43 - 18	5YP-E2288-00	4 - 6	3C1-E5411-00	11 - 1	22B-E8110-00	16 - 9
1WG-12118-00	3 - 5	26H-23156-00	23 - 6	3TJ-81960-02	43 - 10	5YP-E2405-00	6 - 6	22B-E5418-00	11 - 9	5VK-E8113-00	16 - 10
5YP-12411-00	6 - 1		23 - 24	3XV-81980-00	42 - 29	22B-E240A-10	6 - 4	5D7-E5421-00	11 - 11	3C1-E8119-00	16 - 2
3D7-12462-00	6 - 9	509-23158-L0	23 - 18	133-82131-00	25 - 8	22B-E2413-00	6 - 2	22B-E5441-00	4 - 19	3C1-E8140-00	16 - 1
51Y-13411-00	7 - 4		23 - 36	26H-82131-00	42 - 17	22B-E2420-00	5 - 1	3C1-E5451-00	11 - 2	5D7-E8337-00	16 - 3
5PX-13569-00	8 - 3	22B-23170-00	23 - 15	3D8-82310-10	42 - 2	22B-E2422-00	5 - 2	3C1-E5461-00	11 - 12	3C1-E8511-00	15 - 2
1B9-13575-00	8 - 17		23 - 33	3LD-82566-40	43 - 1	1S7-E2428-00	5 - 4	3C1-E5514-00	12 - 1	3C1-E8512-00	15 - 3
5D7-13770-00	8 - 9	5BN-23171-00	23 - 14	3YX-82917-01	41 - 13	1S7-E2450-00	5 - 8	5D7-E5521-00	12 - 2	3C1-E8513-00	15 - 4
22B-13907-00	24 - 34		23 - 32	4GY-83350-00	43 - 23	22B-E2461-10	6 - 5	3C1-E5524-00	12 - 5	3C1-E8531-00	15 - 5
22B-13971-00	8 - 11	4YR-23173-00	23 - 16	5VX-83371-01	43 - 24	22B-E2578-00	6 - 15	5YP-E5580-00	12 - 8	5D7-E8540-00	15 - 1
5JW-14104-00	8 - 14		23 - 34	5YP-85790-00	43 - 7	22B-E2579-00	6 - 17	5HV-E5583-00	12 - 9	22B-F1110-00-P1	17 - 1
2S5-1410H-00	8 - 15	3D8-23181-00	23 - 17	22B-8591A-00	43 - 3	5YP-E2671-00	6 - 8	5D7-E5598-00	4 - 14	22B-F117G-00	17 - 4
5CA-14147-00	8 - 10		23 - 35	22B-E1101-10	1 - 1	5YP-E2675-00	6 - 7	5YP-F1338-00	12 - 10	3C1-F1338-00	17 - 25
1S4-14216-00	8 - 16	43F-23188-10	23 - 9	1B9-E111F-00	4 - 8	3C1-E3300-00	7 - 1	5D7-E5666-00	14 - 1	22B-F1410-00	17 - 2
4EL-14714-00	9 - 11		23 - 27	1S7-E1133-10	1 - 2	3C1-E3324-00	7 - 8	5D7-E6111-01	13 - 1	22B-F1417-00	17 - 6
5GD-14803-00	8 - 45	22B-2331E-00	22 - 1	22B-E1166-00	8 - 36	5D7-E3327-00	7 - 13	5D7-E6135-00	13 - 21	22B-F1418-00	17 - 7
3C1-16193-00	13 - 2	22B-23340-00	23 - 38	1B9-E1181-01	1 - 13	5YP-E3440-00	7 - 7	5D7-E6144-00	13 - 19	22B-F1419-00	17 - 8
3C1-16357-02	13 - 25	5VK-23389-00	22 - 4	22B-E1185-00	5 - 5	5D7-E3447-00	7 - 9	5D7-E6150-10	13 - 5	22B-F1420-00	17 - 3
22B-16380-00	13 - 23	1W1-23416-00	22 - 8	22B-E1191-00	1 - 6	3C1-E3556-00	8 - 2	5D7-E6154-00	13 - 6	22B-F1511-00	18 - 1
4GY-21107-00	25 - 7	3YF-23418-00	22 - 11	5YP-E1193-00	1 - 9	3C1-E3585-00	8 - 1	5D7-E6307-00	13 - 10	22B-F1511-40	18 - 1
2N4-21717-00	17 - 29	1S4-24486-00	24 - 37	1S7-E1196-00	5 - 6	3C1-E3586-00	8 - 6	5D7-E6321-00	13 - 12	5D7-F1568-02	18 - 26
26H-21828-00	6 - 38	3D7-24491-00	24 - 35	22B-E1311-10	1 - 17	5D7-E3750-01	8 - 13	5D7-E6324-00	13 - 13	22B-F1611-01	18 - 4
5TG-21875-00	6 - 32	22B-25104-00	26 - 6	1S7-E1351-00	1 - 18	22B-E4293-00	8 - 18	5D7-E6331-00	13 - 11	22B-F1611-21	18 - 4
30X-22178-00	17 - 20	34X-25111-02-P0	26 - 1	5D7-E1454-00	2 - 9	22B-E4411-00	8 - 20	5D7-E6333-00	13 - 15	22B-F1629-00	18 - 13
10V-22184-00	17 - 21	322-25118-00	26 - 12	5D7-E1531-00	2 - 10	5D7-E4412-01	8 - 21	5D7-E6337-00	13 - 16	22B-F163A-00	18 - 16
22B-22184-00	20 - 3	55U-25181-01	26 - 13	5D7-E1536-00	2 - 8	3C1-E4419-00	8 - 30	5D7-E6344-00	13 - 20	22B-F1642-00	18 - 18
30X-2219X-00	20 - 4	22B-25304-01	28 - 6	5D7-E1631-01	2 - 4	22B-E441J-00	8 - 31	5D7-E6345-00	13 - 24	22B-F1685-00	18 - 8
22B-23102-00	23 - 1	3BN-25311-02-P0	28 - 1	5YP-E1633-00	2 - 5	5TL-E443E-00	8 - 26	5D7-E6351-00	13 - 14	22B-F1688-00	18 - 12
22B-23103-00	23 - 19	4V4-25367-00	28 - 14	1S7-E1951-00	5 - 9	3C1-E4450-00	8 - 22	5D7-E6356-00	13 - 18	22B-F1711-00	19 - 1
22B-23110-00	23 - 13		28 - 16	1S7-E1952-01	5 - 10	3C1-E4452-00	8 - 24	5D7-E6358-00	13 - 17	22B-F171E-00	19 - 10
	23 - 31	2VN-2582A-50	33 - 9	5YP-E2111-00	3 - 1	22B-E4453-00	8 - 23	5D7-E6371-00	13 - 7	22B-F171E-10	19 - 10
1D0-23111-00	23 - 8	3BN-2583V-00	33 - 5	3C1-E2113-00	3 - 4	3C1-E4485-00	8 - 28	5D7-E6383-00	13 - 9	22B-F171X-00	19 - 14
	23 - 26	2VN-25852-50	33 - 15	5YP-E2119-00	3 - 3	22B-E4603-00	9 - 2	5D7-E6384-00	13 - 8	22B-F171X-10	19 - 14
22B-23118-00	23 - 11	2VN-25854-00	33 - 13	1B9-E2121-00	3 - 2	22B-E4611-00	9 - 1	3C1-E7121-00	14 - 9	22B-F1721-00	19 - 6
	23 - 29	2VN-25855-00	33 - 14	5YP-E2126-00	3 - 7	1S7-E4613-00	9 - 18	5D7-E7131-00	14 - 7	22B-F172K-10	6 - 26
4FM-23125-40	23 - 3	2VN-25866-00	33 - 8	1B9-E2151-00	3 - 8	22B-E4624-00	9 - 7	3C1-E7151-00	14 - 4	22B-F172L-10	42 - 18
	23 - 21	3D7-25876-00	22 - 6	5YP-E2156-00	3 - 14	22B-E4628-00	9 - 3	5D7-E7161-00	14 - 8	22B-F1731-00	24 - 1
22B-23126-00	23 - 2		33 - 23	5YP-E2157-00	4 - 7	22B-E4703-01	9 - 8	3C1-E7211-00	14 - 15	22B-F1731-20	24 - 1
22B-23136-00	23 - 20	2VN-25894-00	33 - 12	1B9-E2159-00	3 - 9	22B-E4718-00	9 - 10	3C1-E7221-00	14 - 23	5P0-F1737-00	18 - 25
22B-23141-00	23 - 12	4GY-26241-00	30 - 5		3 - 12	22B-E4738-00	9 - 13	3C1-E7231-00	14 - 21	22B-F173E-50	19 - 18
	23 - 30	1E6-26342-00	30 - 8	1B9-E2161-00	3 - 11	5YK-E477T-00	9 - 16	3C1-E7241-00	14 - 20	22B-F173E-60	19 - 18
4EB-23144-00	23 - 7	2YK-27222-00	33 - 10	1B9-E2210-00	4 - 16	22B-E4799-10	9 - 15	3C1-E7251-00	14 - 17	22B-F173F-50	19 - 19
	23 - 25	5XT-27315-01	32 - 12	5VV-E2213-01	4 - 18	22B-E4881-00	8 - 44	5D7-E7261-00	14 - 22	22B-F173F-60	19 - 19
4EB-23145-01	23 - 5	3LD-27411-08	32 - 2	5MX-E2222-00	4 - 17	22B-E4882-00	8 - 39	3C1-E7402-00	14 - 14	22B-F1741-00	24 - 7
	23 - 23	3LD-27421-08	32 - 15	1B9-E2231-00	4 - 11	5D7-E5150-01	10 - 1	5D7-E7411-00	14 - 3	22B-F1741-20	24 - 7
36Y-23146-10	23 - 4	5D7-8183G-00	36 - 5	1B9-E2241-00	4 - 12	5D7-E5199-00	8 - 47	5D7-E7456-00	14 - 30	22B-F174G-30	24 - 12
	23 - 22	3GD-81950-01	43 - 16	5D7-E2256-00	4 - 15	5DS-E5351-00	7 - 3	5D7-E7471-00	14 - 12	22B-F174G-40	24 - 12

NUMERICAL INDEX

PART NO.	REF. NO.	PART NO.	REF. NO.	PART NO.	REF. NO.	PART NO.	REF. NO.	PART NO.	REF. NO.	PART NO.	REF. NO.
22B-F174H-30	24 - 13	22B-F4875-00	20 - 15	22B-F8199-E2	25 - 6	5D7-H3333-00	37 - 18	5D7-WE140-11	2 - 1	90109-06X05	18 - 15
22B-F174H-40	24 - 13	22B-F5381-00	28 - 21	22B-F8199-F2	25 - 6	22B-H333F-00	37 - 21	5D7-WE211-00	4 - 1		18 - 17
4SB-F174X-60	18 - 27	22B-F5383-00	28 - 13	22B-F8199-G2	25 - 6	22B-H3340-11	37 - 15	22B-WH202-09	42 - 25		18 - 19
22B-F1778-00	17 - 16	22B-F5384-00	28 - 22	22B-F8199-H2	25 - 6	22B-H3500-00	38 - 1	90101-10034	32 - 7	90109-06X14	18 - 11
22B-F177G-00	42 - 8	22B-F5384-10	28 - 23	22B-F8356-00	34 - 3	22B-H3500-10	38 - 1	90105-05016	23 - 40	90109-085E2	9 - 20
22B-F1826-00	6 - 33	22B-F5388-00	28 - 17	22B-H1410-00	35 - 2	22B-H3755-00	26 - 15		23 - 42		25 - 4
22B-F1871-10	6 - 30	22B-F5453-00	28 - 7	22B-H1450-00	35 - 1	5D7-H3912-00	41 - 7		23 - 48	90109-08618	28 - 8
22B-F1877-00	6 - 35	22B-F5809-00	29 - 5	3AY-H1801-00	36 - 2	5D7-H3922-00	31 - 5	90105-05025	33 - 19	90109-125F1	21 - 2
22B-F193A-00	17 - 26	22B-F580T-00	27 - 3	22B-H1826-00	41 - 10	5D7-H3927-00	41 - 12	90105-06841	18 - 23	90110-05X01	43 - 2
22B-F1978-00	17 - 15	22B-F580W-00	29 - 3	3AY-H1828-00	36 - 4	4KH-H3936-01	17 - 31	90105-06X04	1 - 3	90111-05011	23 - 44
22B-F197B-00	17 - 17	22B-F5811-00	27 - 7	3AY-H182M-00	36 - 3		18 - 14		1 - 19	90111-05X07	17 - 18
22B-F2110-10	20 - 1	5D7-F5824-00	29 - 9	5D7-H1890-01	36 - 1		43 - 20	90105-06X24	22 - 15	90111-06020	9 - 9
22B-F2141-00	20 - 6	22B-F582T-01	27 - 1	5TN-H1940-00	43 - 12		43 - 22		24 - 28	90111-06X11	33 - 27
22B-F2151-00	20 - 9	22B-F582W-01	29 - 1	22B-H2100-00	42 - 6	5D7-H3945-00	41 - 8		33 - 32	90111-06X17	6 - 25
5VK-F2174-00	28 - 18	22B-F583T-01	31 - 1	22B-H2115-00	42 - 34	5JH-H3945-00	31 - 3		34 - 2		19 - 3
22B-F217A-01	21 - 4	4SB-F5852-00	31 - 2	22B-H2116-00	42 - 22	5D7-H3951-00	41 - 11		42 - 19		19 - 8
22B-F217F-00	21 - 5	22B-F5867-00	31 - 4	22B-H2121-00	42 - 15	5D7-H395W-00	41 - 5		43 - 4		22 - 27
22B-F2210-11	21 - 1	22B-F5872-00	31 - 8	22B-H2126-00	42 - 16	5D7-H395X-00	41 - 3		43 - 25		24 - 5
22B-F2311-00	20 - 12	22B-F5873-00	33 - 20	22B-H2129-00	42 - 11	5D7-H395Y-00	41 - 2	90105-06X26	11 - 19		24 - 10
22B-F314F-20	23 - 39	22B-F5886-10	33 - 31	1B9-H2151-00	42 - 31	22B-H3972-00	41 - 1	90105-06X27	7 - 11		34 - 10
22B-F314G-20	23 - 41	22B-F5895-00	33 - 16	5D7-H2151-00	42 - 30	22B-H3975-01	41 - 4	90105-06X28	10 - 5	90111-06X19	18 - 6
22B-F315H-10	23 - 43	22B-F5896-00	33 - 18	1B9-H2151-10	42 - 32	22B-H3980-00	31 - 6	90105-06X29	10 - 3		19 - 12
22B-F315J-10	23 - 45	4GV-F589A-00	31 - 7	5D7-H2151-10	42 - 33	22B-H4111-00	34 - 8	90105-06X30	5 - 15		19 - 16
22B-F3174-10	34 - 1	22B-F5911-00	29 - 7	1S7-H2370-00	42 - 5	22B-H4111-40	34 - 8		11 - 15		24 - 20
22B-F3318-00	23 - 47	22B-F5917-00	29 - 4	5D7-H2511-09	24 - 22	22B-H4141-30	34 - 13	90105-06X31	10 - 4		34 - 4
22B-F331W-00	22 - 13	22B-F5917-10	27 - 5		42 - 26	22B-H4141-40	34 - 13	90105-06X32	10 - 6		39 - 13
22B-F3435-20	22 - 12	22B-F5919-00	29 - 6	5YK-H2530-00	42 - 1	22B-H4310-01	39 - 1		11 - 4		42 - 10
5VK-F3441-00	22 - 19	22B-F5924-00	29 - 8	3C1-H2540-00	43 - 5	22B-H4312-10	39 - 4		11 - 14		42 - 12
5VK-F3442-00	22 - 20	22B-F5924-10	27 - 8	2S5-H2576-00	43 - 13	22B-H4314-00	39 - 3	90105-06X33	1 - 7	90111-06X22	9 - 5
5VK-F3466-00	22 - 25	22B-F6111-00	30 - 1	22B-H2590-00	42 - 28	4DL-H4347-00	39 - 5		6 - 3		9 - 14
22B-F4104-00	24 - 29	22B-F6137-00	17 - 27	22B-H2910-00	41 - 6	22B-H4378-00	39 - 2		7 - 10	90116-08X03	1 - 5
22B-F4110-00	24 - 14	22B-F6137-10	17 - 28	22B-H2926-00	41 - 15	22B-H4393-00	39 - 6	90105-06X34	7 - 14	90119-06097	18 - 2
22B-F4141-00	24 - 15	22B-F6240-00	30 - 4	22B-H3310-11	37 - 1	22B-H4397-10	39 - 7	90105-06X35	5 - 14	90149-06022	24 - 30
5SE-F414G-00	24 - 18	22B-F6280-00	30 - 2	5VK-H3311-00	37 - 3	5D7-H4547-10	40 - 12	90105-08021	17 - 9	90149-06829	4 - 13
22B-F414H-01	24 - 42	22B-F6290-00	30 - 3		37 - 8	22B-H4551-00	18 - 22	90105-08850	1 - 10	90149-06X02	8 - 8
5DN-F415A-10	24 - 39	22B-F6311-00	30 - 6		37 - 13	22B-H4710-00	40 - 1	90105-08X00	27 - 10	90153-06034	42 - 23
22B-F4181-00	24 - 23	22B-F6335-00	30 - 7		37 - 17	4BA-H4714-20	40 - 3	90105-08X21	22 - 18	90157-05X11	39 - 10
22B-F4183-00	17 - 30	22B-F637G-00	6 - 28	22B-H3312-00	37 - 2	5DS-H4726-10	40 - 10	90105-10003	17 - 5	90163-05803	8 - 25
22B-F4184-00	24 - 40	22B-F7211-00	33 - 1		37 - 16	22B-H4735-00	40 - 2	90105-10027	17 - 12	90167-05X02	38 - 2
22B-F4185-00	24 - 41	22B-F7211-10	33 - 1	22B-H3318-00	37 - 5	5YK-H4741-00	40 - 9	90105-10123	17 - 13	90170-05X01	3 - 10
22B-F4186-00	24 - 26	22B-F7311-00	32 - 6	22B-H3320-11	37 - 6	5DS-H4744-10	40 - 11	90105-10167	17 - 11		3 - 13
22B-F4192-00	24 - 27	22B-F7412-01	32 - 1	22B-H3322-00	37 - 7	5D7-H4745-10	40 - 7	90105-10384	17 - 10	90170-10804	2 - 18
22B-F4193-00	24 - 38	22B-F7422-01	32 - 14		37 - 12	5YK-H4749-00	40 - 8	90105-12076	21 - 9	90176-22081	22 - 16
22B-F4318-00	24 - 16	5WX-F7431-00	32 - 21	22B-H3328-00	37 - 10	4BA-H5130-00	40 - 5	90109-060G4	42 - 27	90179-06X02	34 - 5
22B-F4602-02	24 - 21	22B-F7432-00	32 - 20	22B-H3330-11	37 - 11	3BN-W0042-50	33 - 6	90109-065F3	29 - 2	90179-12659	13 - 4
22B-F471A-00	25 - 2	5WX-F7441-00	32 - 29	5D7-H3333-00	37 - 4	1S6-W0047-00	27 - 4	90109-065G4	27 - 2	90179-14001	13 - 22
22B-F4770-31	25 - 1	22B-F7442-00	32 - 28		37 - 9	1S6-W0048-00	27 - 9	90109-06X05	6 - 31	90179-25615	22 - 9
22B-F4770-60	25 - 1	22B-F8100-00	25 - 5		37 - 14	1S6-W0057-00	27 - 6		8 - 35	90183-04039	18 - 20

NUMERICAL INDEX

PART NO.	REF. NO.	PART NO.	REF. NO.	PART NO.	REF. NO.	PART NO.	REF. NO.	PART NO.	REF. NO.	PART NO.	REF. NO.
90183-060A6	6 - 39	90338-06004	22 - 24	90450-27X01	6 - 16	90508-32837	16 - 5	93103-10801	5 - 3	94701-00X00	1 - 12
	8 - 34	90338-09130	26 - 7		6 - 18	90560-15290	26 - 3	93106-28023	28 - 4	95022-06016	11 - 10
	18 - 7	90338-11125	26 - 14	90450-39802	8 - 43	90560-20340	28 - 2	93108-35004	20 - 5		33 - 26
	18 - 21	90338-16008	8 - 32	90461-11099	24 - 3	91312-08025	23 - 37	93109-18020	21 - 7	95022-06025	24 - 33
	19 - 5	90340-14X02	11 - 5	90464-09009	18 - 9	91312-08030	22 - 22	93210-09806	4 - 3	95027-06010	4 - 9
90183-06X00	6 - 27	90340-32810	11 - 7	90464-09M31	6 - 22	91312-08040	22 - 2	93210-11806	2 - 12		14 - 31
	17 - 19	90386-18004	21 - 6	90464-09X00	43 - 19	91317-03006	6 - 10	93210-13X00	2 - 13	95027-06012	5 - 13
	42 - 20	90387-06028	24 - 24	90464-12X01	6 - 23	91317-04025	43 - 15	93210-14X00	11 - 6	95027-06025	5 - 12
90185-06837	41 - 9	90387-06066	20 - 10		22 - 14	91317-06012	14 - 13	93210-15620	33 - 7	95307-08600	28 - 20
90185-08146	28 - 9	90387-061U9	24 - 31		23 - 46	91317-06016	12 - 12	93210-19X00	5 - 16		33 - 11
90185-10060	32 - 10	90387-064H8	32 - 26	90464-15065	6 - 36		22 - 26		11 - 17	95602-05200	40 - 6
90185-12134	20 - 7		32 - 34		43 - 9		35 - 4	93210-26808	36 - 6		40 - 13
90201-047A2	43 - 14	90387-06761	39 - 8	90464-25004	43 - 21		37 - 19	93210-32807	8 - 7	95602-06200	18 - 24
90201-05015	9 - 4	90387-068R3	6 - 14	90467-08003	24 - 17	91317-06020	4 - 20	93210-32810	11 - 8		37 - 22
	9 - 12	90387-06X01	42 - 14	90467-08075	8 - 4		16 - 11	93210-35X01	7 - 6	95604-18200	28 - 24
90201-05X03	38 - 3	90387-06X02	34 - 9	90467-11044	33 - 17		37 - 20	93210-53801	7 - 12	95607-10200	17 - 14
90201-05X04	39 - 12		42 - 9	90467-11090	6 - 20		42 - 3	93210-84801	5 - 7		22 - 23
90201-06X05	34 - 6		42 - 13		6 - 21	91317-06025	35 - 3	93306-000Y3	5 - 11	95607-12200	21 - 10
90201-06X06	37 - 23	90387-06X19	24 - 19		6 - 34	91317-06100	1 - 16	93306-001X2	4 - 4	95617-12100	21 - 3
90201-06X08	24 - 32	90387-06X41	42 - 21		6 - 37	91401-16012	32 - 25	93306-00320	14 - 26	95707-08500	9 - 19
90201-08083	33 - 29	90387-06X42	34 - 7	90467-12800	8 - 27		32 - 33	93306-00401	14 - 10	95707-12500	35 - 5
90201-082H0	17 - 22	90387-06X50	18 - 5	90467-13064	8 - 37		33 - 30	93306-00416	28 - 3	95802-06025	43 - 11
90201-086P8	33 - 3		19 - 2		8 - 38	91401-25015	32 - 5	93306-20205	26 - 2	95807-06012	20 - 13
90201-08X21	1 - 11		19 - 7	90467-14015	8 - 40		32 - 18	93306-20218	14 - 11	95807-06020	20 - 11
90201-101J1	32 - 8		19 - 11		8 - 41	91810-14X00	1 - 14	93306-20221	2 - 14	95807-06030	24 - 25
90201-10X03	31 - 10		19 - 15	90467-14117	8 - 42		1 - 15	93306-20335	2 - 15	95817-06030	8 - 12
	33 - 22		24 - 4	90467-20050	8 - 29		10 - 2	93306-204YL	14 - 27	95817-08014	6 - 29
90201-10X18	12 - 3		24 - 8	90467-23059	8 - 33		11 - 3	93306-305X7	2 - 2		25 - 3
90201-126A7	20 - 8	90387-07717	20 - 14	90480-01558	19 - 13		11 - 13	93306-906Y0	4 - 2	95817-10025	32 - 13
90201-12X07	13 - 3	90387-08024	17 - 24		19 - 17	92012-05016	24 - 36	93310-325X1	12 - 6		32 - 19
	35 - 6	90387-087L0	18 - 3	90480-01803	19 - 4	92017-05016	22 - 5	93315-11206	13 - 27	95827-08040	17 - 23
90201-173F4	14 - 25	90387-08X09	6 - 24		19 - 9	92017-06012	8 - 46	93315-22251	20 - 2	97007-06020	6 - 12
90201-20814	14 - 24	90387-10003	32 - 9	90480-10408	25 - 9	92017-08020	32 - 27	93332-00008	22 - 3	97702-40012	24 - 6
90201-220T0	22 - 17	90387-12X01	21 - 8	90480-11006	39 - 9		32 - 35	93399-99931	22 - 7	97702-50516	34 - 11
90201-25290	12 - 7	90387-15600	26 - 11	90480-12020	34 - 12		33 - 4	93410-10X00	12 - 4	97707-40010	24 - 2
90202-26X00	22 - 10	90387-15810	2 - 11	90480-15X01	38 - 4	92902-06600	9 - 6	93410-17X00	14 - 2		24 - 9
90208-20003	13 - 30	90387-17804	14 - 16	90480-16801	18 - 10		9 - 17	93410-20038	14 - 6		24 - 11
90209-17285	14 - 5	90387-202U8	28 - 15	90480-18276	6 - 11		42 - 24	93410-22039	14 - 19	97707-40012	40 - 4
90209-18208	14 - 18	90401-10X03	31 - 9	90501-030A0	12 - 11	92907-05600	33 - 25	93450-16115	2 - 6	98507-05016	30 - 9
90215-10284	2 - 17		33 - 21	90501-06800	15 - 6	92907-06600	6 - 13	93501-04011	32 - 23		33 - 24
90240-06042	32 - 24	90430-06X00	1 - 4	90501-08X01	39 - 11		42 - 4		32 - 31	98507-05025	7 - 2
	32 - 32		1 - 8	90501-12743	32 - 22	92907-08600	28 - 19	93503-16048	13 - 26	98707-03020	41 - 14
90240-08124	33 - 28		1 - 20		32 - 30	92907-10200	22 - 21	93608-30839	16 - 7	99001-10600	16 - 6
90240-10101	32 - 4	90430-09801	8 - 5	90501-18X00	7 - 5	93101-10142	11 - 18	93822-14240	14 - 29	99009-20500	13 - 29
	32 - 17	90430-10148	43 - 6	90506-18305	33 - 2	93102-12106	16 - 8	94416-21007	26 - 5		
90269-04025	8 - 19	90430-12X01	43 - 8	90506-22002	32 - 11	93102-12224	13 - 28	94421-18X01	28 - 5		
90280-03X00	2 - 3	90445-08X07	42 - 7	90508-20X02	32 - 3	93102-20281	26 - 4	94568-A8096	4 - 10		
90282-05031	2 - 16	90445-10X02	6 - 19	90508-20X03	32 - 16	93102-20366	14 - 28	9456X-12132	28 - 25		