

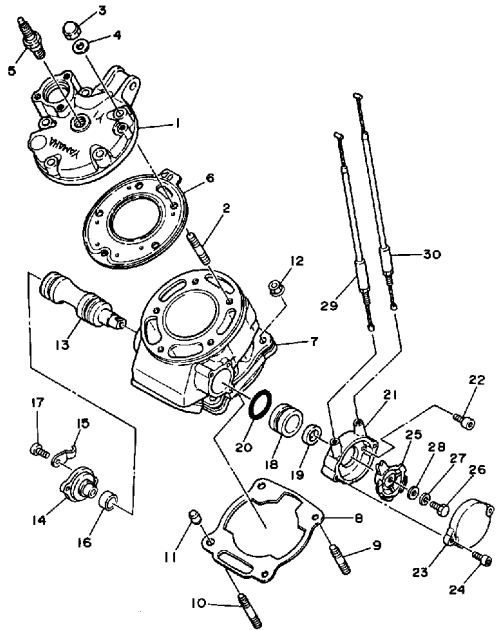
YAMAHA

GENUINE

PARTS CATALOGUE

MOTORCYCLE

CYLINDER HEAD-CYLINDER

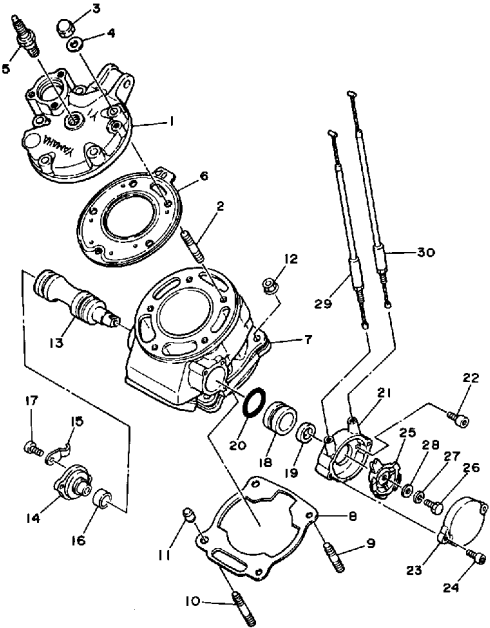


A-5

Ref. No.	Part Number	Description	Qty	Remarks
1	3XP-11111-00-00	HEAD, CYLINDER 1	1	
2	90116-08394-00	BOLT, STUD	5	
3	90176-08040-00	NUT, CROWN	5	
4	90201-08649-00	WASHER, PLATE	5	
5	NGK-BR9ES-00-00	PLUG, SPARK	1	
6	3XP-11181-00-00	GASKET, CYLINDER HEAD 1	1	
7	3XP-11311-00-00	CYLINDER 1	1	
8	3XP-11351-00-00	GASKET, CYLINDER	1	
9	90116-08318-00	BOLT, STUD	2	
10	90116-08388-00	BOLT, STUD	2	
11	99510-10114-00	PIN, DOWEL	2	
12	90179-08491-00	NUT, FLANGE	4	
13	3XP-1131A-00-00	VALVE 1	1	
14	3RR-1131E-00-00	HOLDER 1	1	
15	90462-08201-00	CLAMP	1	
16	3RR-1131N-00-00	GASKET HOLDER	1	
17	91316-05012-00	BOLT	2	
18	31K-1131U-00-00	HOLDER 3	1	
19	93108-23010-00	OIL SEAL, OSO-TYPE	1	
20	93210-30734-00	O-RING	1	
21	2RH-1131M-10-00	COVER	1	
22	91311-05010-00	BOLT, SOCKET HEAD	2	
23	2RH-1131R-10-00	CAP, SEAL	1	
24	91311-05012-00	BOLT	2	
25	29L-1132E-00-00	PULLEY 1	1	
26	97026-06018-00	BOLT	1	
27	92906-06100-00	WASHER, SPRING	1	
28	92906-06600-00	WASHER	1	
29	3XP-1133E-00-00	WIRE, PULLEY 1	1	

CONTINUED ON NEXT FRAME ➤

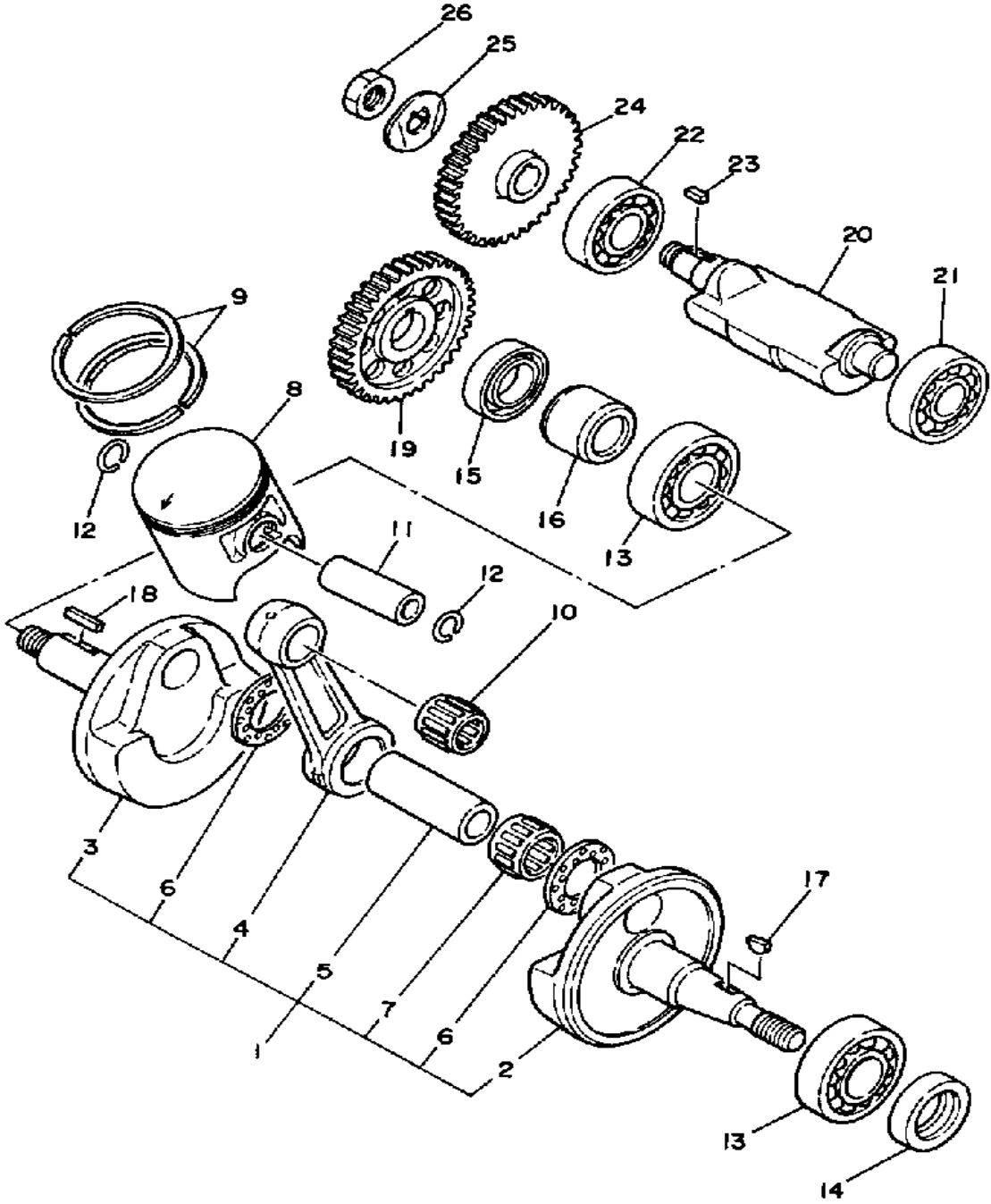
CYLINDER HEAD-CYLINDER



Ref. No.	Part Number	Description	Qty	Remarks
30	3BN-1133F-00-00	CABLE, PULLEY	1	

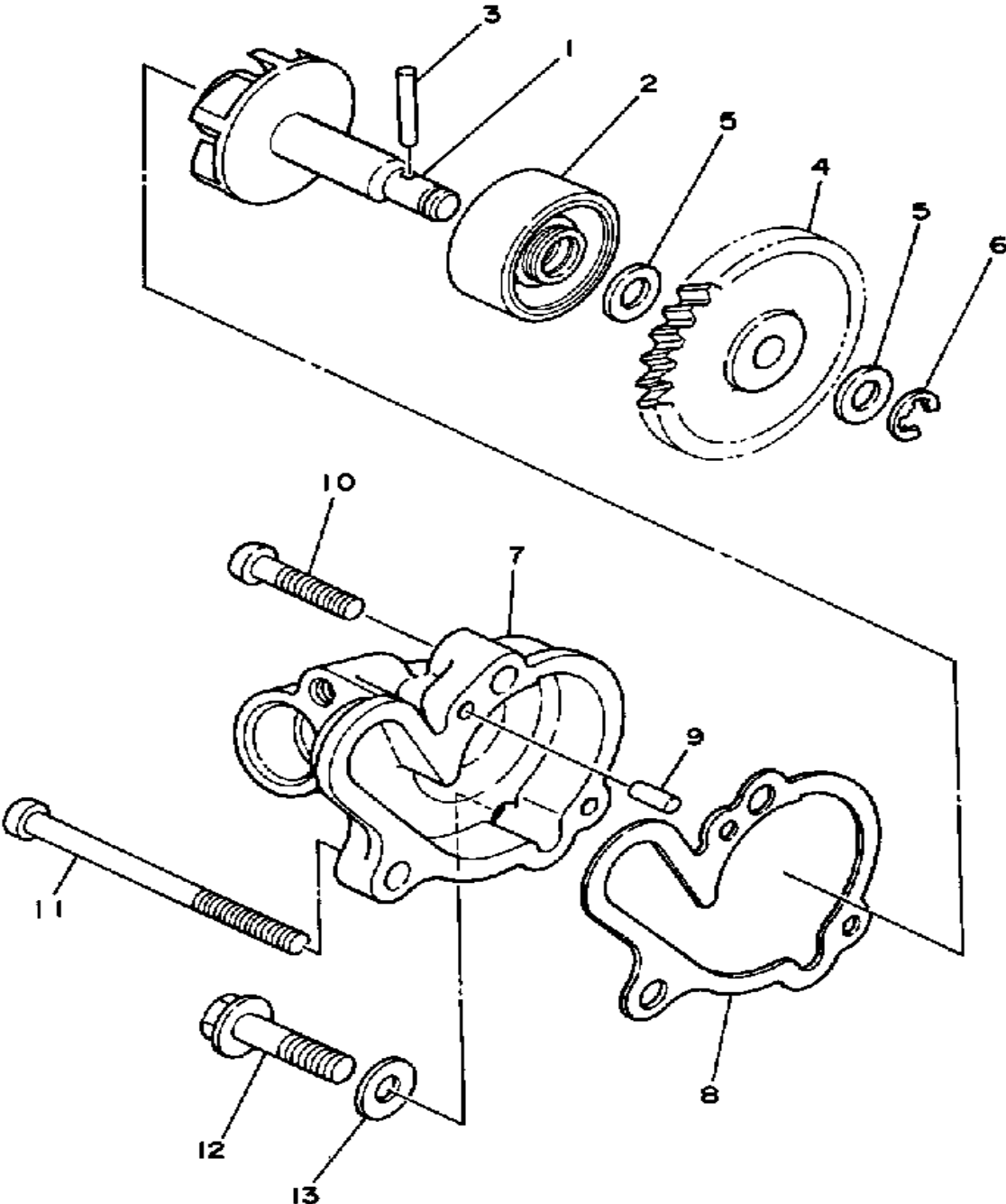
A-5

CRANKSHAFT-PISTON



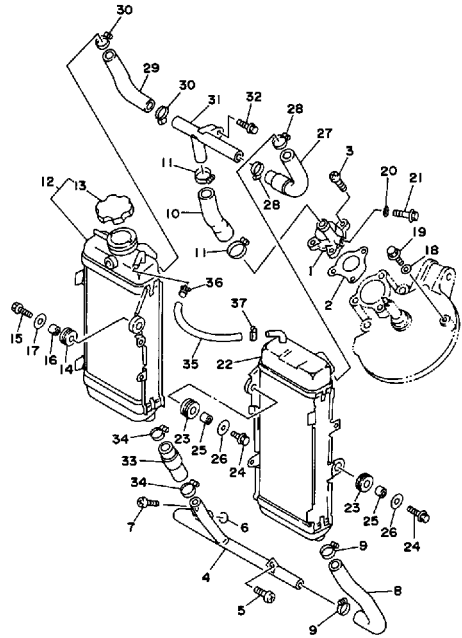
Ref. No.	Part Number	Description	Qty	Remarks
1	3XP-11400-00-00	CRANKSHAFT ASSEMBLY	1	
2	3XP-11412-00-00	. CRANK 1	1	
3	3XP-11422-00-00	. CRANK 2	1	
4	2TV-11651-00-00	. ROD, CONNECTING	1	
5	37F-11681-00-00	. PIN, CRANK 1	1	
6	90209-22257-00	. WASHER	2	
7	93310-523D2-00	. BEARING, CYLINDRICAL	1	
8	3XP-11610-00-00	PISTON RING SET	1	
	3XP-11631-01-A0	PISTON STD	1	UR RED
	3XP-11631-01-B0	PISTON, STD	1	UR ORG
	3XP-11631-01-C0	PISTON STD.	1	UR GRN
	3XP-11631-01-D0	PISTON STD	1	UR PRPL
10	93310-316C9-00	BEARING, CYLINDER# 0	1	
11	4H7-11633-00-00	PIN, PISTON	1	
12	93450-17129-00	CIRCLIP	2	
13	93306-30556-00	BEARING	2	
14	93102-25331-00	OIL SEAL	1	
15	93103-32171-00	OIL SEAL (93103-32099-00)	1	
16	90387-202T9-00	COLLAR	1	
17	90280-03017-00	KEY, WOODRUFF	1	
18	90282-05047-00	KEY, STRAIGHT	1	
19	10V-11536-01-00	GEAR, DRIVE	1	
20	2TV-11454-00-00	WEIGHT 1	1	
21	93306-30210-00	BEARING (2HT)	1	
22	93306-20335-00	BEARING	1	
23	90282-05058-00	KEY, STRAIGHT	1	
24	55K-11530-00-00	BALANCER WEIGHTCOMP.43T	1	
25	90215-12272-00	WASHER, LOCK	1	
26	90170-12370-00	NUT	1	

WATER PUMP



Ref. No.	Part Number	Description	Qty	Remarks
1	36F-12450-00-00	IMPELLER SHAFT ASSEMBLY	1	
2	93103-10168-00	OIL SEAL	1	
3	93603-22028-00	PIN, DOWEL	1	
4	2TV-12459-00-00	GEAR, IMPELLER SHAF	1	
5	90201-08512-00	WASHER, PLATE	2	
6	99080-07600-00	CIRCLIP (E)	1	
7	3BN-12422-11-00	COVER, HOUSING	1	
8	3BN-12428-10-00	GASKET, HSNG CVR 2	1	
9	93604-10011-00	PIN, DOWEL	2	
10	98511-06025-00	SCREW PAN HEAD (92501-06025)	1	
11	98580-06565-00	SCREW, PAN HEAD (92501-06065)	1	
12	95811-06025-00	BOLT, FLANGE	1	
13	90430-06166-00	GASKET	1	

RADIATOR-HOSE

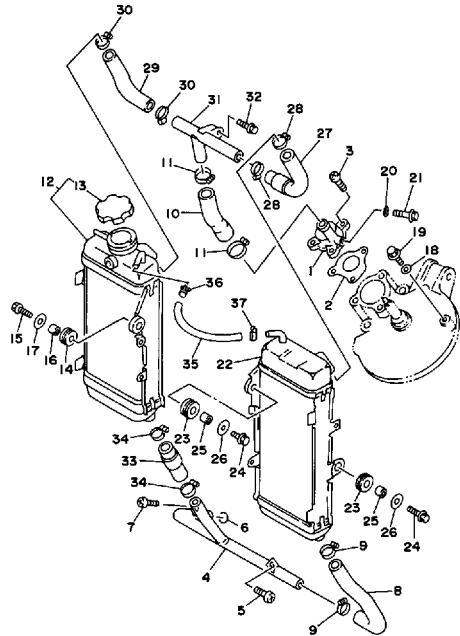


A-10

Ref. No.	Part Number	Description	Qty	Remarks
1	3BN-12469-00-00	JOINT 1	1	
2	3BN-12414-10-00	GASKET, COVER	1	
3	98516-06020-00	SCREW, PAN HEAD	3	
4	3XP-12481-00-00	PIPE 1	1	
5	98580-06012-00	SCREW, PAN HEAD	1	
6	93210-12790-00	O-RING	1	
7	98580-06012-00	SCREW, PAN HEAD	1	
8	3XP-12482-00-00	PIPE 2	1	
9	90450-22052-00	HOSE CLAMP ASSEMBLY ...	2	
10	3XP-12483-00-00	PIPE 3	1	
11	90450-28014-00	HOSE CLAMP ASSEMBLY ...	2	
12	3XP-12460-00-00	RADIATOR ASSEMBLY	1	
13	3XP-12462-00-00	. CAP, RADIATOR	1	
14	90480-18276-00	GROMMET	2	
15	95023-06025-00	BOLT, FLANGE	2	
16	90387-064W1-00	COLLAR (90387-066J9)	2	
17	90201-06570-00	WASHER, PLATE	2	
18	90430-06166-00	GASKET	1	
19	95826-06010-00	BOLT, FLANGE	1	
20	90430-06166-00	GASKET	1	
21	95826-06010-00	BOLT, FLANGE	1	
22	4BF-1240A-00-00	RADIATOR ASSEMBLY 2	1	
23	90480-15064-00	GROMMET	2	
24	95023-06025-00	BOLT, FLANGE	2	
25	90387-074W0-00	COLLAR	2	
26	90201-06570-00	WASHER, PLATE	2	
27	3XP-12484-00-00	PIPE 4	1	
28	90450-22052-00	HOSE CLAMP ASSEMBLY ...	2	
29	3XP-12485-00-00	PIPE 5	1	

CONTINUED ON NEXT FRAME ►

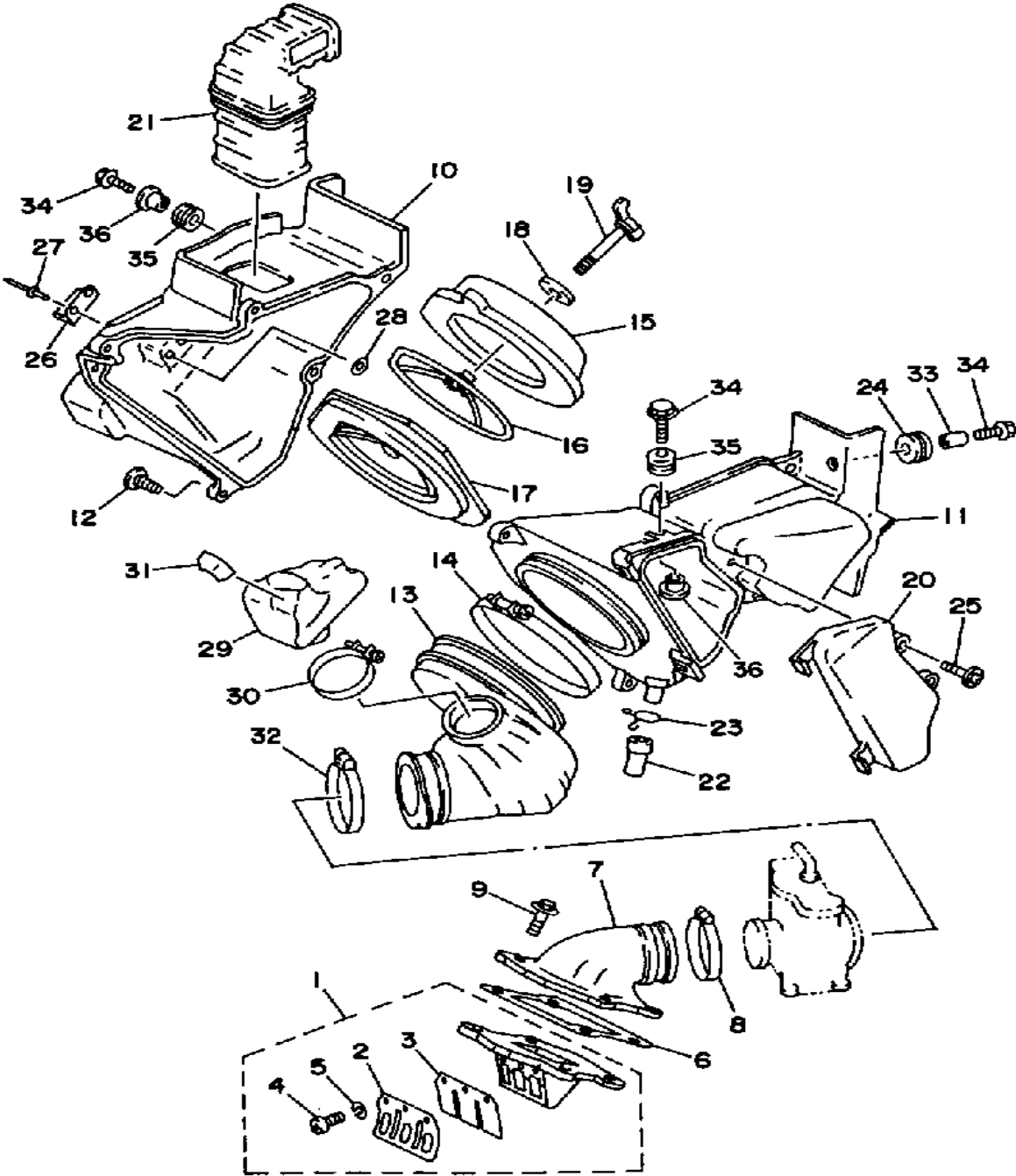
RADIATOR-HOSE



A-10

Ref. No.	Part Number	Description	Qty	Remarks
30	90450-22052-00	HOSE CLAMP ASSEMBLY	2	
31	3XP-12469-00-00	JOINT 1	1	
32	95811-06010-00	BOLT, FLANGE	1	
33	3XP-12476-00-00	PIPE 6	1	
34	90450-22052-00	HOSE CLAMP ASSEMBLY	2	
35	1LU-1248A-01-00	PIPE 8	1	
36	90450-15041-00	HOSE CLAMP ASSEMBLY	1	
37	90450-17036-00	HOSE CLAMP ASSEMBLY	1	

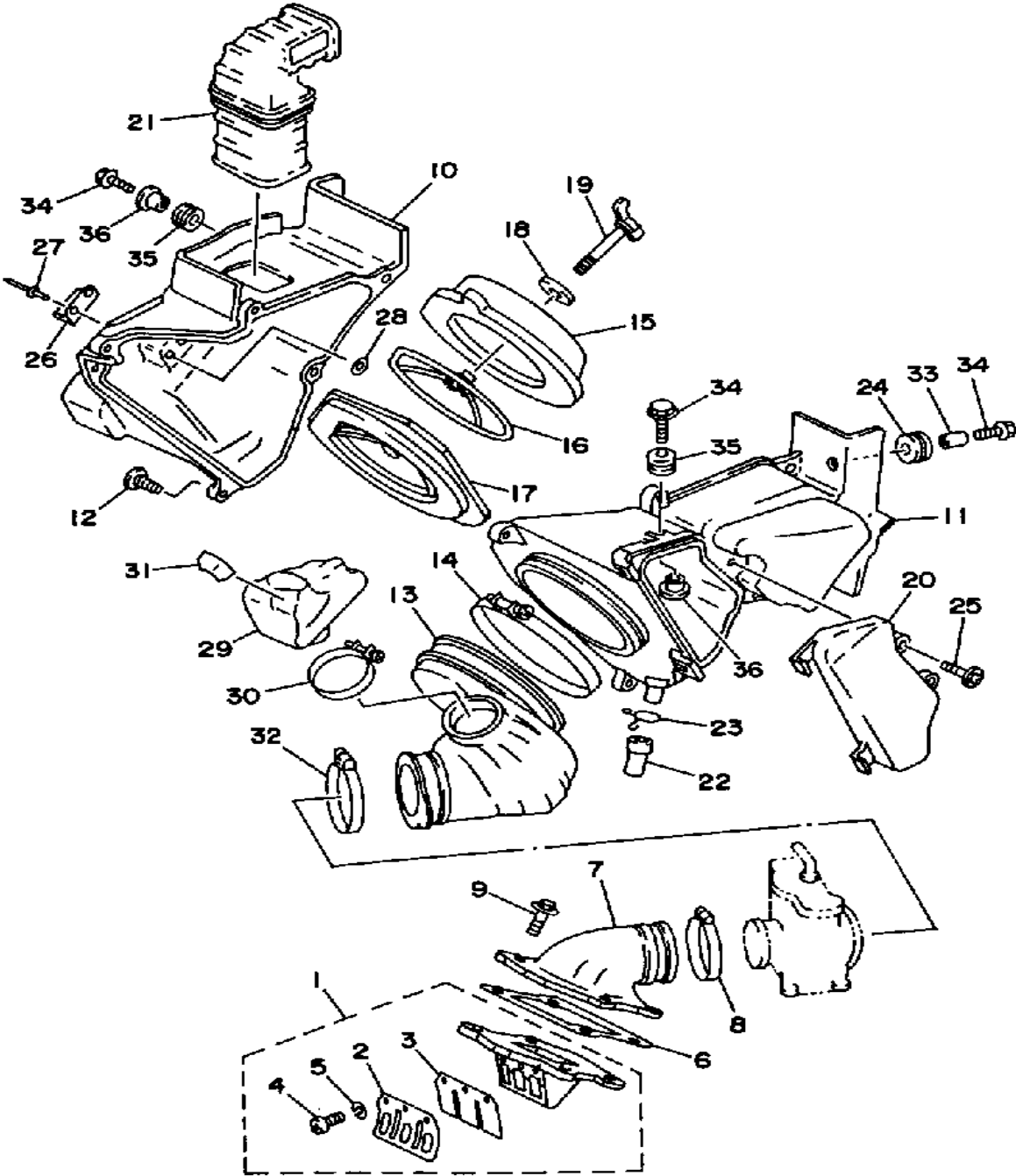
AIR FILTER



Ref. No.	Part Number	Description	Qty	Remarks
1	1LX-13610-01-00	REED VALVE ASSEMBLY	1	
2	55Y-13613-00-00	. REED, VALVE	2	
3	55Y-13616-00-00	. STOPPER, REED VALVE	2	
4	98580-03008-00	. SCREW, PAN HEAD	6	
5	92990-03100-00	. WASHER, SPRING (92901-03100)	6	
6	3XP-13621-00-00	GASKET, VALVE SEAT	1	
7	3XP-13565-00-00	JOINT, CARBURETOR	1	
8	90450-49020-00	HOSE CLAMP ASSEMBLY	1	
9	95026-06020-00	BOLT, FLANGE	4	
10	3XP-14411-00-00	CASE, AIR CLEANER 1	1	
11	3XP-14421-00-00	CASE, AIR CLEANER 2	1	
12	97706-50520-00	SCREW, TAPPING	7	
13	3XP-14453-00-00	JOINT, AIR CLNR 1	1	
14	90450-99013-00	HOSE CLAMP ASSEMBLY	1	
15	4BF-14451-00-00	ELEMENT, AIR CLNR	1	
16	3XP-14458-00-00	GUIDE, ELEMENT	1	
17	3XP-14459-00-00	HOLDER, GUIDE	1	
18	90209-06096-00	WASHER	1	
19	90122-06013-00	BOLT, WING	1	
20	3XP-14412-00-00	CAP, CLEANER CASE 1	1	
21	3XP-14437-00-00	DUCT	1	
22	3AJ-1443E-00-00	PIPE, DRAIN	1	
23	90467-15012-00	CLIP, SCISSOR	1	
24	90480-08216-00	GROMMET	1	
25	90149-06200-00	SCREW, SPEC'L SHAPE	2	
26	(43G-14436-00-00)	HOOK	2	
27	90267-40075-00	RIVET, BLIND	4	
28	92901-04600-00	WASHER, PLATE	4	

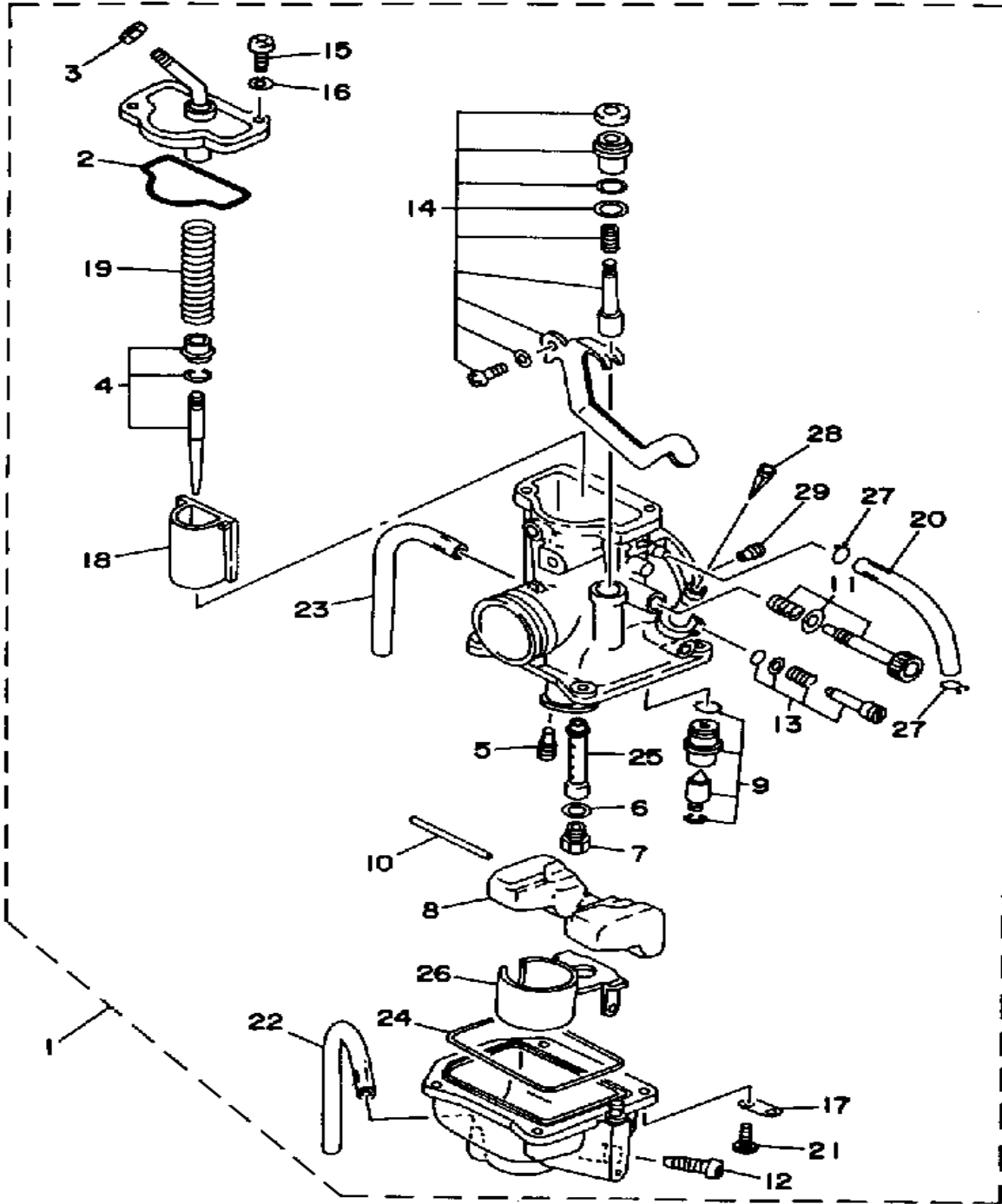
CONTINUED ON NEXT FRAME ►

AIR FILTER



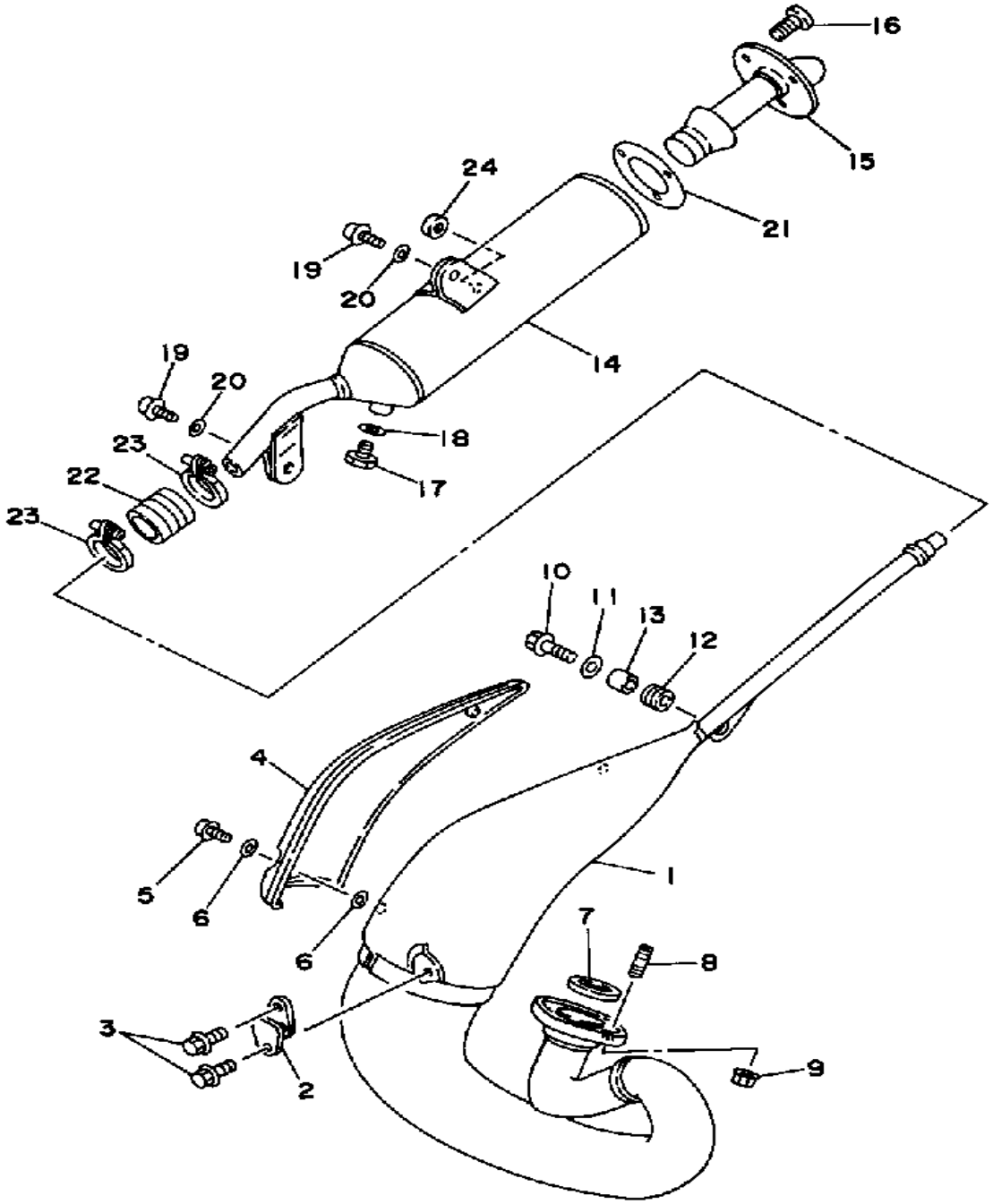
Ref. No.	Part Number	Description	Qty	Remarks
29	3XP-13591-00-00	CHAMBER, AIR 2	1	
30	90460-32182-00	CLAMP, HOSE	1	
31	1AE-2834F-00-00	DAMPER (R.H)	1	
32	90460-61063-00	CLAMP, HOSE (256-14455-00)	1	
33	90387-06241-00	COLLAR	1	
34	90119-06118-00	BOLT, WITH WASHER	3	
35	90480-12067-00	GROMMET	2	
36	90387-06737-00	COLLAR	2	

CARBURETOR



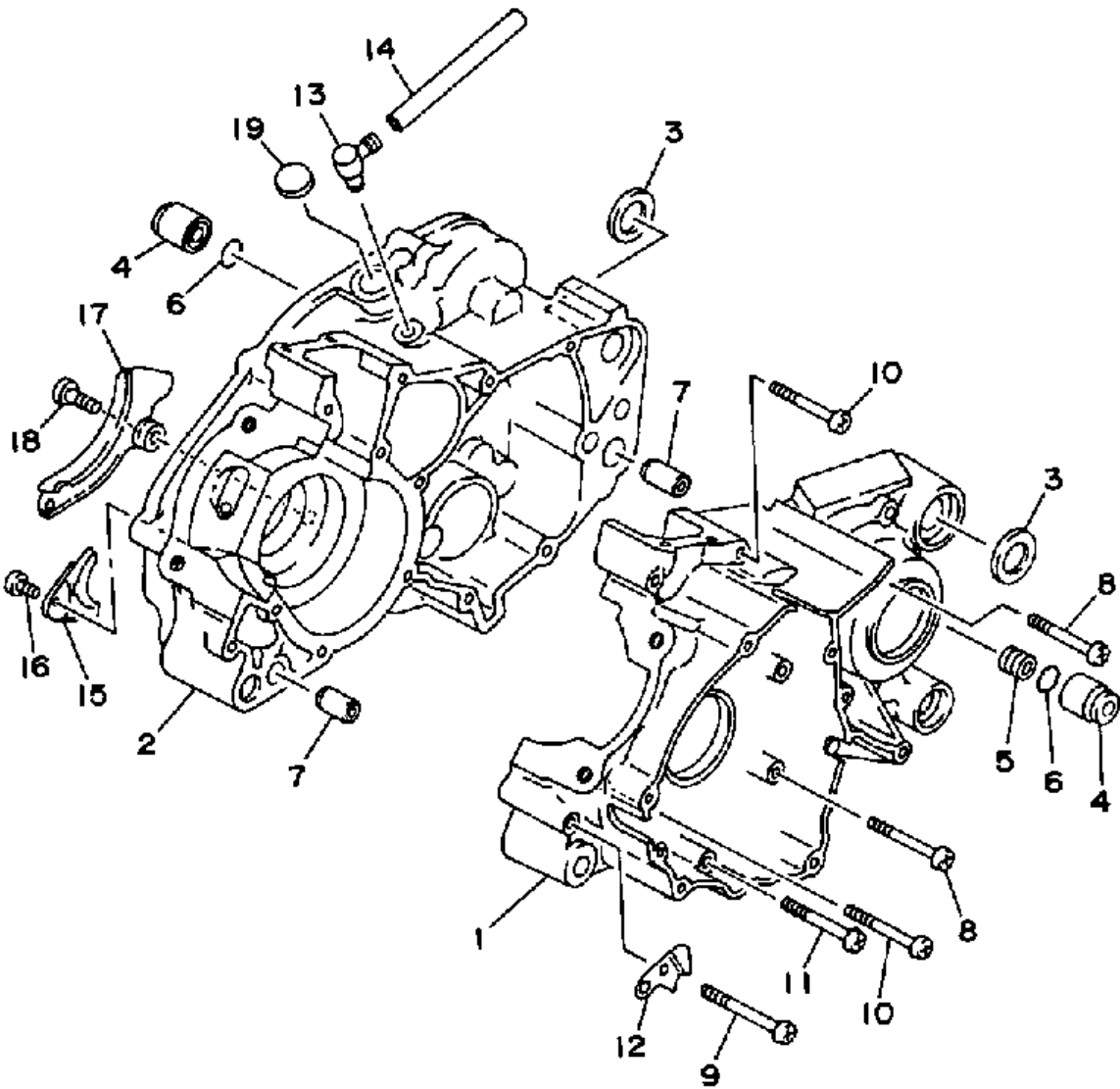
Ref. No.	Part Number	Description	Qty	Remarks
1	4BF-14101-00-00	CARBURETOR ASSEMBLY 1	1	
2	3JD-14147-00-00	. O-RING	1	
3	127-14161-00-00	. NUT, CABLE ADJUSTING	1	
4	3XP-1490J-10-00	. NEEDLE SET	1	
5	193-14142-35-00	. JET, PILOT # 5	1	
6	137-14153-00-00	. WASHER, MAIN JET	1	
7	137-14143-42-A1	. JET, MAIN #2 0	1	
8	3XP-14185-00-00	. FLOAT	1	
9	3XP-14190-30-00	. NEEDLE VALVE ASSEMBLY	1	
10	353-14186-00-00	. PIN, FLOAT	1	
11	3XP-14103-00-00	. THROTTLE SCREW SET	1	
12	12R-14191-00-00	. PLUG, DRAIN	1	
13	3XP-14104-00-00	. AIR SCREW SET	1	
14	3XP-1410A-00-00	. STARTER SET	1	
15	98511-04012-00	. SCREW, PAN HEAD	2	
16	92901-04100-00	. WASHER, SPRING	2	
17	313-14146-00-00	. PLATE	2	
18	3XP-14112-40-00	. VALVE, THROTTLE 1	1	
19	3XP-14931-00-00	. SPRING, THRTL LEVEL	1	
20	3XP-14987-00-00	. HOSE	1	
21	98586-05016-00	. SCREW, PAN HEAD	4	
22	3KD-14197-00-00	. PIPE	1	
23	310-14197-00-00	. PIPE, AIRVENT	2	
24	3XP-14229-00-00	. SEAL	1	
25	3XP-14141-28-00	. NOZZLE, MAIN	1	
26	3XP-14261-00-00	. HOLDER	1	
27	8A7-14139-00-00	. CLIP, PIPE	2	
28	1KT-14994-00-00	. NET, FILTER	1	
29	239-14172-08-00	. PILOT JET, AIR (0.8)	1	

EXHAUST



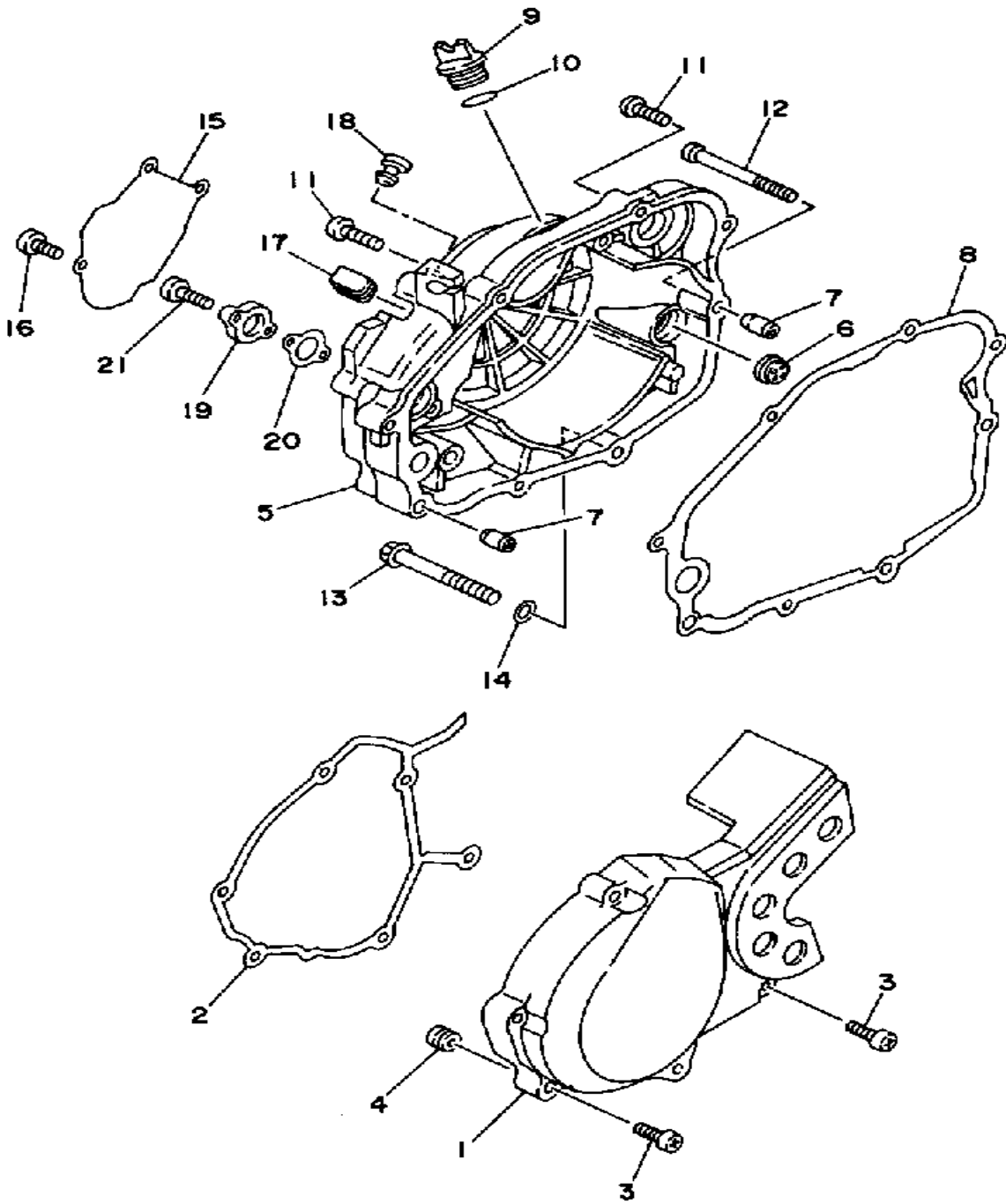
Ref. No.	Part Number	Description	Qty	Remarks
1	3XP-14610-00-00	EXHAUST PIPE ASSEMBLY L	1	
2	565-14771-00-00	STAY, MUFFLER 1	1	
3	95816-06012-00	BOLT, FLANGE	2	
4	3XP-14718-00-00	PROTECTOR, MUFF 1	1	
5	98906-06010-00	SCREW, BIND	2	
6	90202-05187-00	WASHER, PLATE	4	
7	3PA-14613-10-00	GASKET, EXHAUST PIPE	1	
8	90116-08042-00	BOLT, STUD	2	
9	90179-08270-00	NUT	2	
10	95816-06025-00	BOLT, FLANGE	1	
11	90201-060A3-00	WASHER, PLATE	1	
12	90480-18411-00	GROMMET	1	
13	90387-105L0-00	COLLAR	1	
14	4BF-14753-00-00	SILENCER, EXHAUST	1	
15	2GU-14752-00-00	PIPE, OUTLET	1	
16	98906-06010-00	SCREW, BIND	3	
17	90101-06576-00	BOLT	1	
18	92906-06600-00	WASHER	1	
19	90109-085E2-00	BOLT	2	
20	90201-081H4-00	WASHER, PLATE	2	
21	2GU-14613-00-00	GASKET, EXST PIPE	1	
22	3XP-14714-00-00	GASKET, MUFFLER	1	
23	90460-37026-00	CLAMP, HOSE	2	
24	157-27114-00-00	STOPPER, MAIN STAND	1	

CRANKCASE



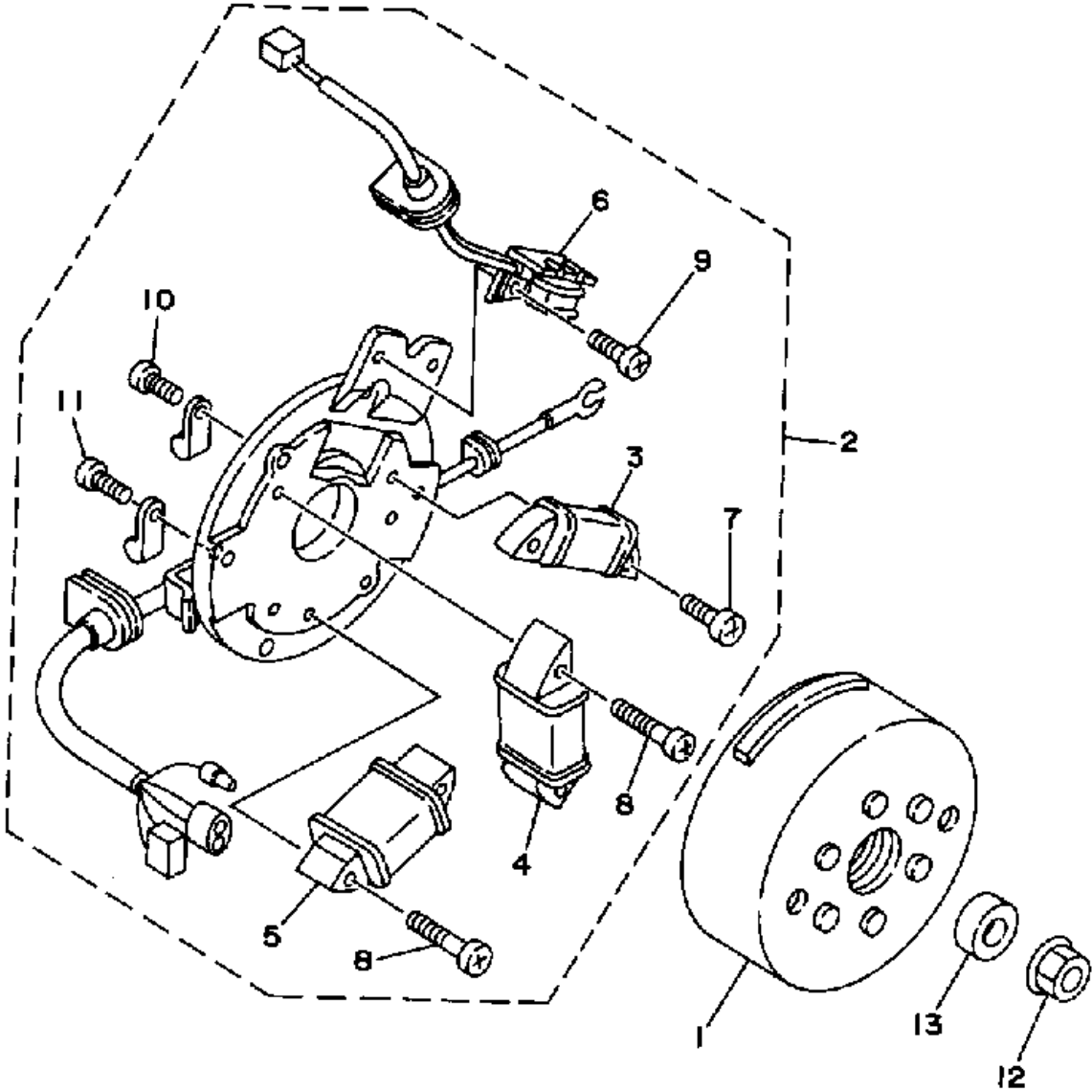
Ref. No.	Part Number	Description	Qty	Remarks
1	3XP-15111-00-00	CRANKCASE 1	1	
2	3XP-15121-00-00	CRANKCASE 2	1	
3	90201-170M2-00	WASHER, PLATE	2	
4	328-15316-00-00	DAMPER, ENG MOUNT 1 (328-15316-00)	2	
5	3XP-15317-00-00	SPACER, ENG MOUNT	1	
6	93210-11313-00	O-RING	2	
7	99510-12016-00	PIN, DOWEL	2	
8	92580-06560-00	SCREW PAN HEAD	4	
9	98580-06565-00	SCREW, PAN HEAD (92501-06065)	1	
10	98580-06550-00	SCREW PAN HEAD (92503-06050)	6	
11	98501-06070-00	SCREW, PAN HEAD	2	
12	3BN-15199-00-00	BRACKET	1	
13	3YJ-15371-00-00	BREATHER	1	
14	90446-07349-00	HOSE	1	
15	37F-15128-00-00	HOLDER	1	
16	98511-08010-00	SCREW, PAN HEAD	1	
17	2RH-15492-00-00	COVER	1	
18	98511-06012-00	SCREW, PAN HEAD	2	
19	90338-16015-00	PLUG, BLIND (168-17481-00) ..	1	

CRANKCASE COVER 1



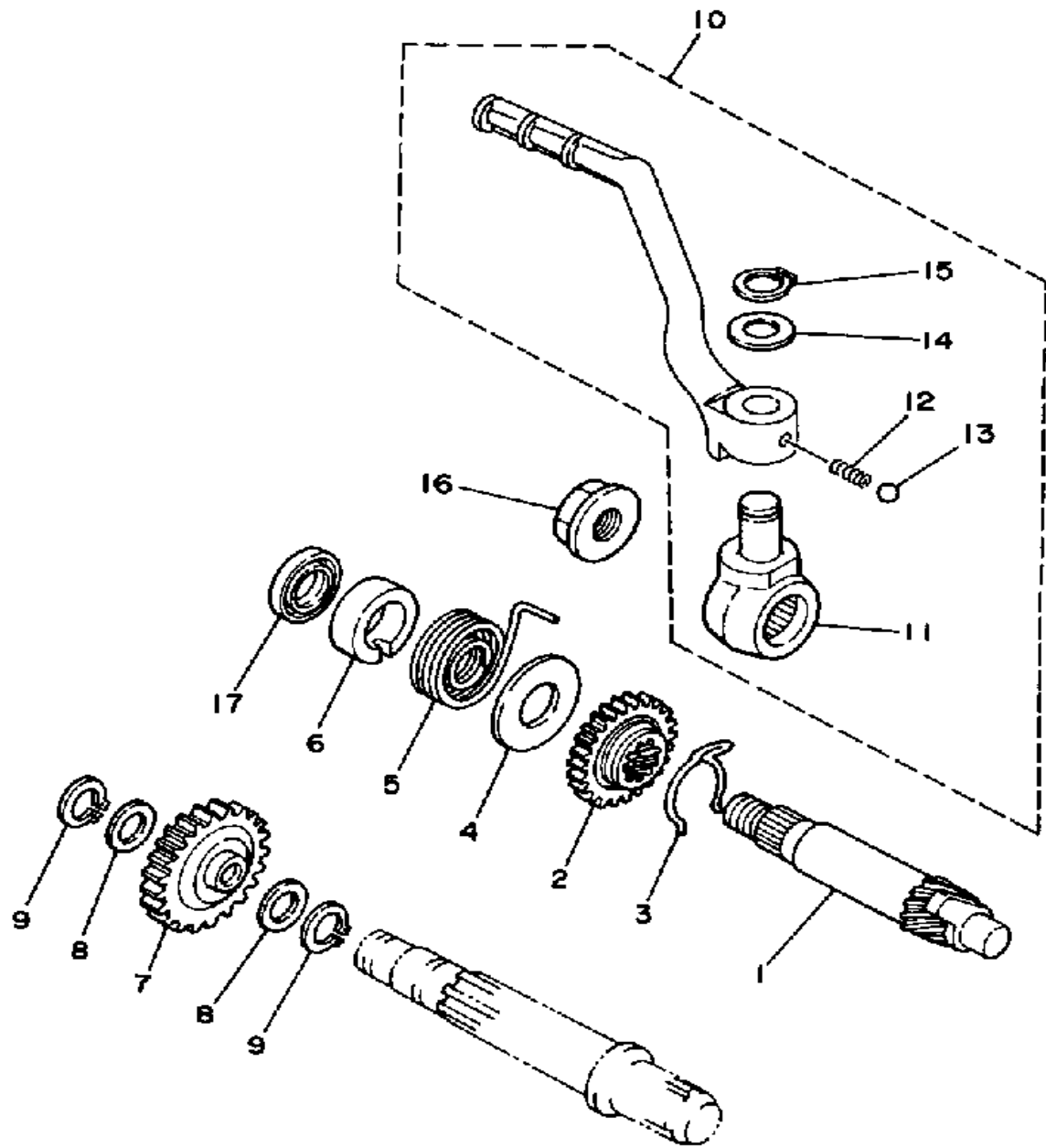
Ref. No.	Part Number	Description	Qty	Remarks
1	3BN-15411-10-00	COVER, CRANKCASE L	1	
2	3ET-15379-00-00	SEAL, CRANKCASE	1	
3	90157-06115-00	SCREW, PAN HEAD	6	
4	90480-09481-00	GROMMET	6	
5	3XP-15421-01-00	COVER, CRANKCASE R (3XP-15421-00)	1	SEE NOTE
6	3Y1-15361-00-00	GAUGE, LEVEL	1	
7	99530-10014-00	PIN, DOWEL	2	
8	3BN-15451-10-00	GASKET, CRCS COVER	1	
9	1RG-15363-00-00	PLUG, OIL	1	
10	93210-19123-00	O-RING	1	
11	98580-06030-00	SCREW PAN HEAD	5	
12	98580-06040-00	SCREW, pan head (92501-06040-00)	1	
13	95801-08080-00	BOLT, FLANGE	1	
14	90201-08087-00	WASHER, PLATE	1	
15	4BF-15416-00-00	COVER, OIL PUMP	1	
16	98580-06012-00	SCREW, PAN HEAD	3	
17	4BF-15357-00-00	GROMMET	1	
18	4BF-15189-00-00	PLUG	1	
19	161-15426-00-00	COVER, OIL PUMP R	1	
20	3MT-13116-00-00	GASKET, PUMP CASE (8Y0-13116-00)	1	
21	98580-05016-00	SCREW, PAN HEAD	2	

GENERATOR



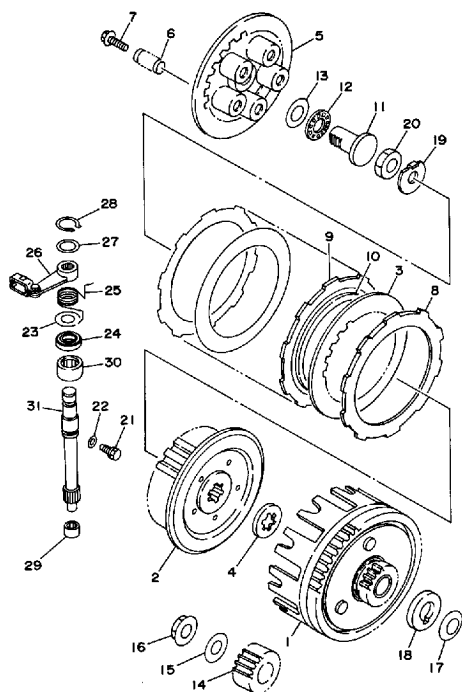
Ref. No.	Part Number	Description	Qty	Remarks
1	4BF-85550-00-00	ROTOR ASSEMBLY	1	
2	4BF-85560-00-00	BASE ASSEMBLY	1	
3	37A-85520-M1-00	. COIL, CHARGE	1	
4	4BF-81313-00-00	. COIL, LIGHTING 1	1	
5	4BF-81314-00-00	. COIL, LIGHTING 2	1	
6	4BF-85595-00-00	. GROMMET	1	
7	98503-04014-00	. SCREW, PAN HEAD	2	
8	98511-04025-00	. SCREW, PAN HEAD	4	
9	98580-04008-00	. SCREW, PAN HEAD	2	
10	97601-04106-00	. SCREW, PN/HD.W/WSHR	3	
11	98511-04006-00	. SCREW, PAN HEAD (98501-04005)	1	
12	90179-12421-00	NUT, SPEC'L SHAPE	1	
13	90201-123L6-00	WASHER, PLATE	1	

STARTER



Ref. No.	Part Number	Description	Qty	Remarks
1	10V-15660-00-00	KICK AXLE ASSEMBLY	1	
2	10V-15641-00-00	GEAR, KICK (23T)	1	
3	90468-26048-00	CLIP	1	
4	90201-200J7-00	WASHER, PLATE	1	
5	90508-26667-00	SPRING, TORSION	1	
6	10V-15666-00-00	SPACER	1	
7	10V-15651-00-00	GEAR, KICK IDLE (29T)	1	
8	90201-154E8-00	WASHER, PLATE (1.0T)	2	
9	93440-15012-00	CIRCLIP	2	
10	3XP-15620-01-00	KICK CRANK ASSEMBLY (3XP-15620-00)	1	SEE NOTE
11	3XP-15621-00-00	. BOSS, KICK CRANK	1	
12	90501-12081-00	. SPRING, COMPRESSION	1	
13	93507-32031-00	. BALL	1	
14	90201-12631-00	. WASHER, PLATE	1	
15	93430-08007-00	. CIRCLIP	1	
16	90179-12244-00	NUT, SPEC'L SHAPE	1	
17	93102-20309-00	SEAL, OIL	1	

CLUTCH

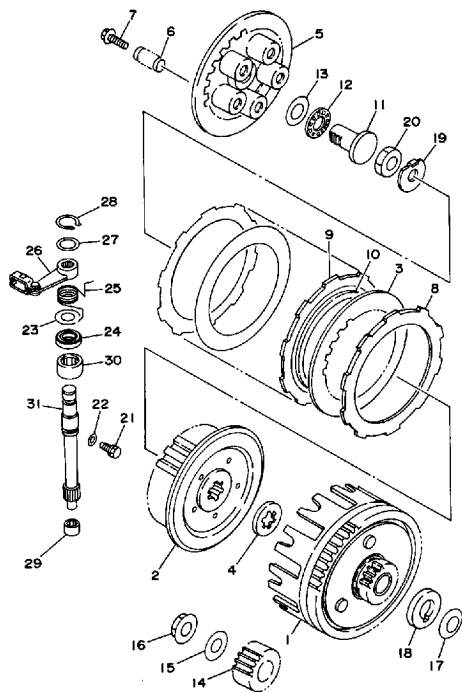


B-9

Ref. No.	Part Number	Description	Qty	Remarks
1	3XP-16150-00-00	PRI DRVN GEAR	1	
2	2TV-16371-00-00	BOSS, CLUTCH	1	
3	1V1-16324-00-00	PLATE, CLUTCH 1	6	
4	2TV-16154-00-00	PLATE, THRUST 1	1	
5	3XP-16351-00-00	PLATE, PRESSURE 1	1	
6	90501-20568-00	SPRING, COMPRESSION	5	
7	90119-05001-00	BOLT, WITH WASHER	5	
8	21V-16321-00-00	PLATE, FRICTION	6	
9	1HX-16331-00-00	PLATE, FRICTION 2	1	
10	3BN-16383-00-00	SPRING, CLUTCH BOSS	1	
11	3LD-1637A-00-00	ROD PUSH ASSEMBLY	1	
12	93340-21505-00	BEARING	1	
13	90201-150H2-00	WASHER, PLATE	1	
14	3RR-16111-00-00	GEAR, PRI DRIVE	1	
15	90201-120E8-00	WASHER, PLATE	1	
16	90179-12244-00	NUT, SPEC'L SHAPE	1	
17	90208-18046-00	WASHER, CONICAL SPRING ..	1	
18	90201-180P2-00	WASHER, PLATE	1	
19	90215-12271-00	WASHER, LOCK	1	
20	90170-12370-00	NUT	1	
21	90109-06418-00	BOLT	1	
22	90430-06014-00	GASKET	1	
23	90201-12474-00	WASHER, PLATE	1	
24	93102-15212-00	OIL SEAL	1	
25	90508-14767-00	SPRING, TORSION	1	
26	4H7-16340-00-00	PUSH LEVER ASSEMBLY	1	SEE NOTE
27	90201-10119-00	WASHER, PLATE	1	
28	99009-10400-00	CIRCLIP	1	
29	93315-10838-00	BEARING	1	

CONTINUED ON NEXT FRAME ➤

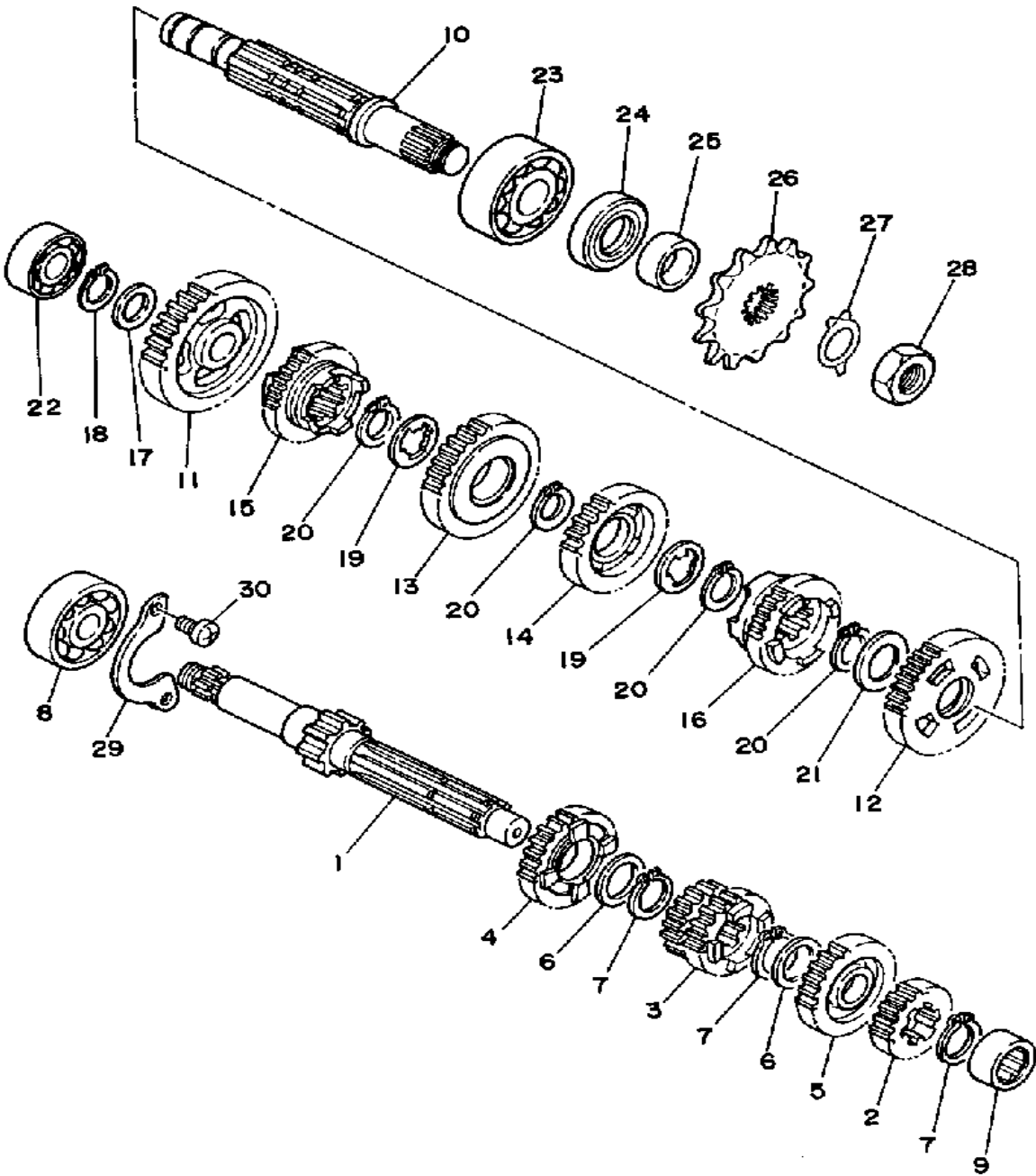
CLUTCH



B-9

Ref. No.	Part Number	Description	Qty	Remarks
30	93315-31502-00	BEARING	1	
31	3JD-16382-00-00	AXLE, PUSH LEVER	1	

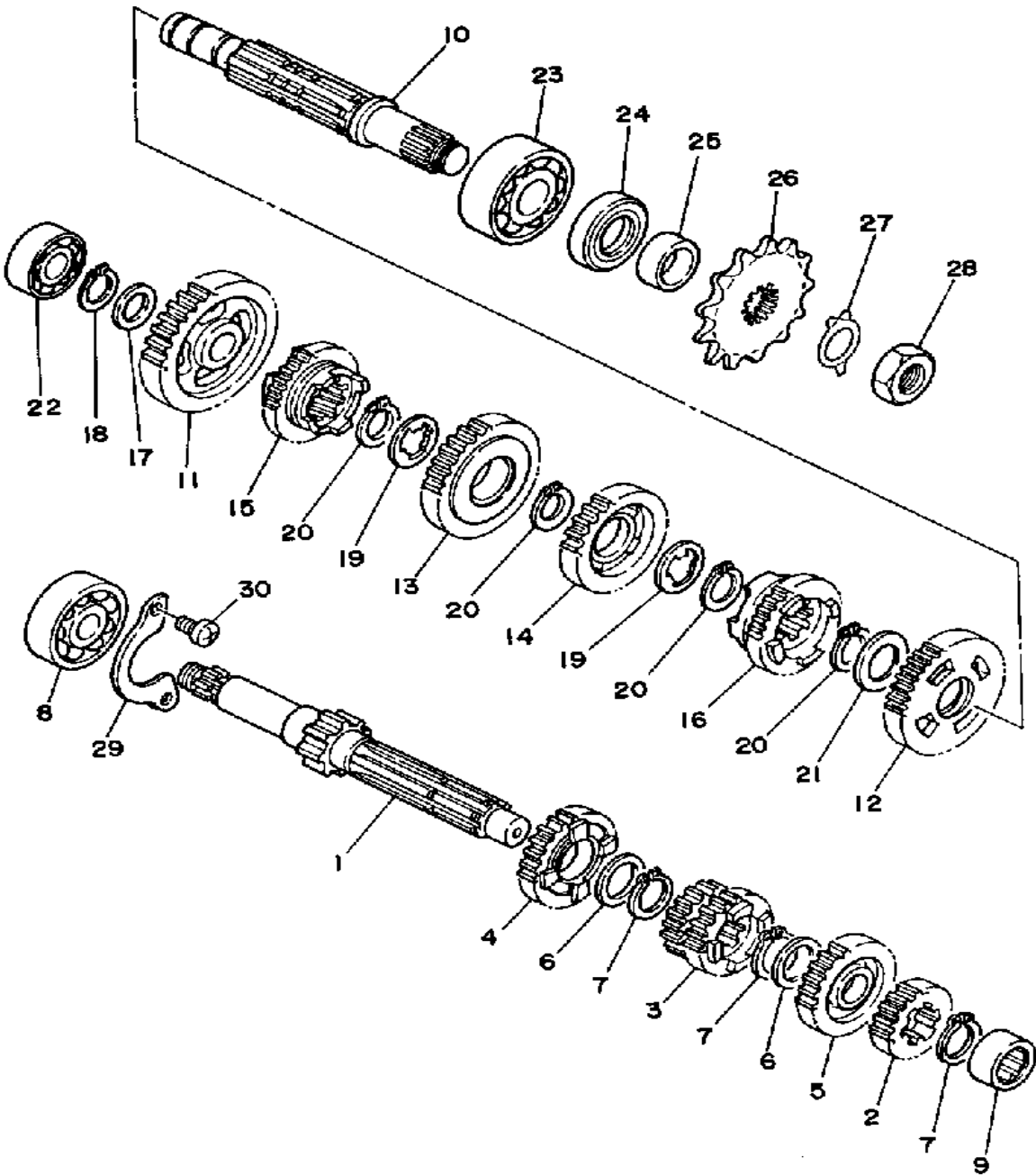
TRANSMISSION



Ref. No.	Part Number	Description	Qty	Remarks
1	4BF-17411-00-00	AXLE, MAIN	1	
2	3BN-17121-00-00	GEAR, 2ND PINION	1	
3	3BN-17131-01-00	GEAR, 3RD PINION	1	
4	3BN-17151-01-00	GEAR, 5TH PINION	1	
5	3BN-17161-02-00	GEAR, 6TH PINION	1	
6	90201-20266-00	WASHER, PLATE (1.0T)	2	
7	93410-20038-00	CIRCLIP	3	
8	93306-20417-00	BEARING (B62042RS)	1	
9	93311-31567-00	BEARING, CYLINDRICAL	1	
10	3BN-17421-00-00	AXLE, DRIVE	1	
11	4BF-17211-00-00	GEAR, 1ST WHEEL	1	
12	3BN-17221-00-00	GEAR, 2ND WHEEL	1	
13	3BN-17231-01-00	GEAR, 3RD WHEEL	1	
14	3XP-17241-00-00	GEAR, 4TH WHEEL	1	
15	3BN-17251-02-00	GEAR, 5TH WHEEL	1	
16	3XP-17261-00-00	GEAR, 6TH WHEEL	1	
17	90201-154E8-00	WASHER, PLATE (1.0T)	1	
18	99009-15400-00	CIRCLIP	1	
19	90209-18135-00	WASHER	2	
20	93410-22039-00	CIRCLIP	4	
21	90201-22555-00	WASHER, PLATE	1	
22	93306-20211-00	BEARING (6202SH2-C3)	1	
23	93306-30421-00	BEARING (B6304C3)	1	
24	93102-26042-00	OIL SEAL	1	
25	90387-205W8-00	COLLAR	1	
26	9383A-13031-00	SPROCKET, DRIVE 13T (2HG1746130)	1	
27	90215-20283-00	WASHER, LOCK	1	
28	90179-16613-00	NUT, SPEC'L SHAPE	1	

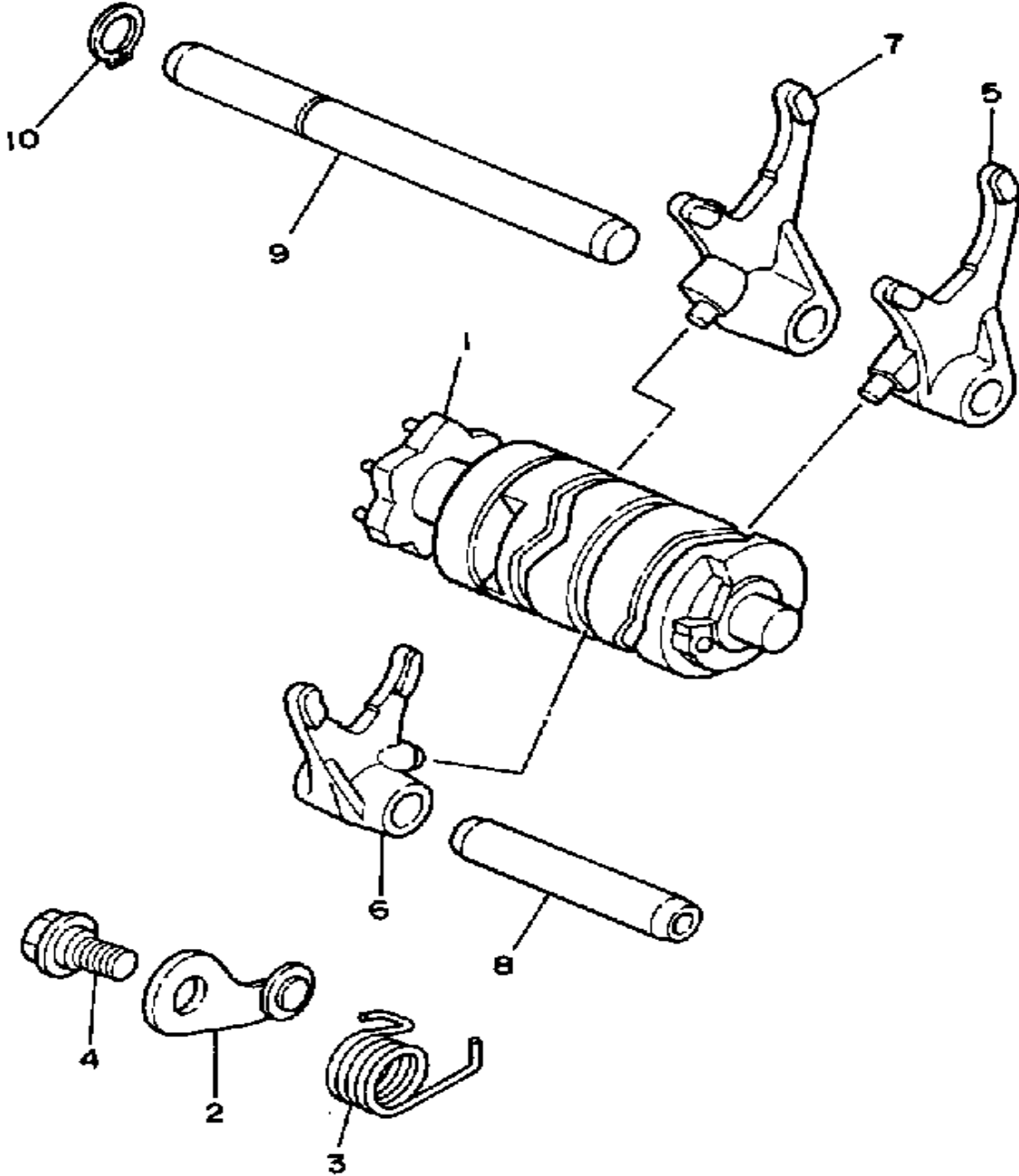
CONTINUED ON NEXT FRAME ►

TRANSMISSION



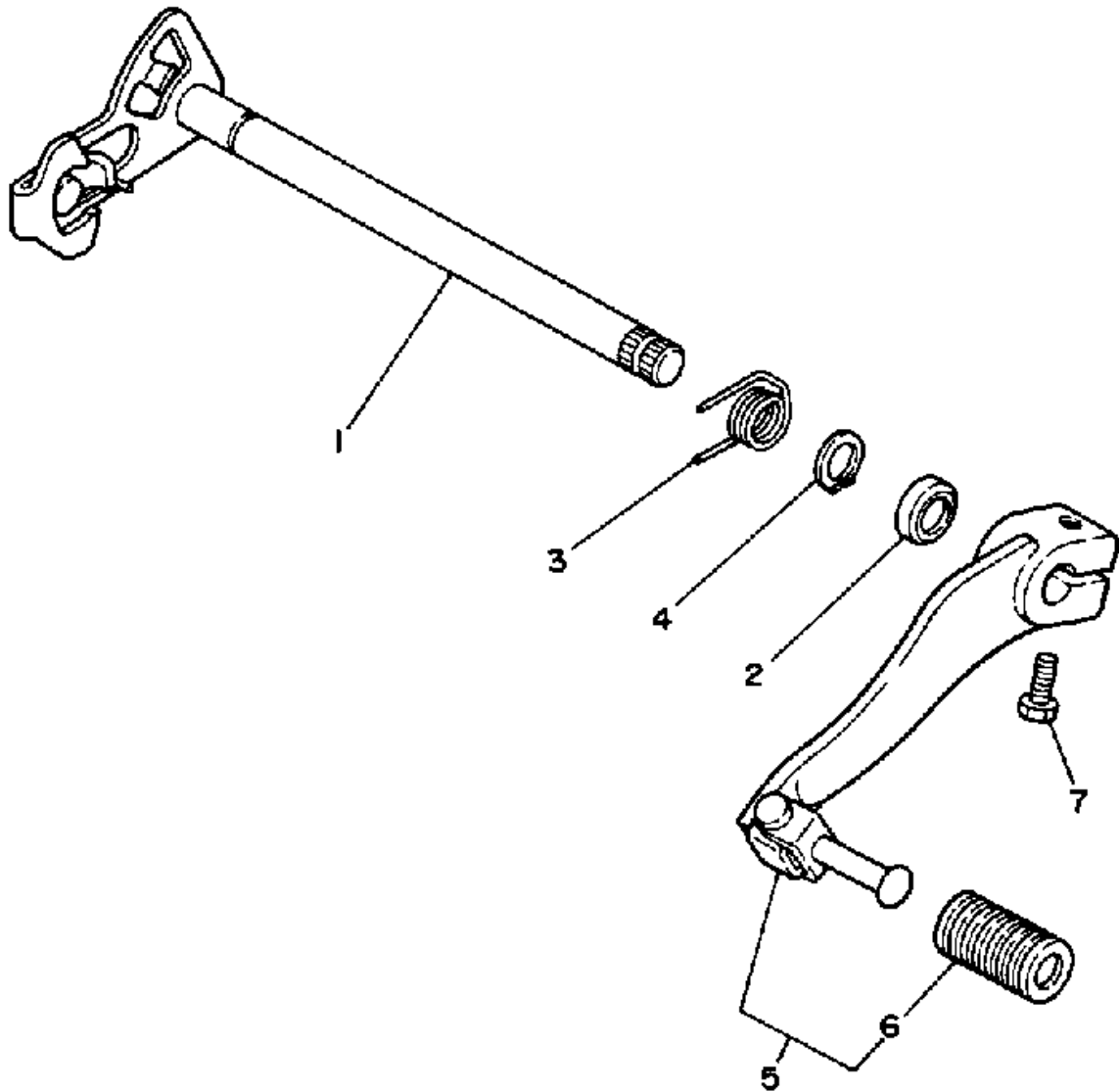
Ref. No.	Part Number	Description	Qty	Remarks
29	4BF-17471-00-00	PLATE, COVER	1	
30	98580-06012-00	SCREW, PAN HEAD	2	

SHIFT CAM-FORK



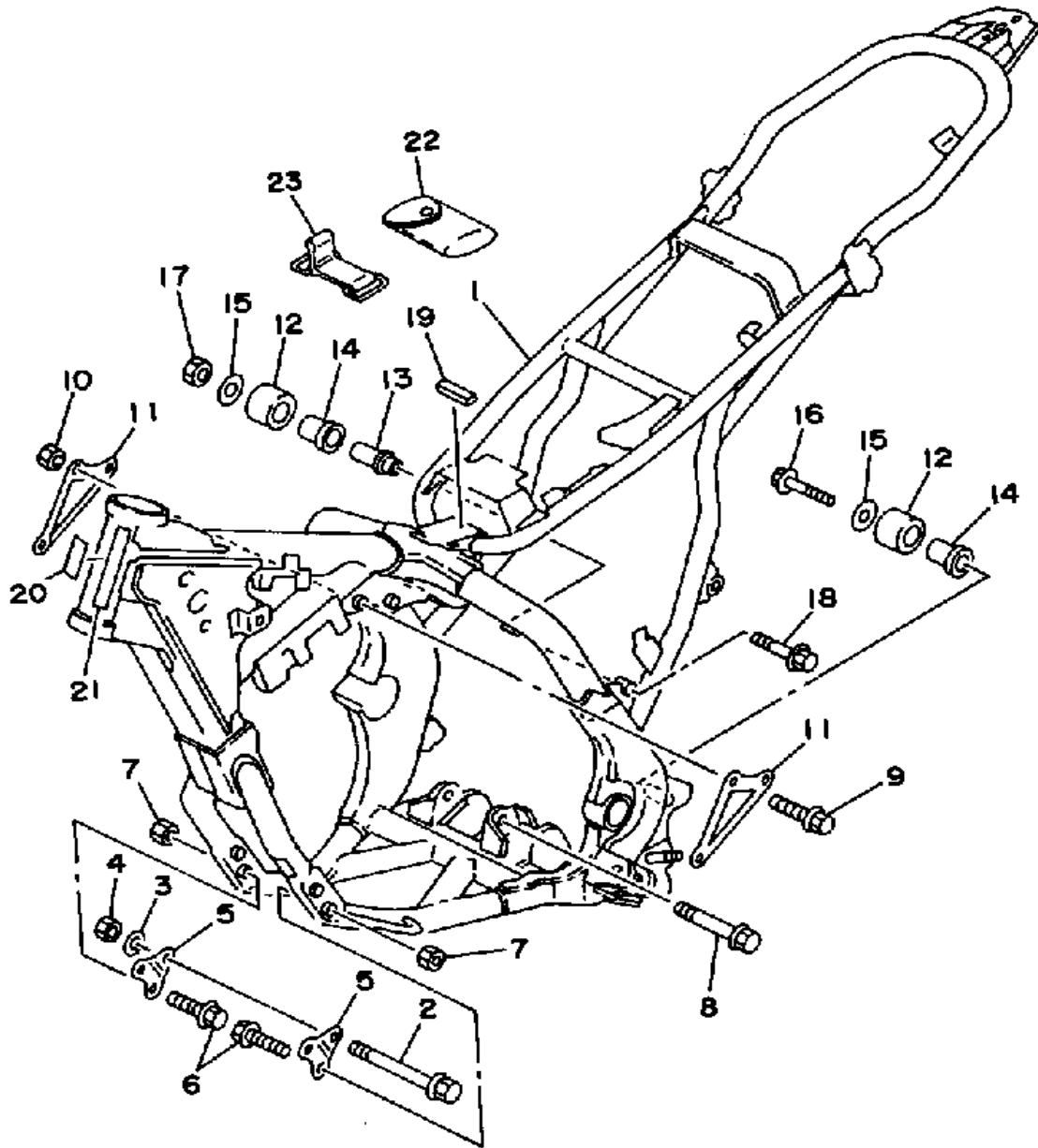
Ref. No.	Part Number	Description	Qty	Remarks
1	3XP-18540-00-00	SHIFT CAM ASSEMBLY	1	
2	3BN-18140-00-00	STOPPER LEVER ASSEMBLY	1	
3	90508-26561-00	SPRING, TORSION	1	
4	90109-063F7-00	BOLT	1	
5	55K-18511-01-00	FORK, SHIFT 1	1	
6	2RH-18512-00-00	FORK, SHIFT 2	1	
7	55K-18513-00-00	FORK, SHIFT 3	1	
8	55K-18531-00-00	BAR, SHFT FRK GDE 1	1	
9	3BN-18535-00-00	BAR, SHFT FRK GDE 2	1	
10	99009-10400-00	CIRCLIP	1	

SHIFT SHAFT



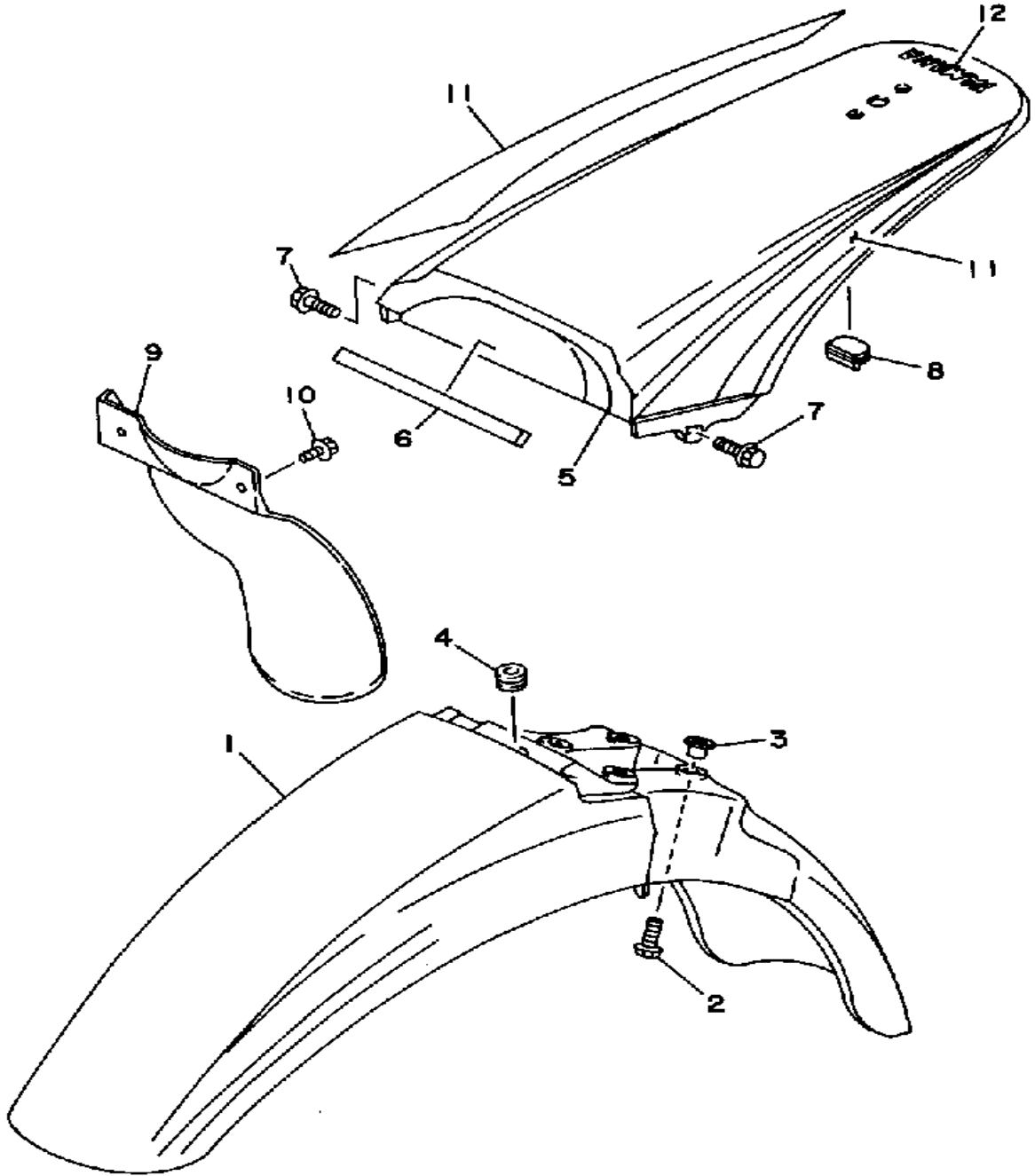
Ref. No.	Part Number	Description	Qty	Remarks
1	10W-18101-03-00	SHIFT SHAFT ASSEMBLY 1	1	
2	93101-12060-00	OIL SEAL	1	
3	90508-32553-00	SPRING, TORSION	1	
4	99006-10600-00	CIRCLIP	1	
5	3XP-18110-00-00	SHIFT PEDAL ASSEMBLY	1	
6	1W6-18113-00-00	. COVER, SHIFT PEDAL	1	
7	97011-06020-00	BOLT	1	

FRAME



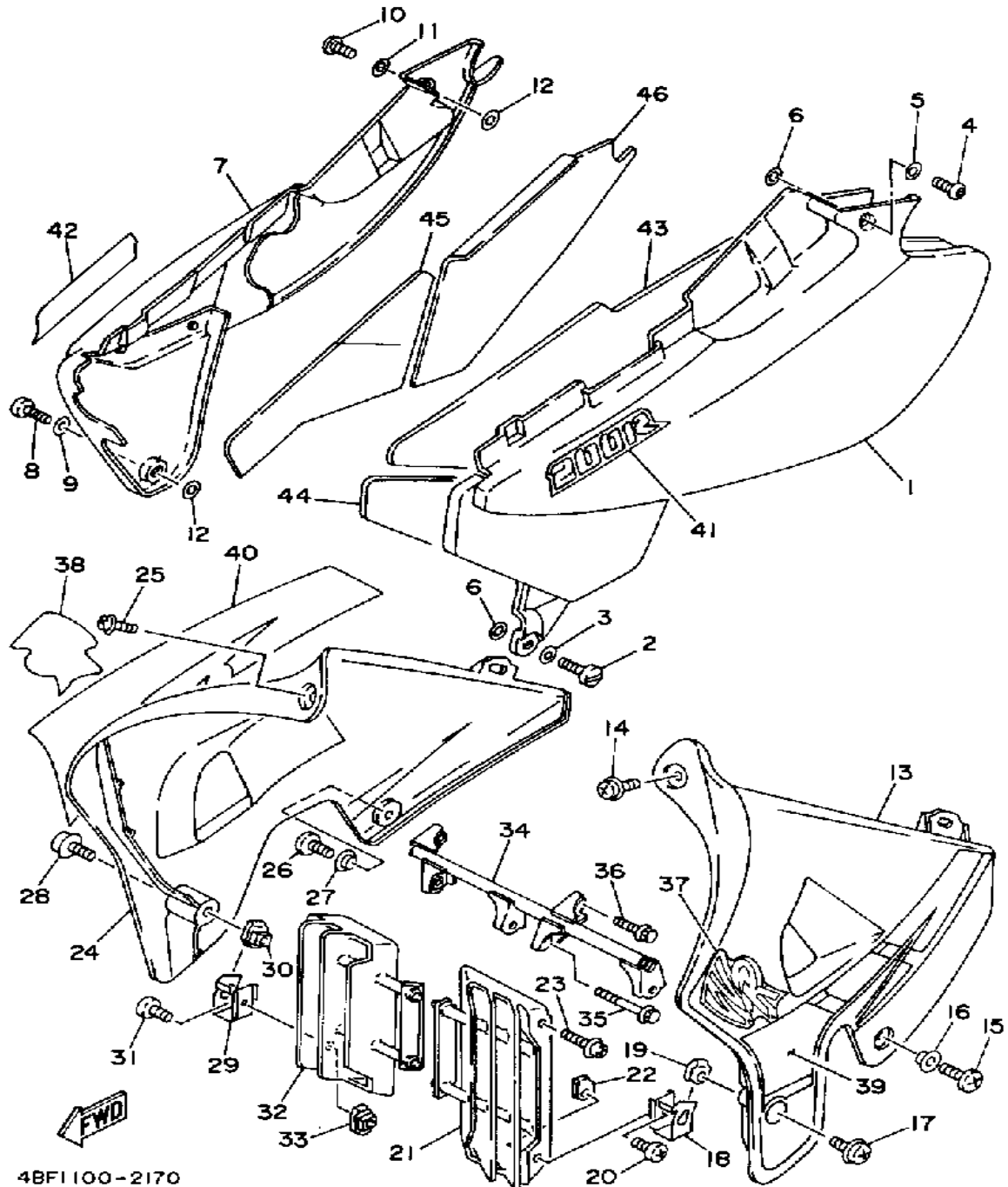
Ref. No.	Part Number	Description	Qty	Remarks
1	4BF-21110-00-UJ	FRAME	1	RADICAL WHT
2	90105-10645-00	BOLT, WASHER BASED	1	
3	90201-100E9-00	WASHER, PLATE	1	
4	90185-10060-00	NUT, SELF-LOCKING	1	
5	3XP-21415-00-00	BRACKET, FRT UPR 1	2	
6	90105-08663-00	BOLT, WASHER	4	
7	95611-08200-00	NUT WASHER BSD	4	
8	90105-08646-00	BOLT, WASHER BASED	1	
9	90105-08663-00	BOLT, WASHER	3	
10	95611-08200-00	NUT WASHER BSD	3	
11	3XP-21425-00-00	BRACKET, REAR UPR 1	2	
12	30X-22178-00-00	TENSIONER	2	
13	2K7-2148A-00-00	SHAFT	1	
14	10V-22184-00-00	BUSH	2	
15	90201-08753-00	WASHER, PLATE	2	
16	95023-08050-00	BOLT, FLANGE (95021-08050) .	1	
17	95611-08100-00	NUT, U	1	
18	95023-08012-00	BOLT	1	
19	(56J-21747-00-00)	DAMPER	1	
20	4BF-2179X-00-00	PLATE, EPA U 0	1	
21	1JK-21268-00-00	SEAL	1	
22	3XP-28100-00-00	TOOL KIT	1	
23	1KH-82131-00-00	BAND, BATTERY	1	

FENDER



Ref. No.	Part Number	Description	Qty	Remarks
1	3XP-21511-00-00	FENDER, FRONT	1	
2	90119-06097-00	BOLT, WITH WASHER	4	
3	90387-062V8-00	COLLAR	4	
4	90480-13398-00	GROMMET	1	
5	4BF-21611-00-00	FENDER, REAR	1	
6	3XP-21639-00-00	DAMPER 2	1	
7	90119-06207-00	BOLT, WITH WASHER	2	
8	90480-16185-00	GROMMET	1	
9	39X-21642-00-00	GUARD, FLAP	1	
10	90119-06194-00	BOLT, WITH WASHER	2	
11	3XP-2165A-11-00	GRP HC SET RR Fندر	1	
12	99244-00020-00	EMBLEM (YAMAHA-3JM)	1	

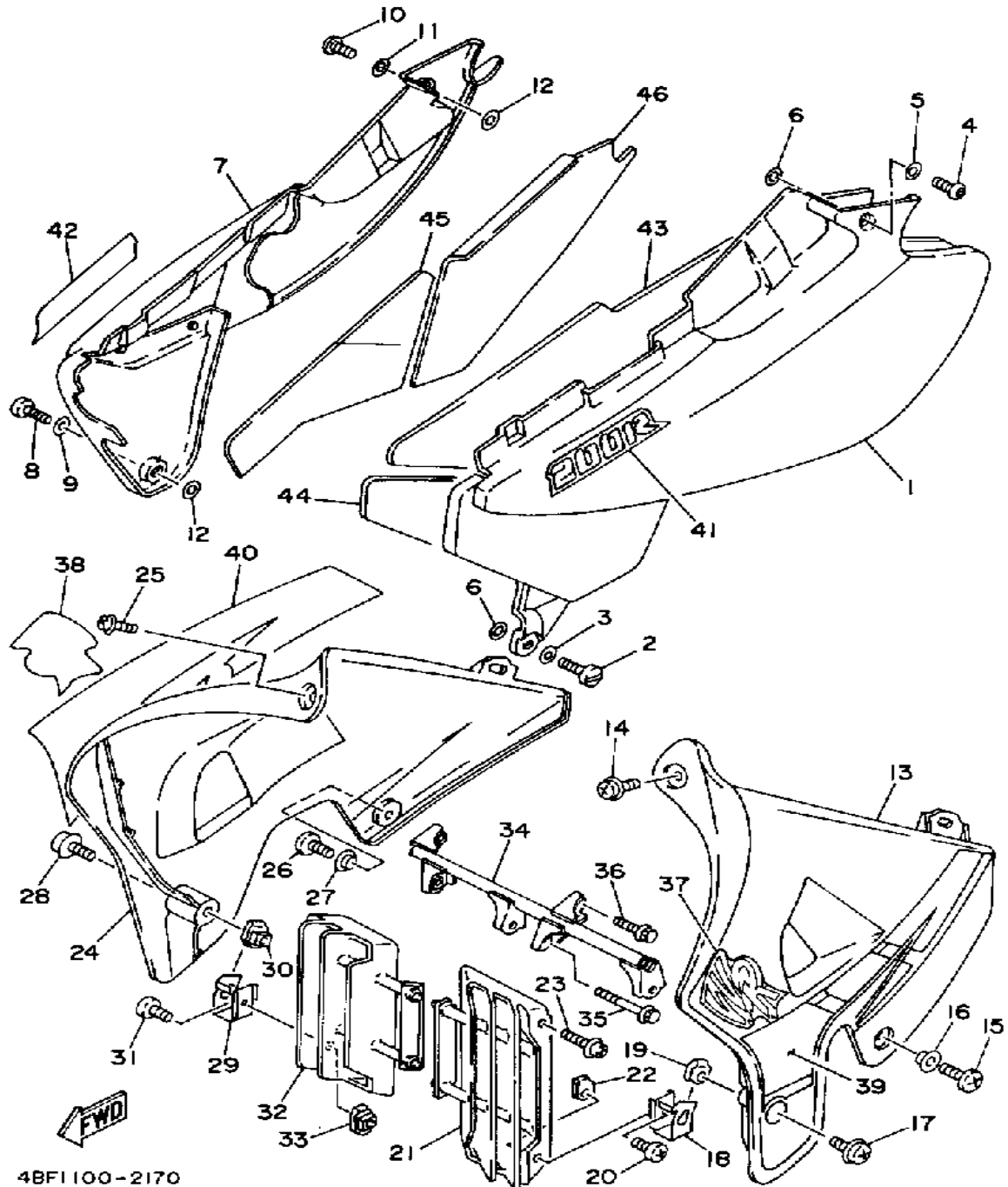
SIDE COVER



Ref. No.	Part Number	Description	Qty	Remarks
1	3XP-21711-01-00	. COVER, SIDE 1	1	
	4U5-2176E-00-00	. PLATE	1	
	90149-06305-00	. SCREW	1	
	90183-06023-00	. NUT, SPRING	1	
	90201-06M08-00	. WASHER, PLATE	1	
	99999-02255-00	COVER, SIDE 1	1	SEE NOTE
2	90480-13398-00	GROMMET	1	
3	90149-06223-00	SCREW	1	
4	90201-062A8-00	WASHER, PLATE	1	
5	4U5-2176E-00-00	PLATE	1	
6	99999-02256-00	COVER, SIDE 2	1	SEE NOTE
7	90480-13398-00	GROMMET	1	
8	90149-06223-00	SCREW	1	
9	90201-062A8-00	WASHER, PLATE	1	
10	4U5-2176E-00-00	PLATE	1	
11	4BF-21731-00-00	COVER, SIDE 3	1	
12	90159-06160-00	SCREW, WITH WASHER	1	
13	90154-05063-00	SCREW, BINDING	2	
14	90387-062M9-00	COLLAR	2	
15	90159-05183-00	SCREW, WITH WASHER	1	
16	4BF-2138K-01-00	BRACKET, 1	1	
17	22W-21791-00-00	NUT	1	
18	90157-05079-00	SCREW, PAN HEAD	1	
19	3XJ-2172A-00-00	PANEL 1	1	
20	22W-21791-00-00	NUT	2	
21	90159-05183-00	SCREW, WITH WASHER	1	
22	4BF-21741-00-00	COVER, SIDE 4	1	
23	90159-06160-00	SCREW, WITH WASHER	1	
24	90154-05063-00	SCREW, BINDING	2	

CONTINUED ON NEXT FRAME ►

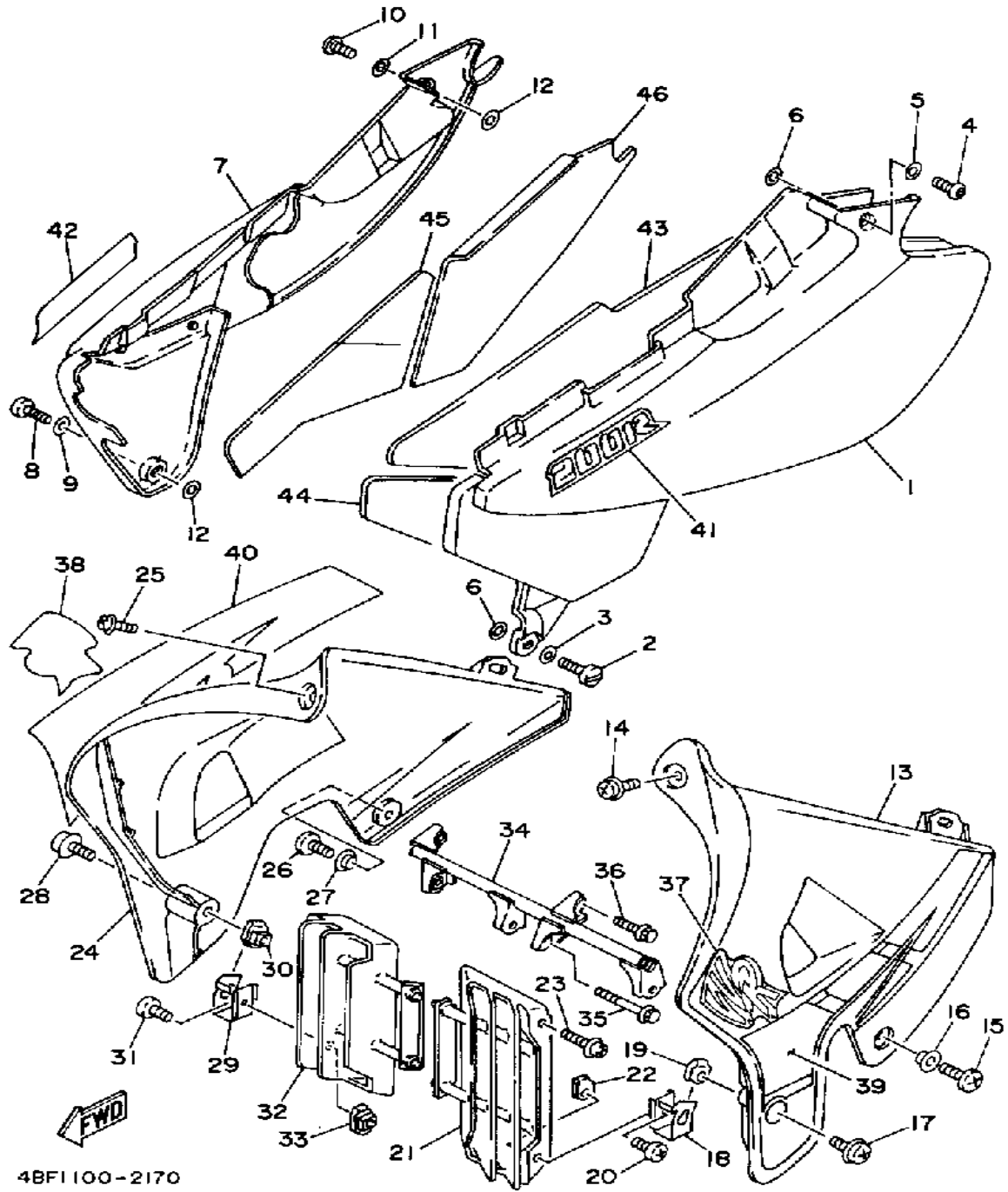
SIDE COVER



48F1100-2170

Ref. No.	Part Number	Description	Qty	Remarks
25	90387-062M9-00	COLLAR	2	
26	90159-05183-00	SCREW, WITH WASHER	1	
27	4BF-2138L-00-00	BRACKET, 2	1	
28	22W-21791-00-00	NUT	1	
29	90157-05079-00	SCREW, PAN HEAD	1	
30	3XJ-2172F-00-00	PANEL 2	1	
31	22W-21791-00-00	NUT	2	
32	3XP-2174F-00-00	GUARD, RADIATOR	1	
33	95023-08045-00	BOLT	1	
34	95023-08012-00	BOLT	1	
35	4BF-21781-00-00	EMBLEM 1	1	
36	4BF-21781-00-00	EMBLEM 1	1	
37	3XP-2173E-11-00	GRAPHIC 1	1	
38	3XP-2173L-11-00	GRAPHIC SET 1	1	
39	3XP-21782-10-00	EMBLEM 2	1	
40	3XP-21782-10-00	EMBLEM 2	1	
41	3XP-21746-00-00	DAMPER	1	
42	3XP-21747-00-00	DAMPER	1	
43	3XP-2174A-00-00	INSULATOR, SIDE CVR	1	
44	3XP-2174T-00-00	INSULATOR, SIDE COV	1	

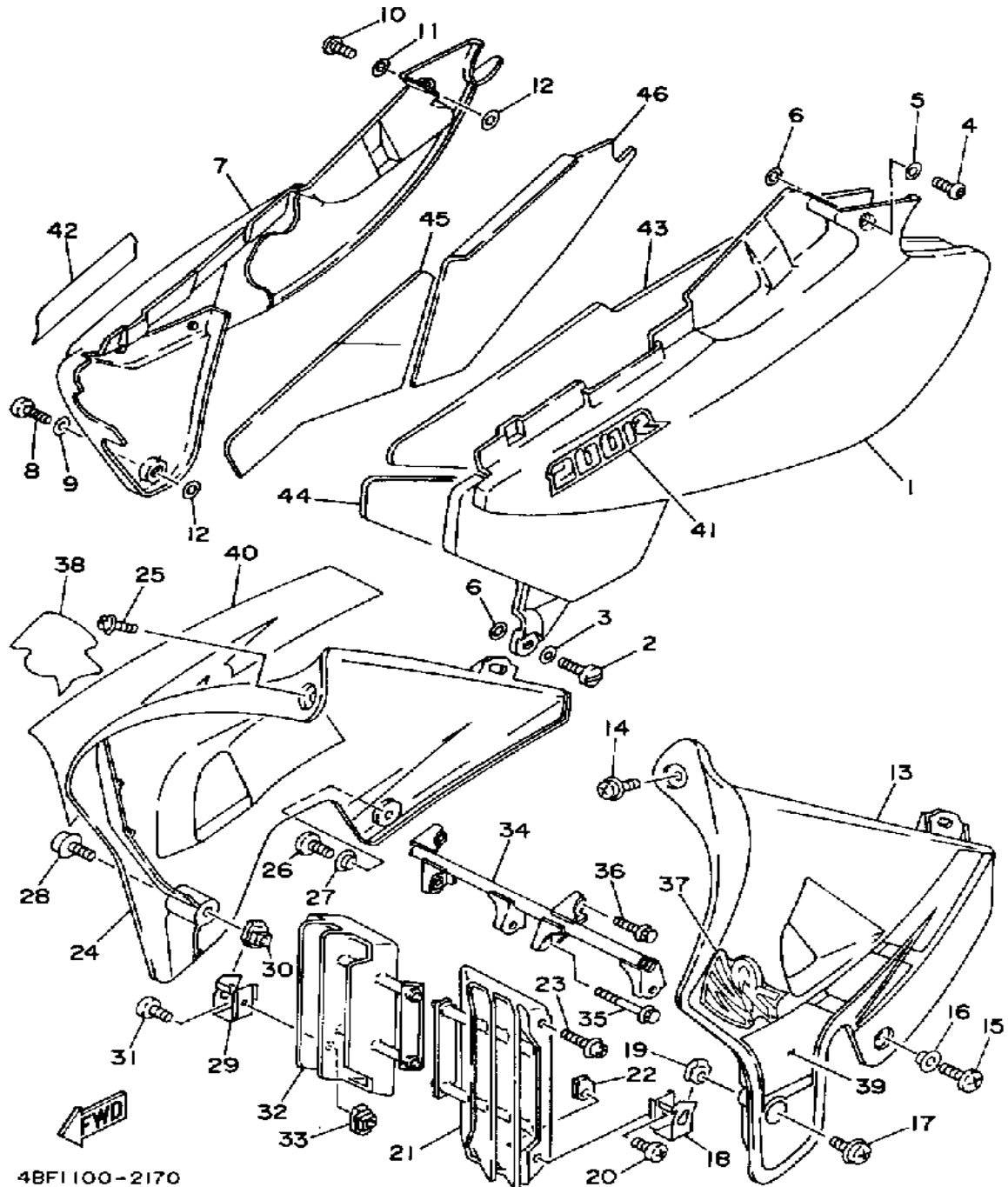
SIDE COVER



Ref. No.	Part Number	Description	Qty	Remarks
1	3XP-21711-01-00	COVER, SIDE 1	1	
2	90149-06223-00	SCREW	1	
3	90201-062A8-00	WASHER, PLATE	1	
4	90149-06305-00	SCREW	1	
5	90201-06M08-00	WASHER, PLATE	1	
6	4U5-2176E-00-00	PLATE	2	
7	3XP-21721-01-00	COVER, SIDE 2	1	
8	90149-06223-00	SCREW	1	
9	90201-062A8-00	WASHER, PLATE	1	
10	90149-06305-00	SCREW	1	
11	90201-06M08-00	WASHER, PLATE	1	
12	4U5-2176E-00-00	PLATE	2	
13	4BF-21731-00-00	COVER, SIDE 3	1	
14	90159-06160-00	SCREW, WITH WASHER	1	
15	90154-05063-00	SCREW, BINDING	2	
16	90387-062M9-00	COLLAR	2	
17	90159-05183-00	SCREW, WITH WASHER	1	
18	4BF-2138K-01-00	BRACKET, 1	1	
19	22W-21791-00-00	NUT	1	
20	90157-05079-00	SCREW, PAN HEAD	1	
21	3XJ-2172A-00-00	PANEL 1	1	
22	22W-21791-00-00	NUT	2	
23	90159-05183-00	SCREW, WITH WASHER	1	
24	4BF-21741-00-00	COVER, SIDE 4	1	
25	90159-06160-00	SCREW, WITH WASHER	1	
26	90154-05063-00	SCREW, BINDING	2	
27	90387-062M9-00	COLLAR	2	
28	90159-05183-00	SCREW, WITH WASHER	1	
29	4BF-2138L-00-00	BRACKET, 2	1	

CONTINUED ON NEXT FRAME ➤

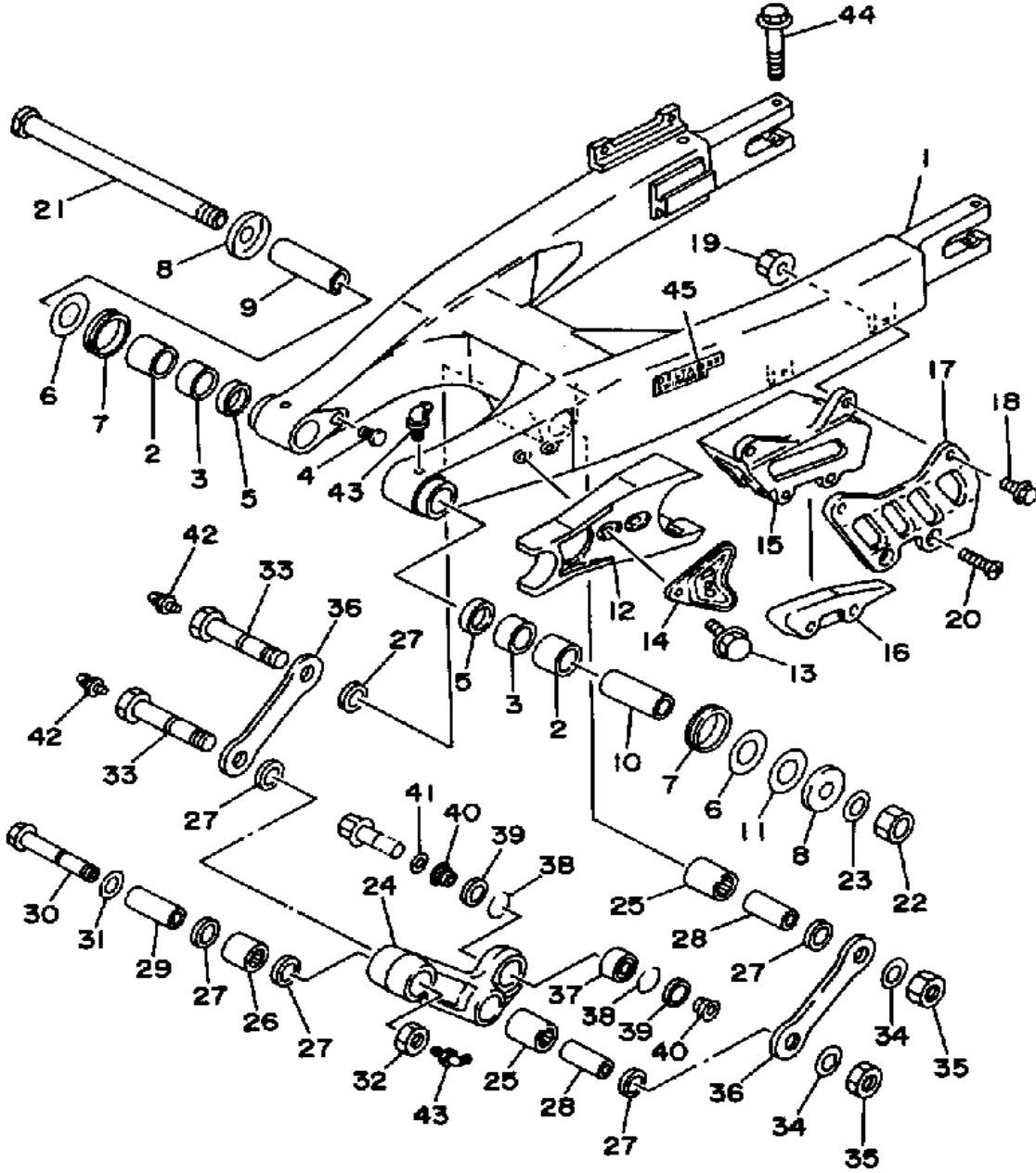
SIDE COVER



48F1100-2170

Ref. No.	Part Number	Description	Qty	Remarks
30	22W-21791-00-00	NUT	1	
31	90157-05079-00	SCREW, PAN HEAD	1	
32	3XJ-2172F-00-00	PANEL 2	1	
33	22W-21791-00-00	NUT	2	
34	3XP-2174F-00-00	GUARD, RADIATOR	1	
35	95023-08045-00	BOLT	1	
36	95023-08012-00	BOLT	1	
37	4BF-21781-00-00	EMBLEM 1	1	
38	4BF-21781-00-00	EMBLEM 1	1	
39	3XP-2173E-11-00	GRAPHIC 1	1	
40	3XP-2173L-11-00	GRAPHIC SET 1	1	
41	3XP-21782-10-00	EMBLEM 2	1	
42	3XP-21782-10-00	EMBLEM 2	1	
43	3XP-21746-00-00	DAMPER	1	
44	3XP-21747-00-00	DAMPER	1	
45	3XP-2174A-00-00	INSULATOR, SIDE CVR	1	
46	3XP-2174T-00-00	INSULATOR, SIDE COV	1	

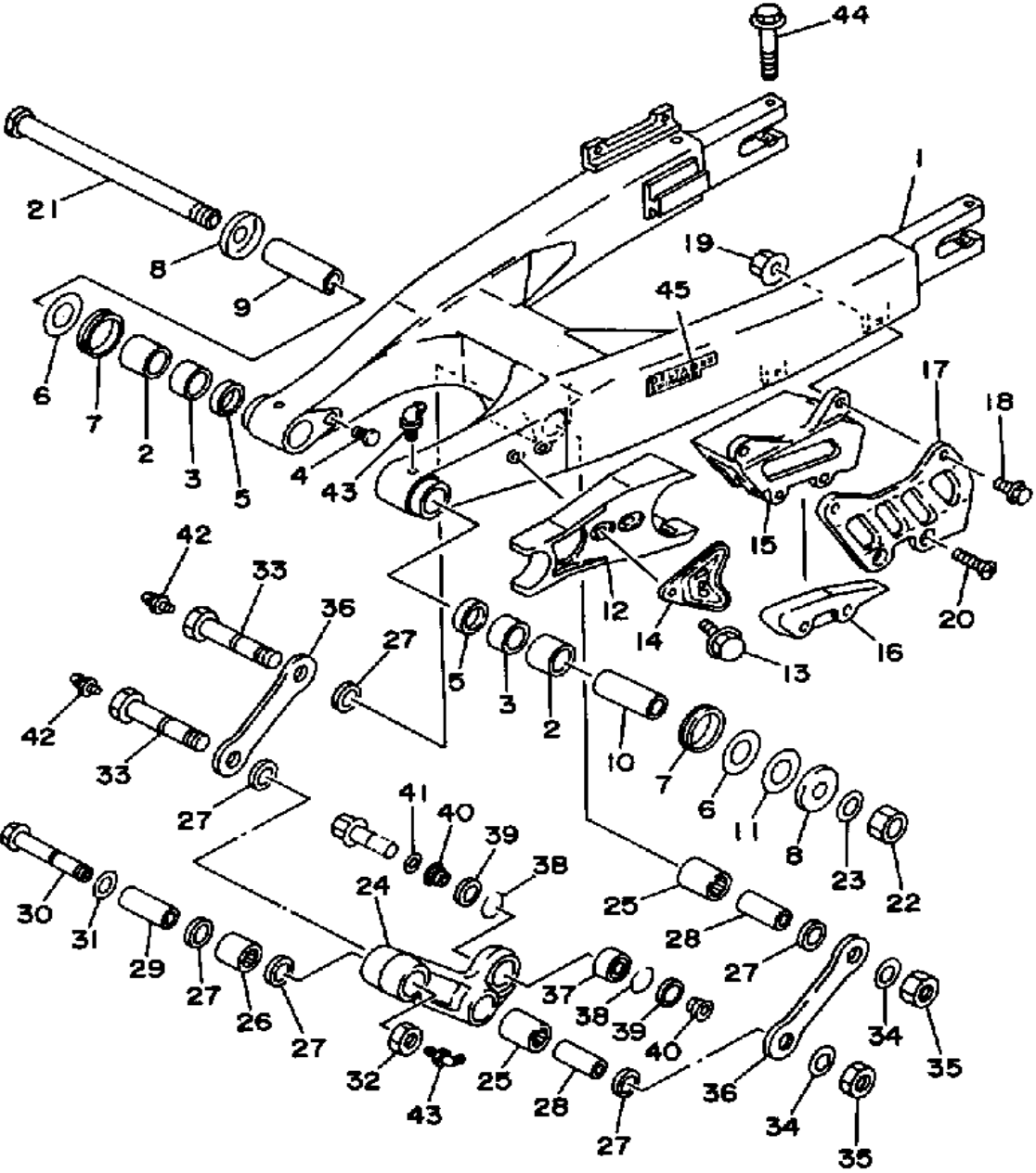
SWING ARM



Ref. No.	Part Number	Description	Qty	Remarks
1	4BF-22110-00-T9	REAR ARM (COMPETITION SILVER)	1	
2	93317-32231-00	BEARING	2	
3	90380-22111-00	BUSH, SOLID	2	
4	90338-10150-00	PLUG	2	
5	93106-22019-00	OIL SEAL (DC 22-28-8)	2	
6	90201-254H8-00	WASHER, PLATE	2	
7	93108-35004-00	OIL SEAL (35-41-8)	2	
8	30X-2219X-00-00	COVER	2	
9	90387-166X2-00	COLLAR	1	
10	90387-166X3-00	COLLAR	1	
11	90201-251F6-00	WASHER, PLATE	1	UN
12	3XP-22151-00-00	SEAL, GUARD	1	
13	95821-06014-00	BOLT, FLANGE	2	
14	3JD-22156-00-00	WASHER, PLATE	1	
15	3XP-22199-01-00	SUPPORT, CHAIN	1	
16	3JD-22147-00-00	PROTECTOR, CHAIN	1	
17	3JD-22128-00-00	COVER, THRUST 1	1	
18	95811-06025-00	BOLT, FLANGE	2	
19	95701-06500-00	NUT, FLANGE	2	
20	98701-06050-00	SCREW, FLAT HEAD	2	
21	1LX-22141-00-00	SHAFT, PIVOT	1	
22	90185-16127-00	NUT, SELF-LOCKING	1	
23	90201-164H4-00	WASHER, PLATE	1	
24	3XP-2217A-00-00	ARM, RELAY	1	
25	93315-22046-00	BEARING	2	
26	93315-22046-00	BEARING	1	
27	93109-20029-00	OIL SEAL, SDO-TYPE	6	
28	90387-166X0-00	COLLAR	2	

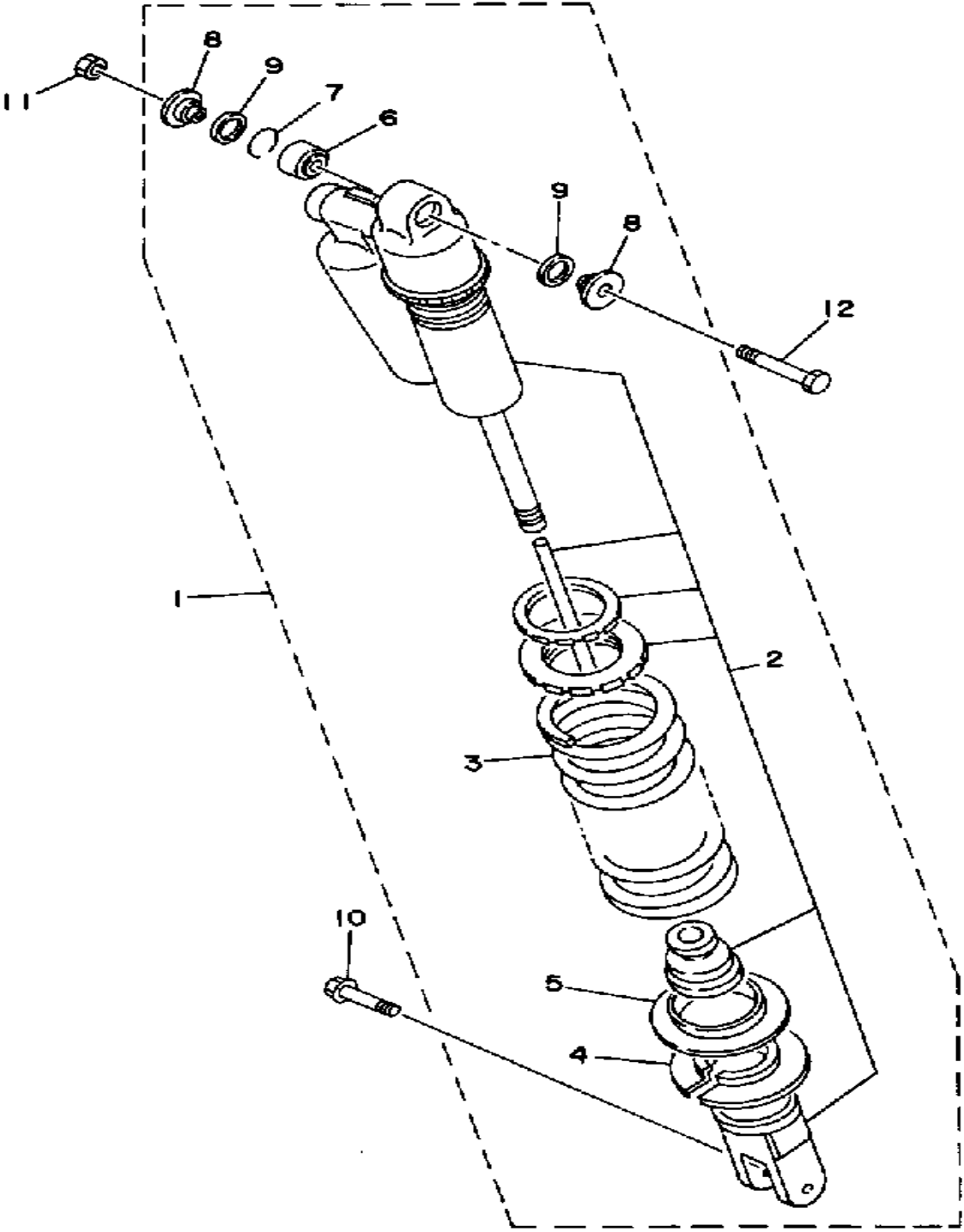
CONTINUED ON NEXT FRAME ►

SWING ARM



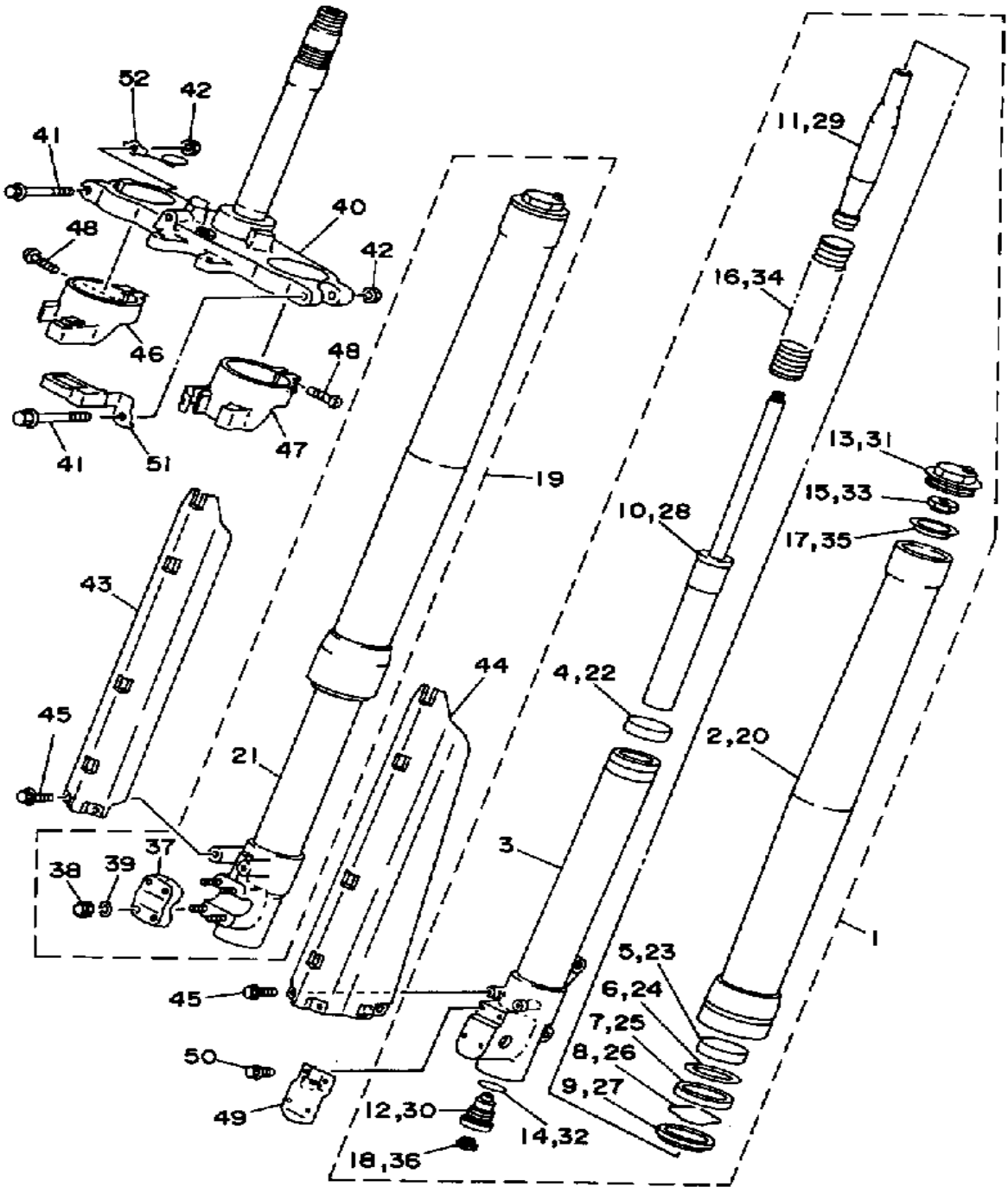
Ref. No.	Part Number	Description	Qty	Remarks
29	90387-166X1-00	COLLAR	1	
30	95811-10016-00	BOLT, FLANGE (95801-10016)	1	
31	90201-106F2-00	WASHER, PLATE	1	
32	90179-10616-00	NUT, SPEC'L SHAPE	1	
33	90401-14147-00	BOLT, UNION	2	
34	90201-160F6-00	WASHER, PLATE	2	
35	90185-14070-00	NUT, SELF-LOCKING	2	
36	3XP-2217F-00-00	ROD, CONNECTING 1	2	
37	93399-99935-00	BEARING	1	
38	93440-30113-00	CIRCLIP	2	
39	3XJ-22475-00-00	SEAL, DUST	2	
40	90387-103X9-00	COLLAR	2	
41	90201-08759-00	WASHER, PLATE	1	
42	93700-06M03-00	NIPPLE, GREASE	2	
43	93700-06005-00	NIPPLE, GREASE	3	
44	95811-06045-00	BOLT, flange (95812-06045-00)	2	
45	3XJ-2218A-00-00	EMBLEM, REAR ARM	2	

REAR SHOCKS



Ref. No.	Part Number	Description	Qty	Remarks
1	4BF-22210-00-P0	SHK/ABS ASSEMBLY, REAR (VIVID MAGNETA SOLID 2)	1	UR
2	4BF-22201-00-00	. DAMPER SUB ASSEMBLY	1	UR
3	4BF-22212-00-P0	. SPRING (VIVIDF MAGNETA SOLID 2)	1	
4	3XP-22214-00-00	. GUIDE, SPRING 1	1	
5	3XP-22224-00-00	. GUIDE, SPRING 2	1	
6	93399-99934-00	. BEARING	1	
7	93440-30113-00	. CIRCLIP	1	
8	90387-100Y3-00	. COLLAR	2	
9	23X-22211-00-00	. COVER	2	
10	90105-10614-00	BOLT, WASHER BASED	1	
11	95611-10200-00	NUT, SELF-LOCKING	1	
12	3SP-22241-00-00	BOLT 1	1	

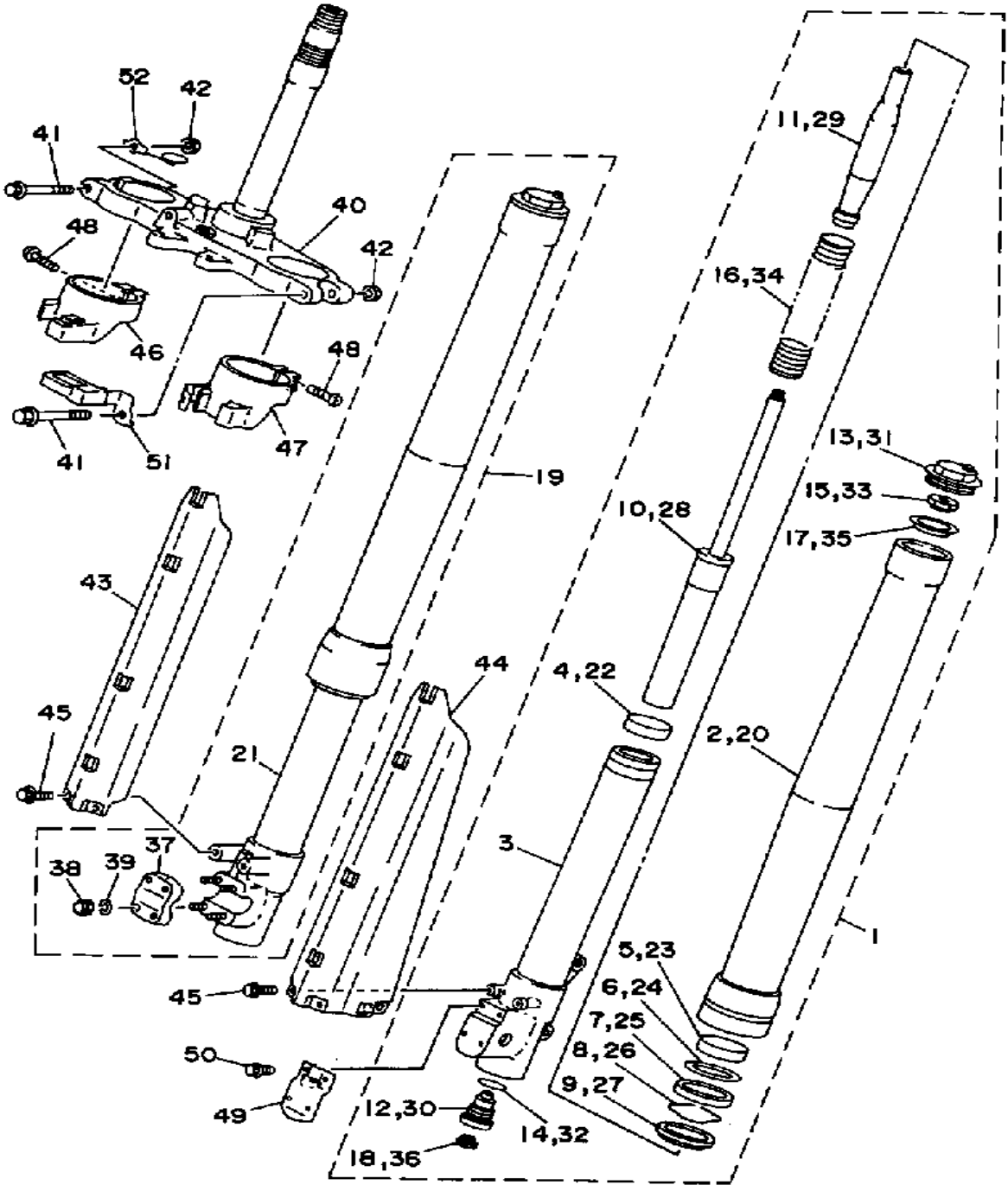
FRONT FORK



Ref. No.	Part Number	Description	Qty	Remarks
1	4BF-23102-00-00	FRONT FORK ASSEMBLY L	1	
2	3XP-23136-00-00	. TUBE, OUTER 2	1	
3	3XP-23120-00-00	. INNERTUBE COMP 2	1	
4	3JD-23171-L0-00	. METAL, SLIDE	1	
5	3JD-23125-L0-00	. METAL, SLIDE 1 (3LC-23125-00-00)	1	
6	36Y-23146-10-00	. WASHER, OIL SEAL	1	
7	3SP-23145-L0-00	. OIL SEAL	1	
8	26H-23156-00-00	. CLIP, OIL SEAL	1	
9	3SP-23144-L0-00	. SEAL, DUST	1	
10	3XP-23170-00-00	. CYLINDER COMP., FRK	1	
11	3XP-23142-00-00	. SEAT, SPRING UPPER	1	
12	4BF-2316A-00-00	. VALVE COMP.	1	
13	3XP-23111-00-00	. BOLT CAP	1	
14	2HH-23158-L0-00	. GASKET	1	
15	3XP-23778-00-00	. NUT	1	
16	4BF-23141-00-00	. SPRING, FRONT FORK	1	
17	3SP-23143-L0-00	. SEAT, SPRING LOWER	1	
18	55Y-2312G-M0-00	. PLUG	1	
19	4BF-23103-00-00	FRONT FORK ASSEMBLY R	1	
20	3XP-23136-00-00	. TUBE, OUTER 2	1	
21	3XP-23110-00-00	. INNERTUBE COMP 1	1	
22	3JD-23171-L0-00	. METAL, SLIDE	1	
23	3JD-23125-L0-00	. METAL, SLIDE 1 (3LC-23125-00-00)	1	
24	36Y-23146-10-00	. WASHER, OIL SEAL	1	
25	3SP-23145-L0-00	. OIL SEAL	1	
26	26H-23156-00-00	. CLIP, OIL SEAL	1	
27	3SP-23144-L0-00	. SEAL, DUST	1	

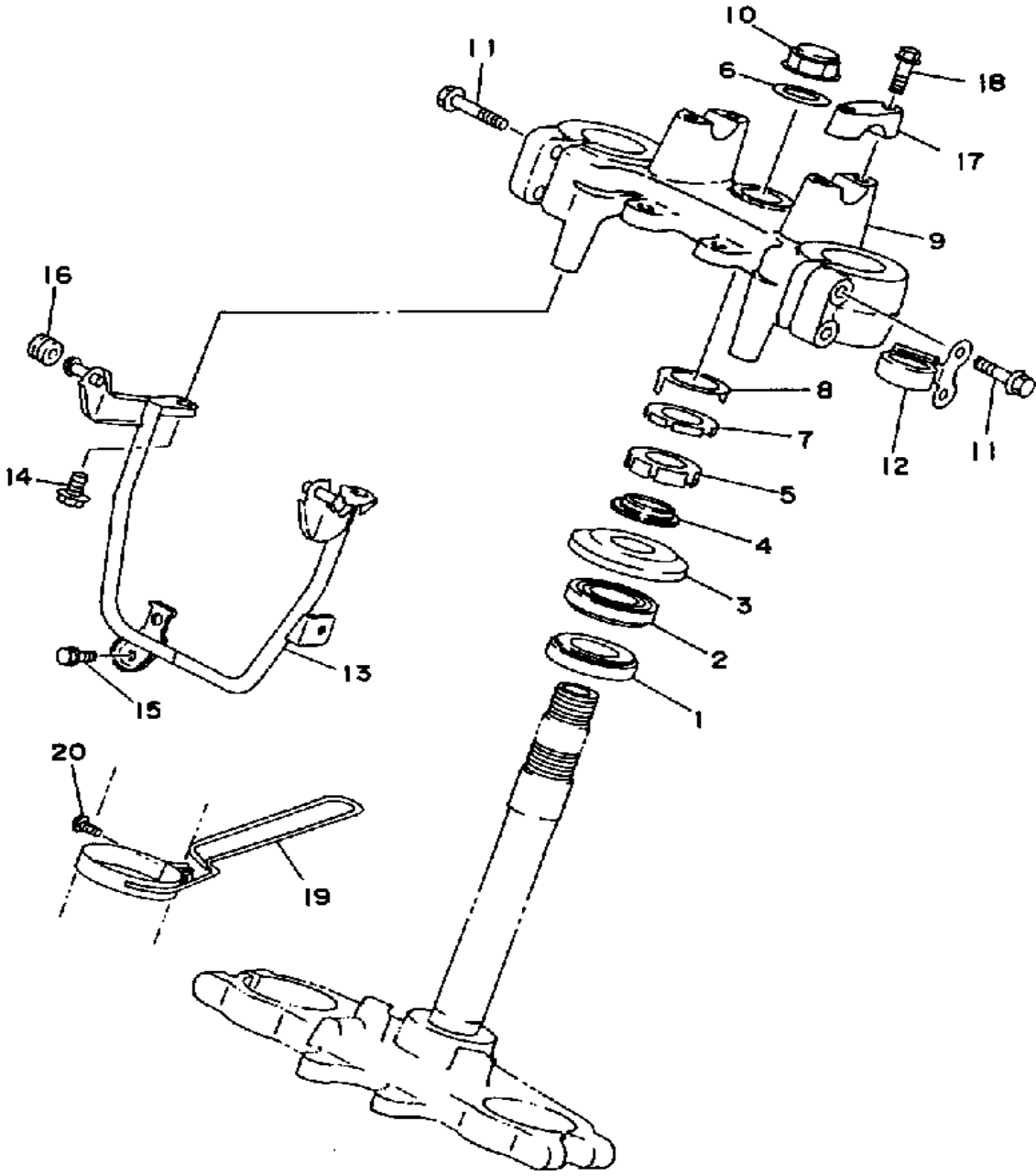
CONTINUED ON NEXT FRAME ►

FRONT FORK



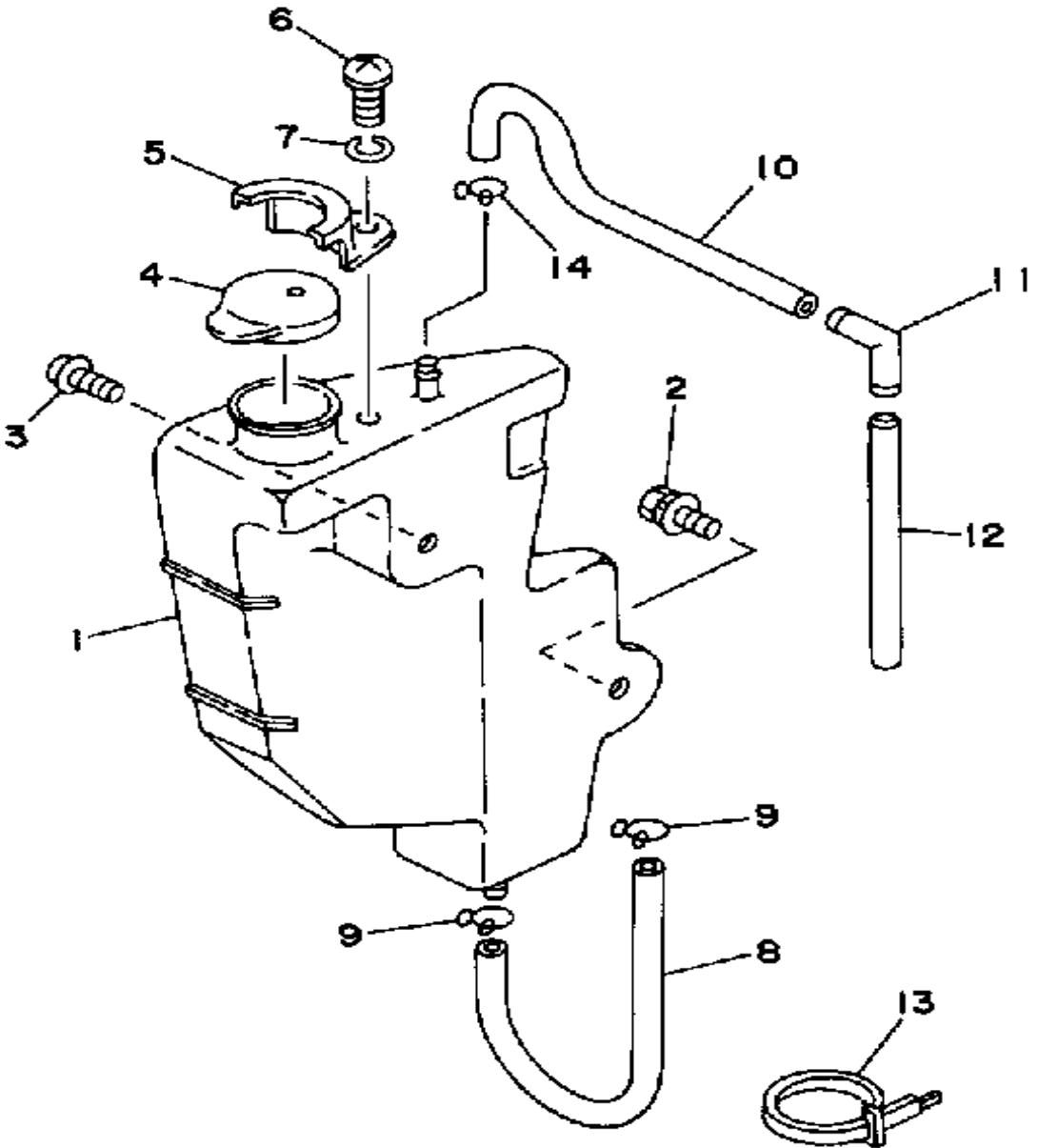
Ref. No.	Part Number	Description	Qty	Remarks
28	3XP-23170-00-00	. CYLINDER COMP., FRK	1	
29	3XP-23142-00-00	. SEAT, SPRING UPPER	1	
30	4BF-2316A-00-00	. VALVE COMP.	1	
31	3XP-23111-00-00	. BOLT CAP	1	
32	2HH-23158-L0-00	. GASKET	1	
33	3XP-23778-00-00	. NUT	1	
34	4BF-23141-00-00	. SPRING, FRONT FORK	1	
35	3SP-23143-L0-00	. SEAT, SPRING LOWER	1	
36	55Y-2312G-M0-00	. PLUG	1	
37	3XJ-23167-L0-00	. HOLDER, AXLE	1	
38	5Y3-23393-00-00	. NUT, SPECIAL	4	
39	92995-06100-00	. WASHER, SPRING	4	
40	3XP-23340-00-00	UNDER BRKT COMP.	1	
41	3XP-23346-00-00	BOLT 1	2	
42	95701-10500-00	NUT, FLANGE (95702-10500)	2	
43	3XP-2314J-L0-00	PROTECTOR COMP, 2	1	
44	3SP-2314H-L0-00	PROTECTOR COMP., 1	1	
45	3SP-23356-L0-00	BOLT 2	6	
46	3SP-2314G-L0-00	PROTECTOR GUIDE COMP., 2	1	
47	3SP-2314F-L0-00	PROTECTOR GUIDE COMP., 1	1	
48	4V4-23194-L0-00	SCREW, BOOT BAND	4	
49	3SP-2314E-L0-00	COVER, HOSE	1	
50	3SP-23346-L0-00	BOLT 1	4	
51	3XP-23318-10-00	HOLDER CABLE 1	1	
52	3XP-23389-10-00	GUIDE, CABLE	1	

STEERING



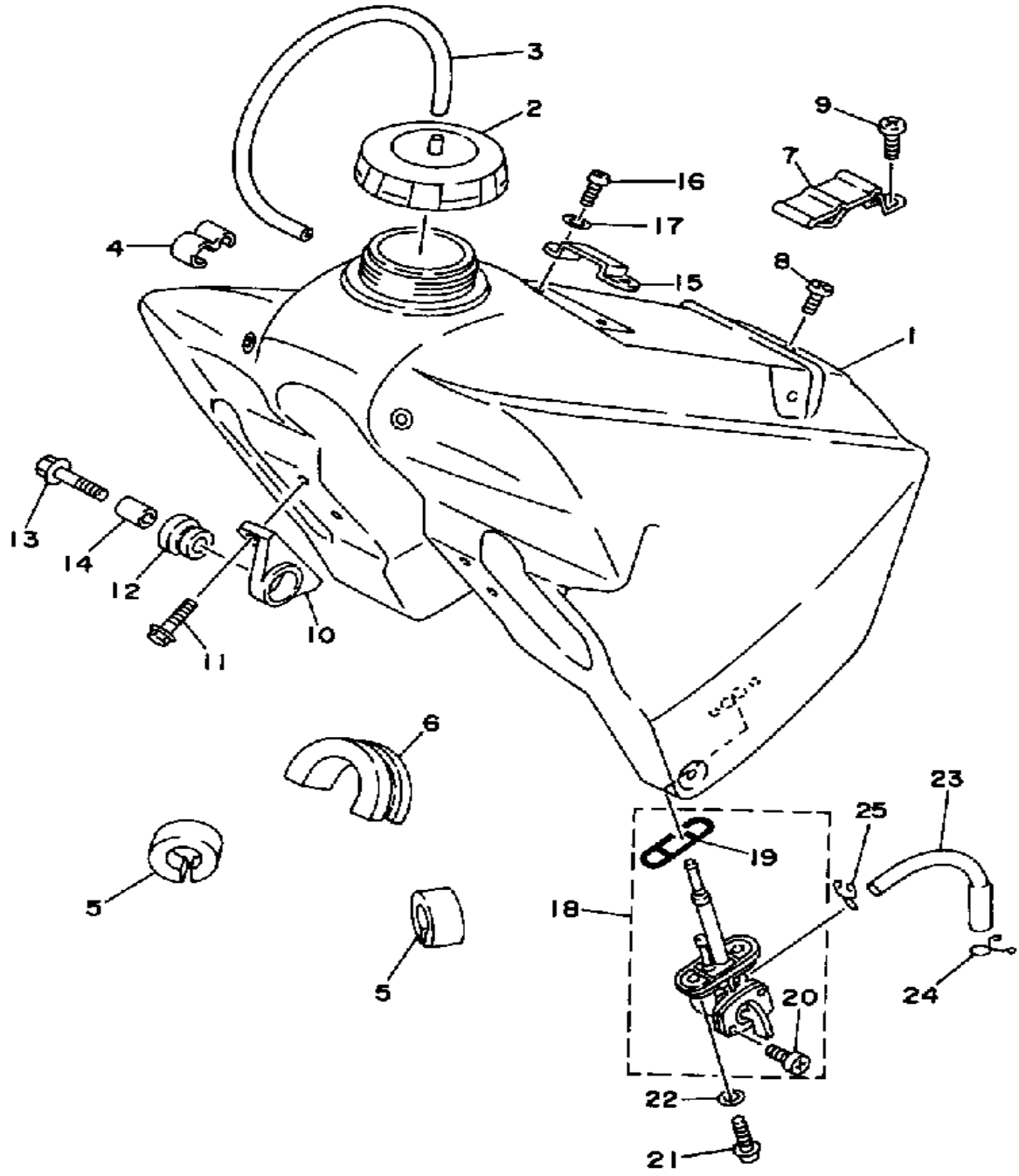
Ref. No.	Part Number	Description	Qty	Remarks
1	93332-00067-00	BEARING	1	
2	93332-00068-00	BEARING	1	
3	3XP-23416-00-00	COVER, BALL RACE 2	1	
4	3XP-23462-00-00	SEAL, STEERING	1	
5	90179-25614-00	NUT, SPEC'L SHAPE	1	
6	90202-26142-00	WASHER, PLATE	1	
7	90179-25615-00	NUT	1	
8	26H-23418-01-00	WASHER, SPECIAL	1	
9	4BF-23435-01-35	CROWN, HANDLE	1	SILVER
10	90176-22050-00	NUT, CROWN	1	
11	95026-08040-00	BOLT, FLANGE	4	
12	3XP-23389-00-00	GUIDE, CABLE	1	
13	4BF-23174-00-00	STAY, HEADLIGHT	1	
14	95023-06012-00	BOLT, FLANGE	2	
15	95811-06012-00	BOLT, FLANGE	1	
16	90480-12053-00	GROMMET	2	
17	1E6-23441-10-35	HOLDER, HANDLE UPPER ...	2	SILVER
18	95023-08035-00	BOLT, FLANGE	4	
19	3XP-23318-00-00	HOLDER, CABLE 1	1	
20	98580-05012-00	SCREW, PAN HEAD	1	

OIL TANK



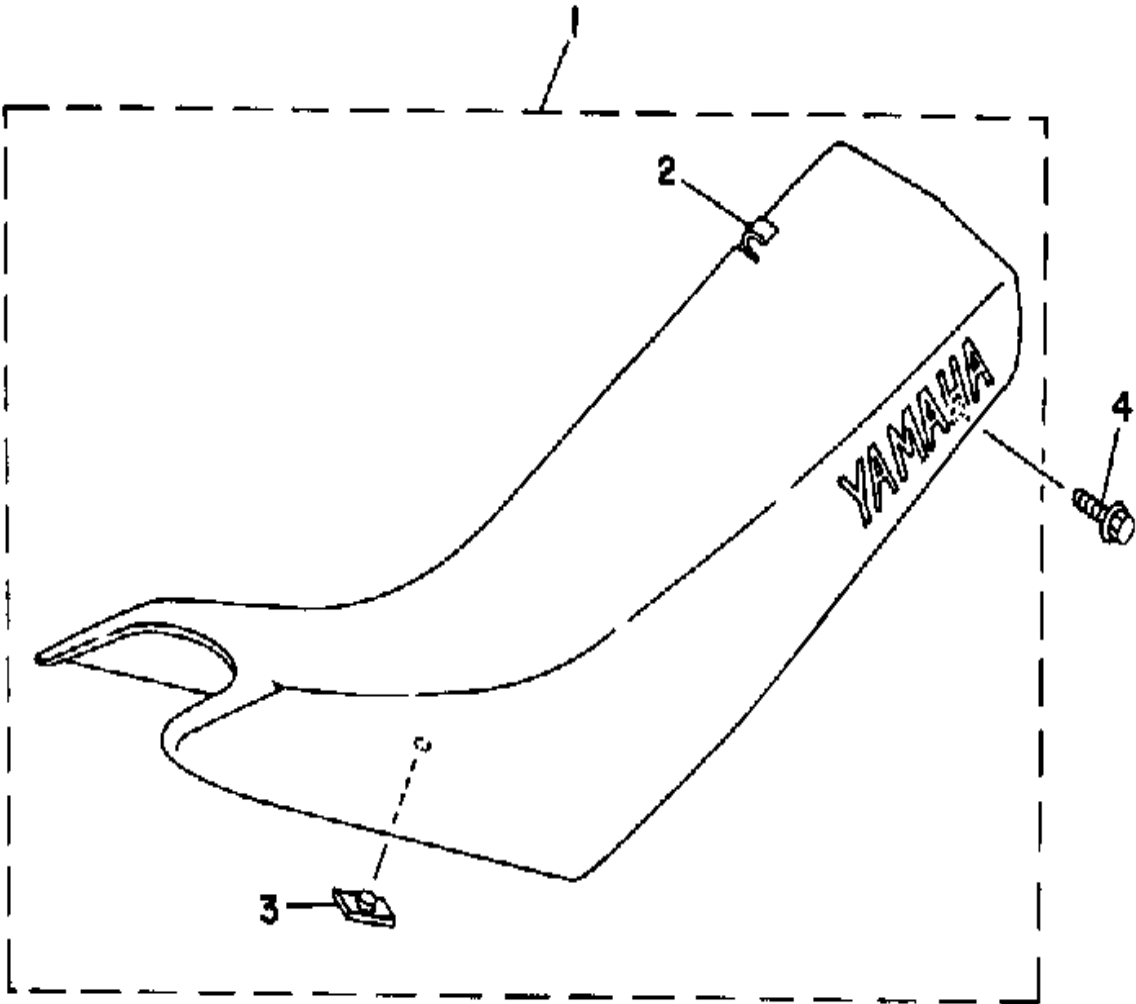
Ref. No.	Part Number	Description	Qty	Remarks
1	3XP-21871-00-00	TANK, RECOVERY	1	
2	90119-06205-00	BOLT, WITH WASHER	1	
3	90159-05183-00	SCREW, WITH WASHER	1	
4	1AA-21815-00-00	CAP (4L0-21875-00-00)	1	
5	3MA-2172N-00-00	BRACKET 4	1	
6	98506-06010-00	SCREW, PAN HEAD	1	
7	92906-06100-00	WASHER, SPRING	1	
8	3XP-25895-50-00	HOSE, RESERVOIR	1	
9	90467-08003-00	CLIP	2	
10	3XP-2589E-00-00	HOSE	1	
11	26H-21828-00-00	ELBOW	1	
12	90445-094F0-00	HOSE (2NL)	1	
13	341-26397-01-00	BAND	1	
14	90467-08003-00	CLIP	1	

FUEL TANK



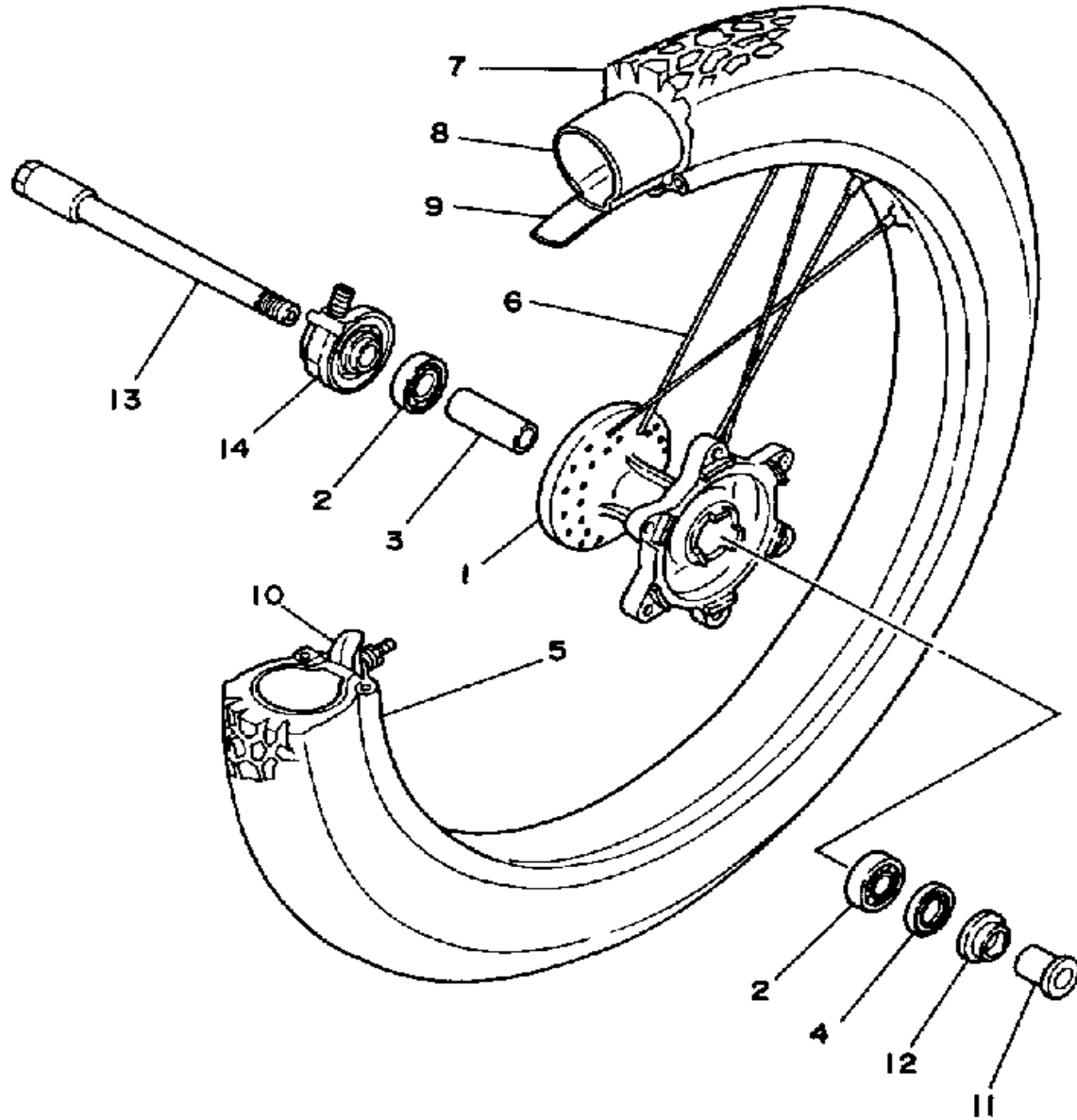
Ref. No.	Part Number	Description	Qty	Remarks
1	4BF-24110-00-00	FUEL TANK	1	
2	1UY-24610-00-00	CAP ASSEMBLY	1	
3	90445-09304-00	HOSE	1	
4	90468-15064-00	CLIP	1	
5	3XJ-21717-00-00	DAMPER, SIDE COVER	2	
6	1LX-24181-00-00	DAMPER, LOCATING 1	1	
7	4BF-24173-00-00	BAND, TNK FITTING 1	1	
8	98980-06020-00	SCREW, BIND	1	
9	90149-06165-00	SCREW, SPEC'L SHAPE	1	
10	24X-24144-00-00	HOLDER, DAMPER	2	
11	95021-06014-00	BOLT, FLANGE	4	
12	90480-18354-00	GROMMET	2	
13	90119-06206-00	BOLT, WITH WASHER	2	
14	90387-06387-00	COLLAR	2	
15	5X6-2412F-00-00	BRACKET, SEAT	1	
16	98580-06012-00	SCREW, PAN HEAD	2	
17	92995-06100-00	WASHER, SPRING	2	
18	3BN-24500-00-00	FUEL COCK ASSEMBLY 1	1	
19	4X8-24512-00-00	O-RING	1	
20	98580-03008-00	SCREW, PAN HEAD	2	
21	90149-06011-00	SCREW	2	
22	90202-05187-00	WASHER, PLATE	2	
23	3XP-24311-00-00	PIPE, FUEL 1	1	
24	90467-10008-00	CLIP	1	
25	90467-08003-00	CLIP	1	

SEAT



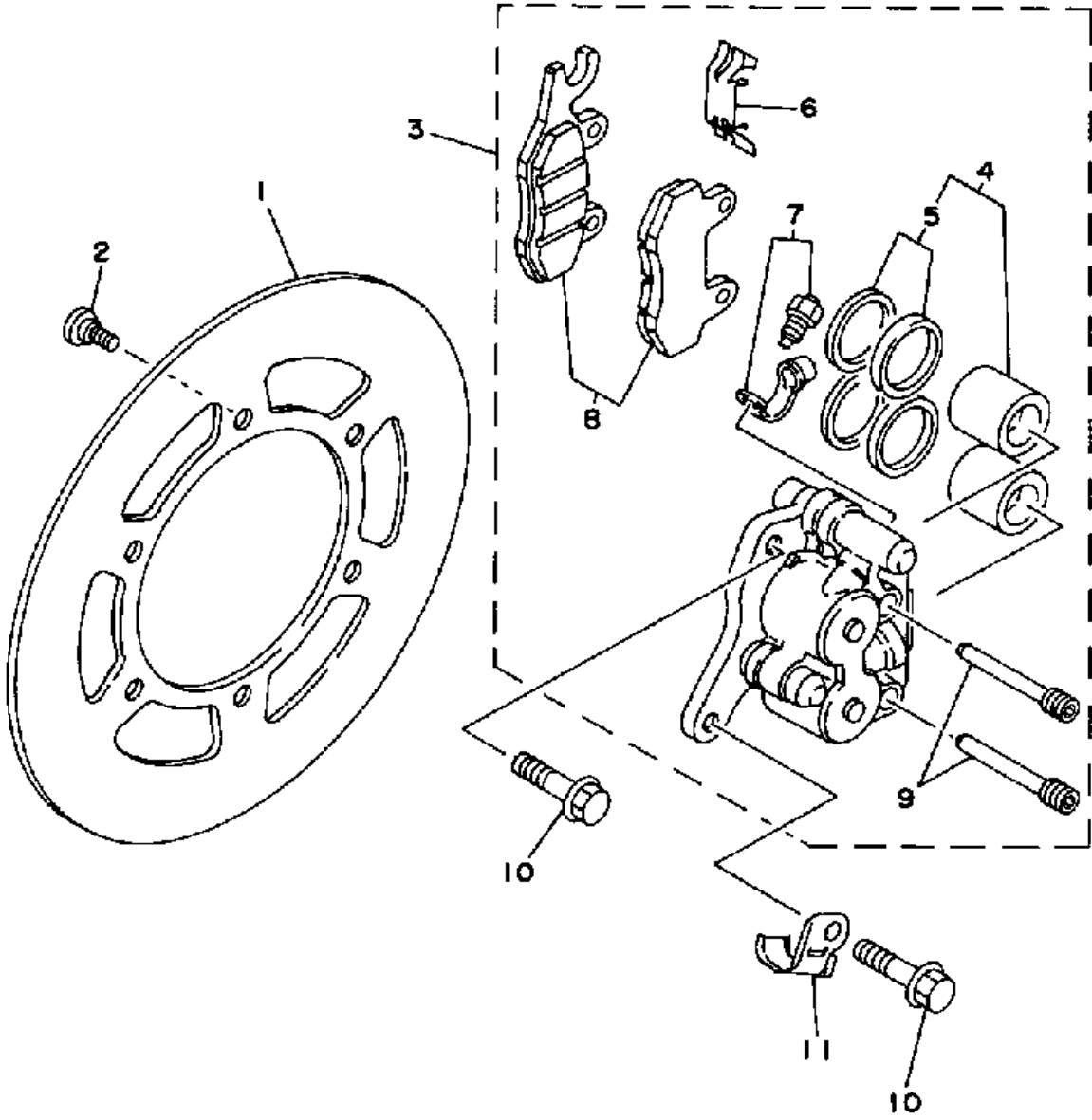
Ref. No.	Part Number	Description	Qty	Remarks
1	4BF-24770-00-00	SEMI-DBL SEAT ASSEMBLY ..	1	
2	4BF-24731-00-00	. COVER, DOUBLE SEAT	1	
3	509-24724-00-00	. DAMPER, SEAT	2	
4	90119-06043-00	BOLT, WITH WASHER	2	

FRONT WHEEL



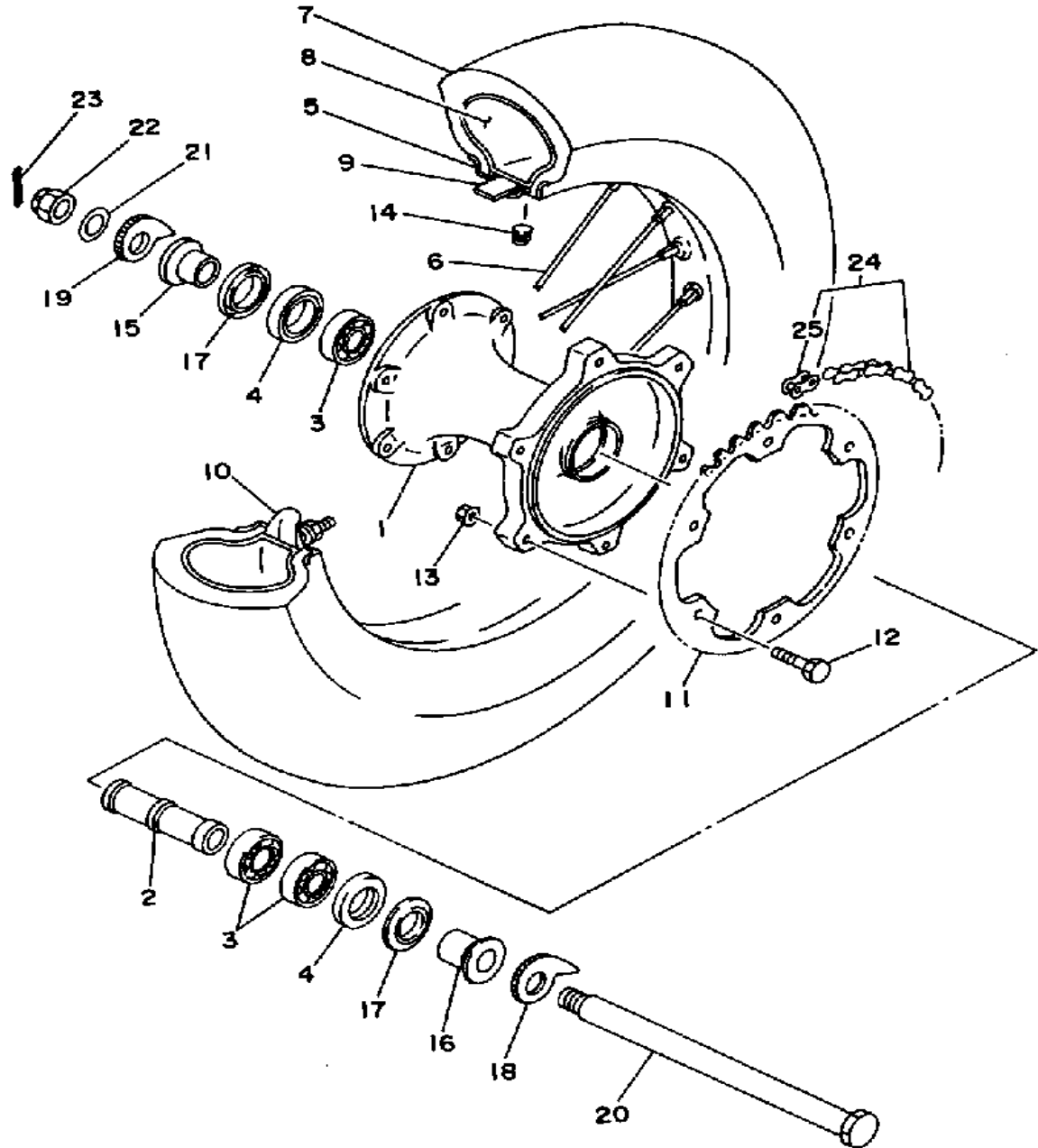
Ref. No.	Part Number	Description	Qty	Remarks
1	3XP-25111-00-35	HUB, FRONT	1	SILVER
2	93306-20209-00	BEARING (B6202)	2	
3	90560-15290-00	SPACER	1	
4	93102-20281-00	OIL SEAL (SD 20-35-5)	1	
5	94416-21430-00	RIM (1.60-21)	1	
6	55U-25104-00-00	SPOKE SET, FRONT	1	
7	94108-217X2-00	TIRE (80/100-21 K490)	1	DUNLOP
8	94227-21123-00	TUBE (2.75-21)	1	BRIDGESTONE
9	94307-21145-00	BAND, RIM (70-80/100-21)	1	DUNLOP
10	5X2-25394-00-00	SPACER, BEAD	1	
11	90387-15600-00	COLLAR	1	
12	322-25118-00-00	COVER, HUB DUST	1	
13	55U-25181-01-00	AXLE, WHEEL	1	
14	3XP-25190-00-00	GEAR UNIT ASSEMBLY	1	

FRONT BRAKE CALIPER



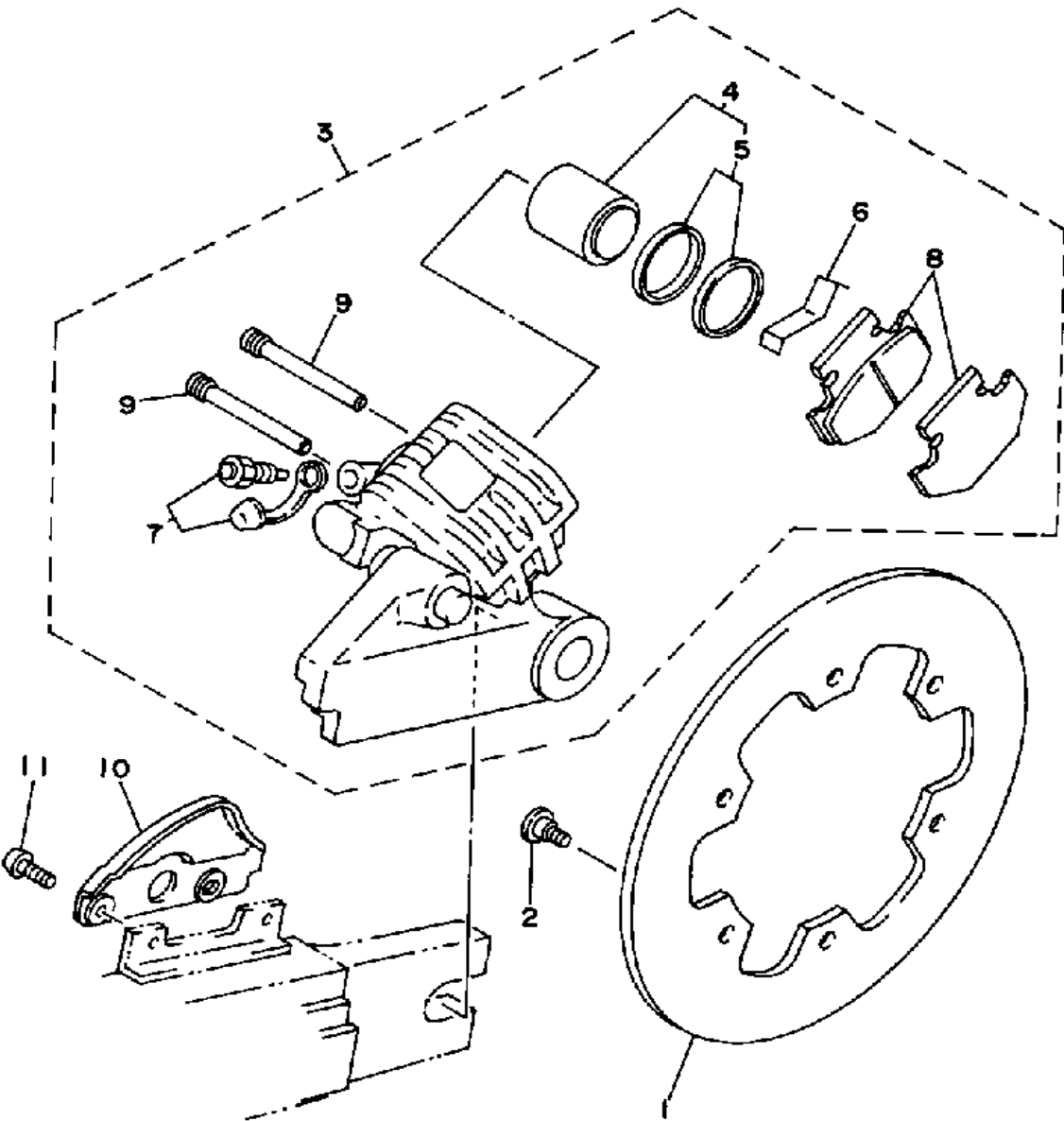
Ref. No.	Part Number	Description	Qty	Remarks
1	3XP-2582T-00-00	DISC, BRAKE	1	
2	90109-065F3-00	BOLT	6	
3	3XP-2580T-00-00	CALIPER ASSEMBLY LEFT ...	1	
4	3JD-W0057-00-00	. PISTON ASSEMBLY, CALIPER	1	
5	3JD-W0047-00-00	.. CALIPER SEAL KIT	1	
6	3SP-25919-00-00	. SUPPORT, PAD	1	
7	36Y-W0048-00-00	. BLEED SCREW KIT	1	
8	3XP-W0045-00-00	. BRAKE PAD/KIT	1	
9	3GD-25933-00-00	. PIN, PAD	2	
10	90105-08659-00	BOLT, WASHER BASED	2	
11	3XP-25875-00-00	HOLDER, BRKE HOSE 1	1	

REAR WHEEL



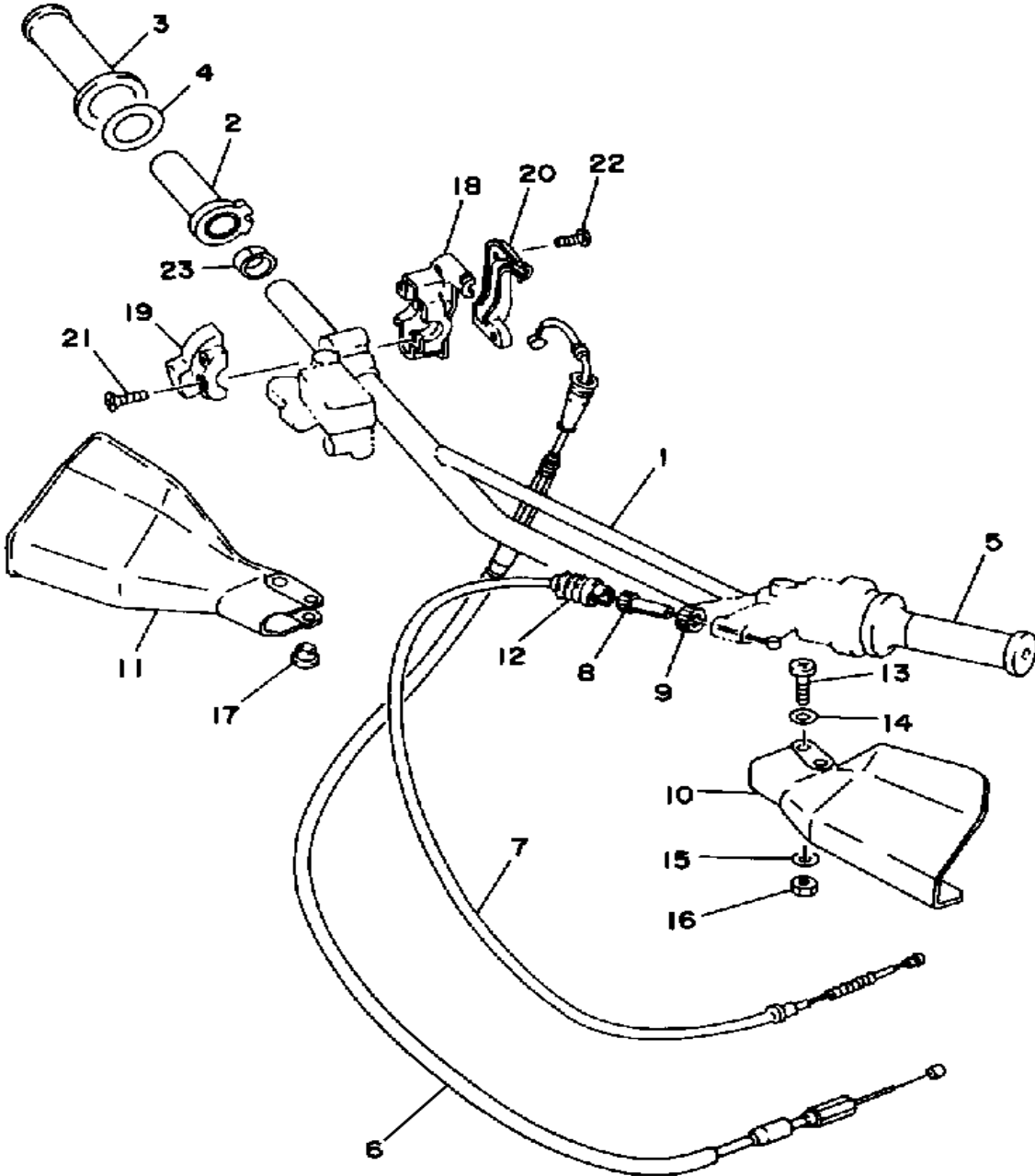
Ref. No.	Part Number	Description	Qty	Remarks
1	3XP-25311-00-35	HUB, REAR	1	SILVER
2	90560-20278-00	SPACER, BEARING (4EW-25317-00-00)	1	
3	93306-00438-00	BEARING	3	
4	93106-28023-00	OIL SEAL	2	
5	94418-18452-00	RIM 1.5	1	
6	2VN-25304-00-00	SPOKE SET, REAR	1	
7	94110-180Y2-00	100/100-18 59MK6 5	1	DUNLOP
8	94211-18176-00	TUBE 110/90- 8	1	DUNLOP
9	94309-18146-00	BAND, RIM (110/100-18)	1	DUNLOP
10	2X3-25394-00-00	SPACER, BEAD	1	
11	2YY-25452-00-00	SPROCKET, DRIVN 52T	1	
12	90109-08618-00	BOLT	6	
13	90185-08146-00	NUT, SELF-LOCKING	6	
14	90480-10068-00	GROMMET	1	
15	90387-202U8-00	COLLAR (2VM)	1	
16	90387-206X8-00	COLLAR	1	
17	3GB-25367-00-00	COVER, HUB DUST	2	
18	3BN-25388-00-00	PULLER, CHAIN 1	1	
19	3BN-25389-00-00	PULLER, CHAIN 2	1	
20	3XP-25381-00-00	AXLE, WHEEL	1	
21	90201-204M9-00	WASHER, PLATE	1	
22	95301-18900-00	NUT	1	
23	91401-30030-00	PIN, COTTER	1	
24	94581-47116-00	CHAIN (4BF)	1	
25	94681-47011-00	. JOINT, CHAIN (4BF)	1	

REAR BRAKE CALIPER



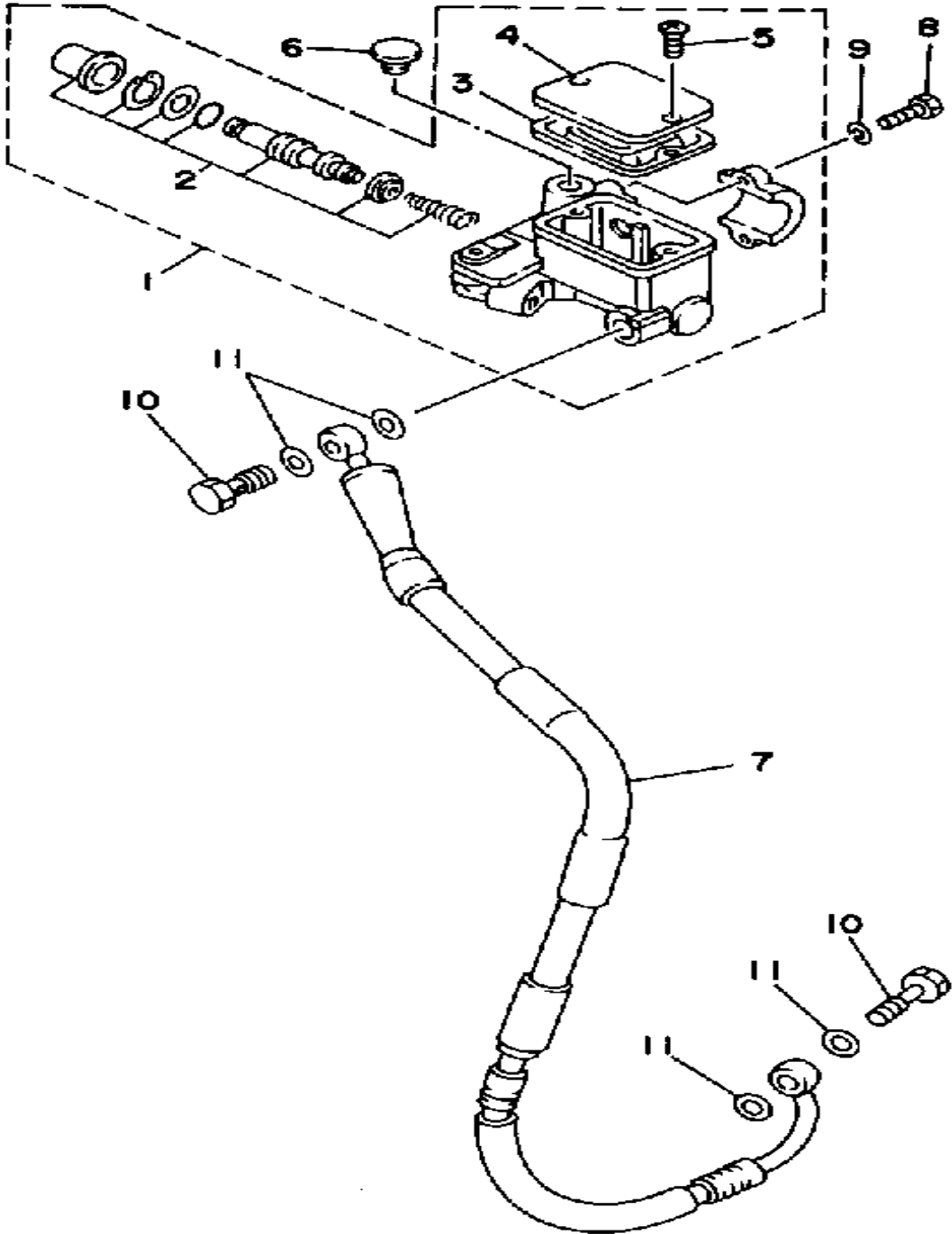
Ref. No.	Part Number	Description	Qty	Remarks
1	3XP-2582W-00-00	DISC, REAR BRAKE	1	
2	90109-065F3-00	BOLT	6	
3	3XP-2580W-00-00	CALIPER ASSEMBLY REA 2	1	
4	3SP-W0057-50-00	. PISTON ASSEMBLY, CALIPER	1	
5	3JD-W0047-50-00	.. CALIPER SEAL KIT	1	
6	3SP-25919-51-00	. SUPPORT, PAD	1	
7	36Y-W0048-00-00	. BLEED SCREW KIT	1	
8	3XP-W0046-00-00	. BRAKE PAD/KIT	1	
9	3SP-25924-51-00	. PIN, PAD	2	
10	3JD-27491-00-00	PROTECTOR	1	
11	92011-06012-00	SCREW (92016-06012-00)	2	

HANDLEBAR-CABLE



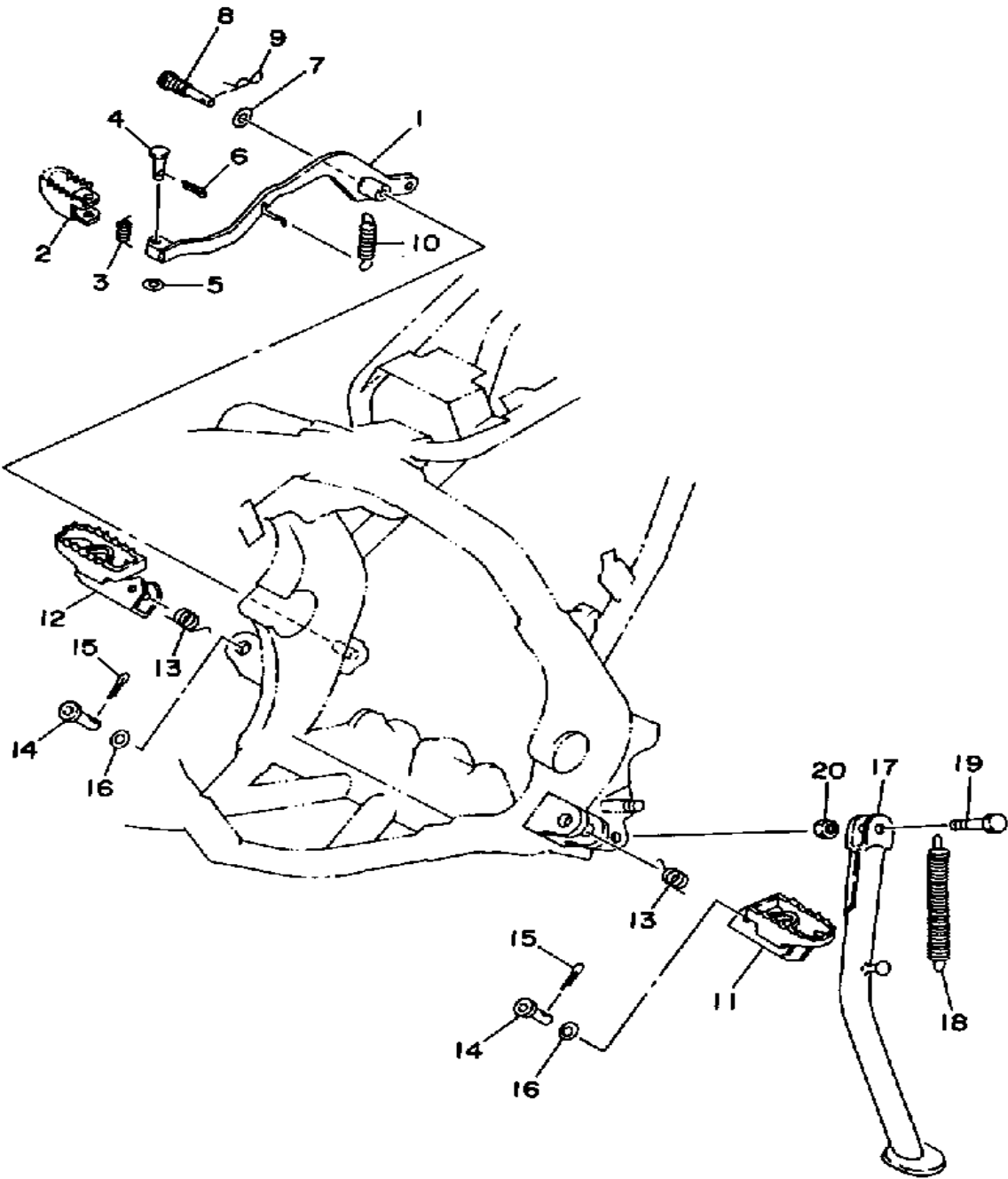
Ref. No.	Part Number	Description	Qty	Remarks
1	3XJ-26111-00-00	HANDLEBAR	1	
2	322-26243-00-00	TUBE, throttle guide	1	
3	1LX-26242-01-00	GRIP (RIGHT)	1	
4	1M1-26249-01-00	RING, LEAF	1	
5	1LX-26241-01-00	GRIP (LEFT)	1	
6	4BF-26311-00-00	CABLE, THROTTLE 1	1	
7	3XP-26335-00-00	CABLE, CLUTCH	1	
8	90123-08046-00	BOLT	1	
9	90179-08148-00	NUT	1	
10	3BN-26141-20-00	GUARD, BRUSH 1 (PURPLISH WHITE SOLID 1) ..	1	
11	3BN-26142-20-00	GUARD, BRUSH 2 (PURPLISH WHITE SOLID 1) ..	1	
12	1E6-26342-00-00	BOOT, CABLE	1	
13	98580-06035-00	SCREW, PAN HEAD	1	
14	92901-06600-00	WASHER	1	
15	92901-06600-00	WASHER	1	
16	95601-06100-00	NUT, U	1	
17	90387-06500-00	COLLAR	1	
18	5X2-26281-00-00	CAP, GRIP UPPER	1	
19	322-26282-00-00	CAP, GRIP LOWER	1	
20	5X2-2628H-01-00	CAP, WIRE	1	
21	98706-04012-00	SCREW, FLAT HEAD	2	
22	98586-05016-00	SCREW, PAN HEAD	2	
23	90387-22660-00	COLLAR	1	

FRONT MASTER CYLINDER



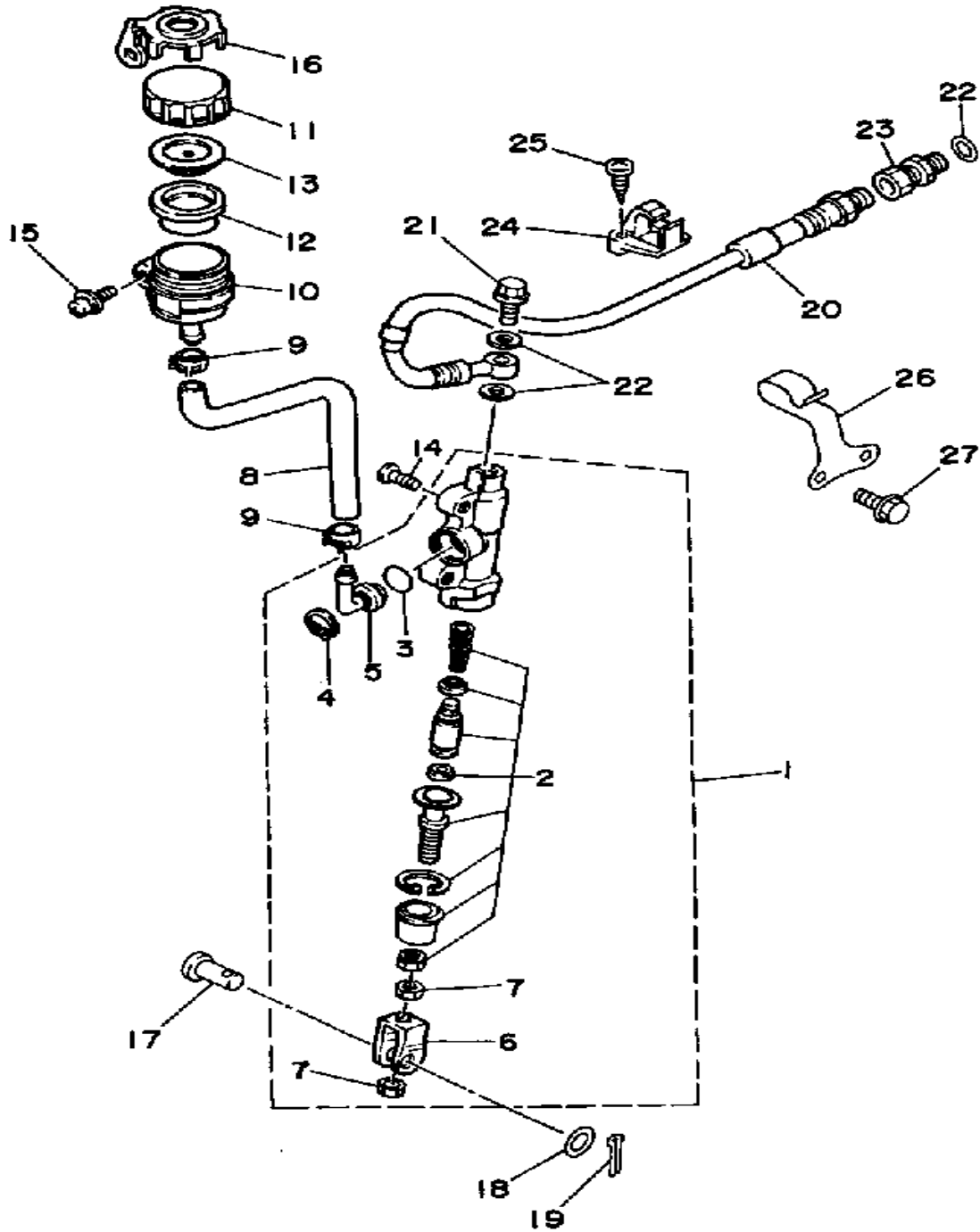
Ref. No.	Part Number	Description	Qty	Remarks
1	3XP-2583T-00-00	MSTR CYLINDER ASSEMBLY	1	
2	3XP-W0041-00-00	. CYLINDER KIT, MASTER (59X-W0041-00-00)	1	
3	55U-25854-00-00	. DIAPHRAGM, RESERVOIR	1	
4	2KF-25852-01-00	. CAP, RESERVOIR	1	
5	98706-04012-00	. SCREW, FLAT HEAD	2	
6	90338-09012-00	PLUG	1	
7	4BF-25872-00-00	HOSE, BRAKE 1	1	
8	97016-06025-00	BOLT	2	
9	92906-06100-00	WASHER, SPRING	2	
10	90401-10034-00	BOLT, UNION	2	
11	90201-10118-00	WASHER, PLATE	4	

STAND-FOOTREST

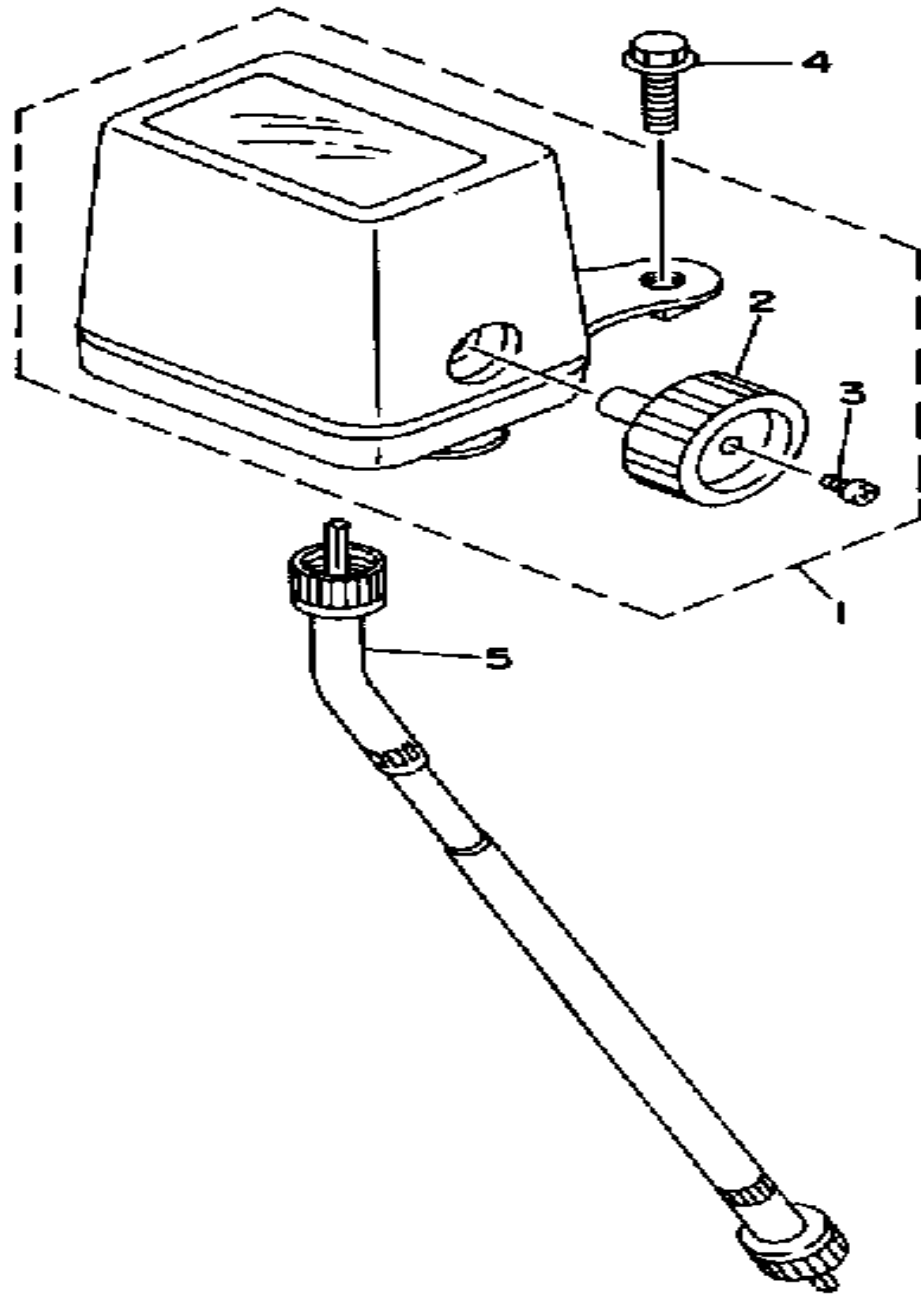


Ref. No.	Part Number	Description	Qty	Remarks
1	3XP-27211-00-00	PEDAL, BRAKE	1	
2	3XP-27242-00-00	PEDAL, BRAKE	1	
3	90508-14352-00	SPRING, TORSION	1	
4	91701-06022-00	PIN, CLEVIS	1	
5	92901-06600-00	WASHER	1	
6	91490-20020-00	PIN, COTTER	1	
7	90201-086P8-00	WASHER, PLATE	1	
8	90149-08231-00	SCREW	1	
9	90468-10050-00	CLIP	1	
10	90506-14453-00	SPRING, TENSION	1	
11	3SP-27411-00-00	FOOTREST 1	1	
12	3SP-27421-00-00	FOOTREST 2	1	
13	90508-28777-00	SPRING, TORSION	2	
14	90240-10117-00	PIN, CLEVIS	2	
15	91401-25020-00	PIN, COTTER	2	
16	90201-10119-00	WASHER, PLATE	2	
17	3XP-27311-02-00	STAND, SIDE	1	SILVER
18	90506-35474-00	SPRING, TENSION	1	
19	90109-10474-00	BOLT	1	
20	90185-10037-00	NUT, SELF-LOCKING	1	

REAR MASTER CYLINDER



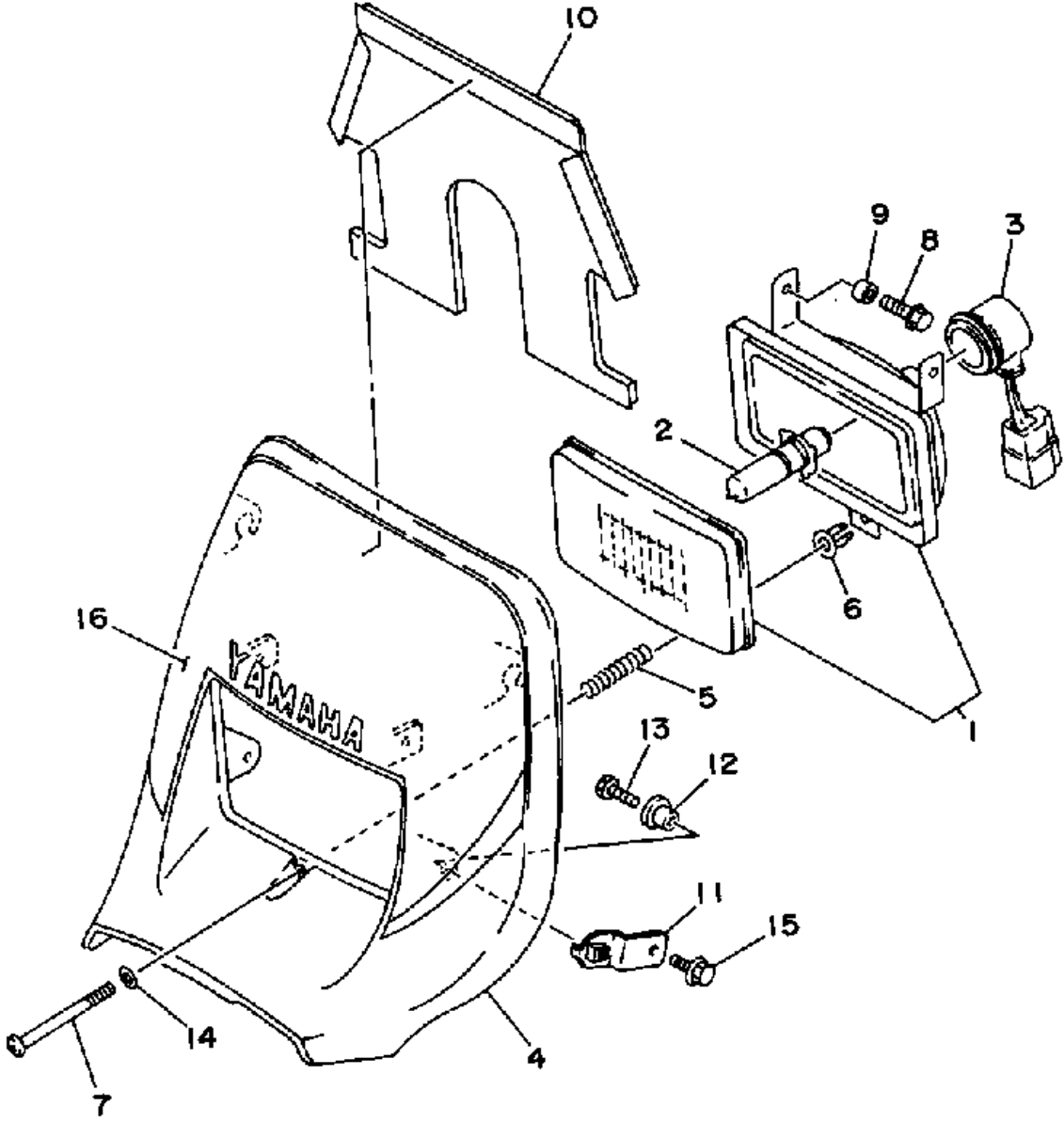
Ref. No.	Part Number	Description	Qty	Remarks
1	3XP-2583V-00-00	RR MSTR CYLINDER	1	
2	3BN-W0042-50-00	. CYLINDER KIT, MASTER	1	
3	93210-15620-00	. O-RING	1	
4	2VN-25866-00-00	. CIRCLIP	1	
5	2VN-2582A-50-00	. JOINT	1	
6	2YK-27222-00-00	. JOINT	1	
7	95333-08600-00	. NUT	2	
8	3XP-25895-00-00	HOSE, RESERVOIR	1	
9	90467-11044-00	CLIP	2	
10	2VN-25894-00-00	TANK, RESERVOIR	1	
11	3XP-25852-50-00	CAP, RESERVOIR	1	
12	2VN-25854-00-00	DIAPHRAGM, RESERVOIR	1	
13	2VN-25855-00-00	BUSH, DIAPHRAGM	1	
14	92011-08016-00	SCREW (1FK)	2	
15	90159-06056-00	SCREW, WITH WASHER	1	
16	3ET-25888-00-00	COVER, RESVR TANK	1	
17	90240-08124-00	PIN, CLEVIS	1	
18	90201-08083-00	WASHER, PLATE	1	
19	91490-16020-00	PIN, COTTER	1	
20	3XP-25873-01-00	HOSE, BRAKE	1	
21	90401-10034-00	BOLT, UNION	1	
22	90201-10118-00	WASHER, PLATE	3	
23	3LC-25885-00-00	JOINT	1	
24	3BN-25876-00-00	HOLDER, BRKE HOSE 2	1	
25	90149-059U1-00	SCREW, PANHEAD (97701-50516)	2	
26	90462-12195-00	CLAMP	1	
27	95023-06008-00	BOLT	2	



METER

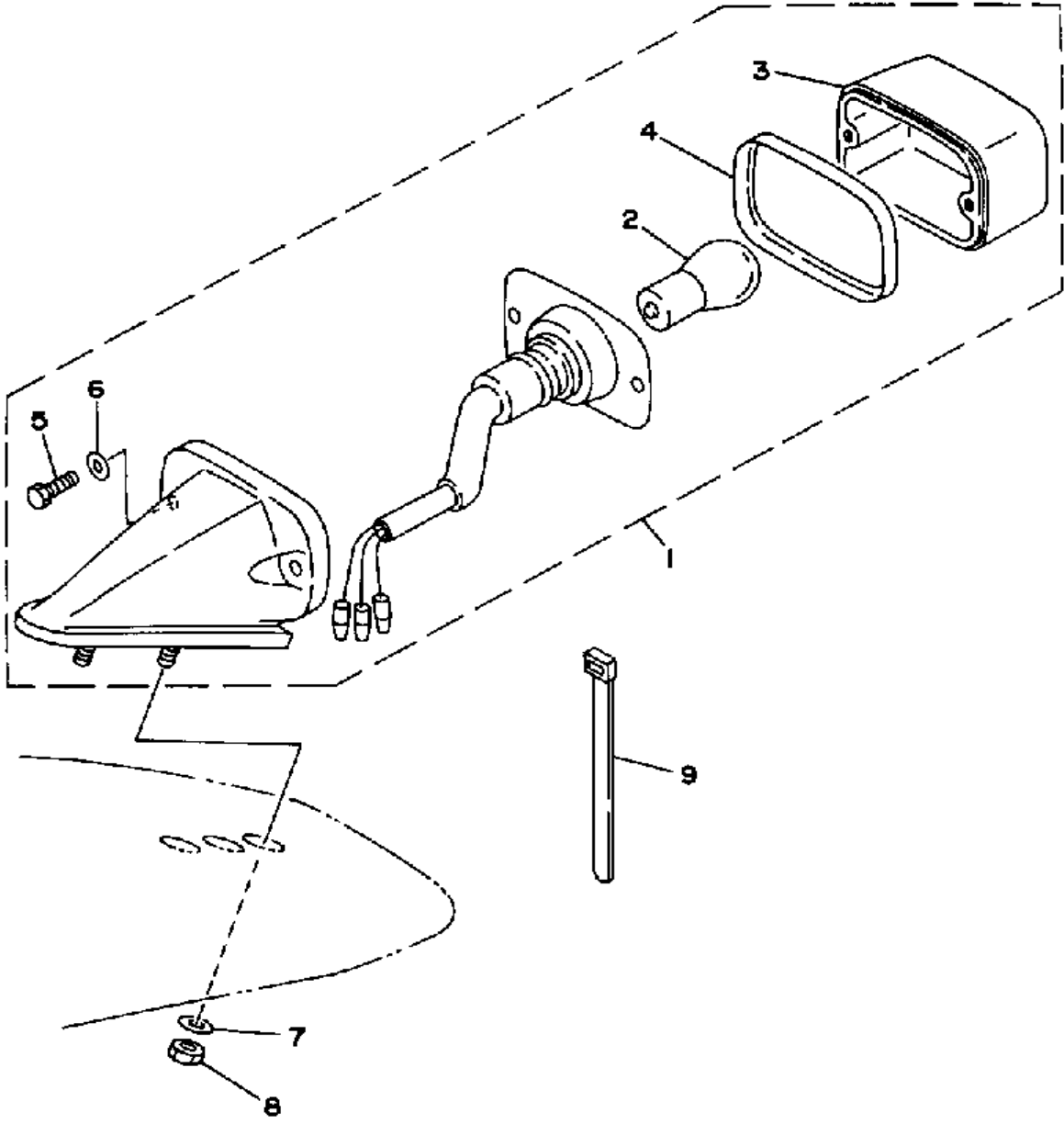
Ref. No.	Part Number	Description	Qty	Remarks
1	4BF-83500-00-00	SPEEDOMETER ASSEMBLY ..	1	UR
2	3R8-83578-00-00	. KNOB, TRIP METER	1	
3	90157-02031-00	. SCREW, PAN HEAD	1	
4	95811-06016-00	BOLT, FLANGE (95822-06016) .	2	
5	3XP-83550-00-00	SPEEDOMETER CABLE	1	

HEADLIGHT



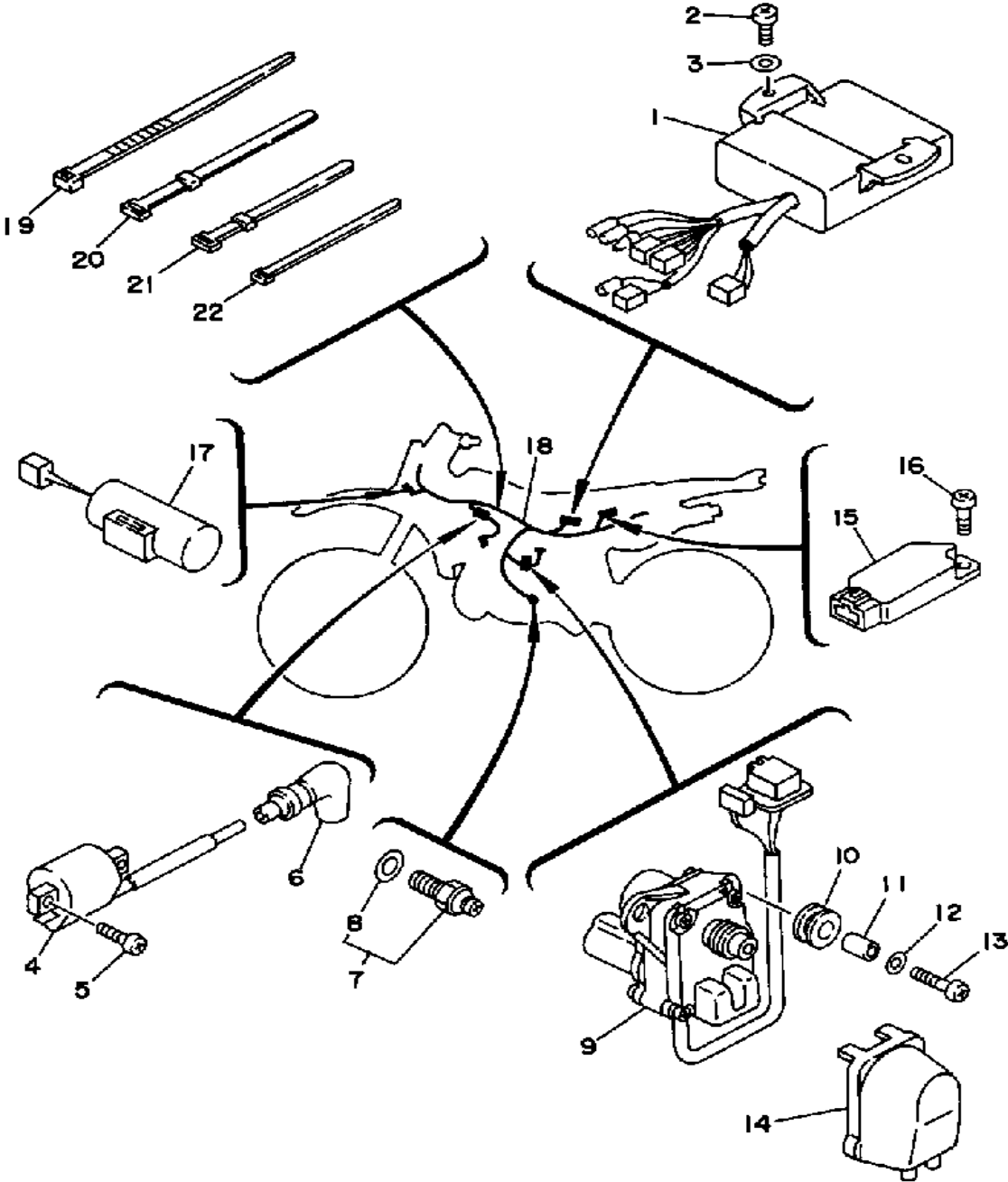
Ref. No.	Part Number	Description	Qty	Remarks
1	3XP-84320-00-00	LENS ASSEMBLY	1	
2	3FW-84314-00-00	BULB, HEADLIGHT	1	
3	3FW-84340-00-00	SOCKET CORD ASSEMBLY 1	1	
4	3XP-84311-00-00	BODY, HEADLIGHT	1	
5	55U-84332-00-00	SPRING, SCREW	1	
6	50W-84334-00-00	NUT, ADJUSTING	1	
7	849-84724-00-00	SCREW, LENS FITTING	1	
8	55U-84337-00-00	BOLT, SPECIAL	2	
9	55U-84328-00-00	SPACER	2	
10	3XP-84196-00-00	COVER SOCKET	1	
11	3XP-84118-00-00	STAY, HEADLIGHT 1	2	
12	3XP-84145-00-00	COLLAR, BODY FITING	2	
13	97016-06016-00	BOLT	2	
14	92901-04600-00	WASHER, PLATE	1	
15	95816-06012-00	BOLT, FLANGE	2	
16	3XP-84141-11-00	EMBLEM, HEADLIGHT	1	

TAILLIGHT



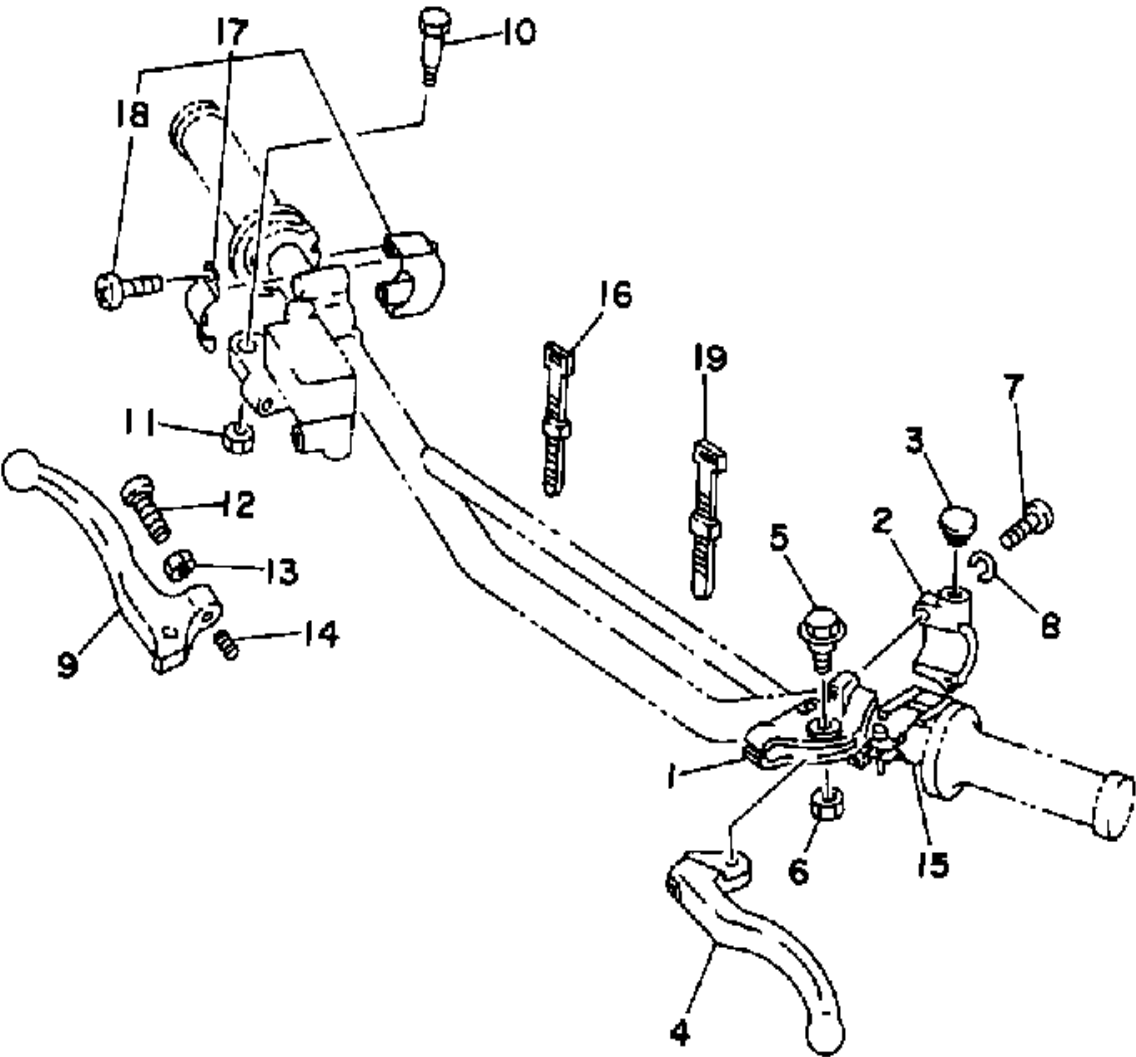
Ref. No.	Part Number	Description	Qty	Remarks
1	4BF-84700-00-00	TAILLIGHT ASSEMBLY	1	
2	27V-84714-00-00	. BULB (12V-21/5W)	1	
3	434-84521-69-00	. LENS, TAILLIGHT	1	
4	434-84515-61-00	. RIM, TAILLIGHT	1	
5	434-84552-62-00	. BOLT, FITTING	2	
6	434-84522-62-00	. WASHER	2	
7	92901-05600-00	WASHER, PLATE	2	
8	95601-05100-00	NUT, U	2	
9	1UA-82591-00-00	BAND	1	

ELECTRICAL 1



Ref. No.	Part Number	Description	Qty	Remarks
1	4BF-85540-00-00	CDI UNIT ASSEMBLY	1	
2	98502-06016-00	SCREW, PAN HEAD (98501-06014-00)	2	
3	92990-06600-00	WASHER, PLATE	2	
4	3XP-82310-00-00	IGNITION COIL ASSEMBLY ...	1	
5	97011-06016-00	BOLT	2	
6	81E-82370-20-00	PLUG CAP ASSEMBLY	1	
7	2H7-82540-00-00	NEUTRAL SWITCH ASSEMBLY	1	
8	341-82543-00-00	. GASKET	1	
9	3XP-85820-00-00	SERVOMOTOR ASSEMBLY ...	1	
10	90480-14023-00	GROMMET	2	
11	90387-06553-00	COLLAR	2	
12	90201-06067-00	WASHER, PLATE	2	
13	98511-06025-00	SCREW PAN HEAD (92501-06025)	2	
14	34X-85825-00-00	COVER, WIRE	1	
15	1JK-81960-A1-00	RECTIFIER & REGULATOR ASSEMBLY	1	
16	98511-06012-00	SCREW, PAN HEAD	2	
17	1NL-81965-00-00	CONDENSER, SMOOTHING ...	1	
18	4BF-82590-00-00	WIRE HARNESS ASSEMBLY ..	1	
19	12R-82591-00-00	BAND	2	
20	437-83936-11-00	BAND, SWITCH CORD	2	
21	437-83936-11-00	BAND, SWITCH CORD	1	
22	341-26397-01-00	BAND	1	

HANDLE SWITCH-LEVER



Ref. No.	Part Number	Description	Qty	Remarks
1	1LN-82911-00-00	HOLDER, LEVER 1	1	
2	33G-82913-00-00	HOLDER, LEVER LOWER 1	1	
3	90338-09012-00	PLUG	1	
4	23X-83912-00-00	LEVER 1	1	
5	90109-06799-00	BOLT	1	
6	95616-06100-00	NUT, U	1	
7	98506-05020-00	SCREW, PAN HEAD	2	
8	92906-05100-00	WASHER, SPRING	2	
9	3JD-83922-00-00	LEVER RH	1	
10	90109-062A8-00	BOLT	1	
11	95616-06100-00	NUT, U	1	
12	90149-06131-00	SCREW	1	
13	90170-06355-00	NUT	1	
14	90501-10312-00	SPRING, COMPRESSION	1	
15	23X-83976-00-00	SWITCH, HANDLE 1	1	
16	437-83936-01-00	BAND, SWITCH CORD	2	
17	4BF-83976-00-00	SWITCH, HANDLE 1	1	
18	98506-04012-00	SCREW, PAN HEAD	2	
19	437-83936-01-00	BAND, SWITCH CORD	2	

WR200RD

1992 SERVICE DATA

Effective 6/26/91, this Technical Service Data replaces all previously issued Technical Service Data. Remove and destroy all previous data. ► Denotes a change in the previous Technical Service Data.

MODEL / PREFIX	WR200RD / 4BF
INITIAL ENGINE NUMBER / FRAME NUMBER	4BF-000101 / JYA4BFW0()NA000101
ENGINE:	Liquid-Cooled, Two-Stroke Single
Bore / Stroke / Number Cylinders / Displacement	66.8mm / 57mm / 1 / 199.7cc
Piston Skirt Clearance New/Max.	0.055~0.066mm/0.1mm
Valve Clearance (Cold): Intake / Exhaust	φ
Oil Type: Above 5°C (40°F)	Premix (24:1 w/Yamalube R —
Oil Type: Below 15°C (60°F)	(20:1 with other brands)
Capacity: Oil and Filter Change / Oil Change Only	φ
Oil Filter Part Number	φ
TRANSMISSION:	
Oil Type/Capacity/Drive Chain Free Play	Yamalube 4* or GL Gear Oil/0.75 L (0.8 qt)/15~20mm
MIDDLE GEAR CASE: Oil Type / Capacity	φ
FINAL GEAR CASE: Oil or Grease Type/Capacity	φ
FUEL TANK: Main / Reserve / Fuel Type	10 Lit (2.64 gal) / 2L (0.53 gal) / Unleaded Premium
COOLING SYSTEM: Coolant Type / Mixing Ratio (Liquid)	Ethylene Glycol-Water / 1:1
CARBURETOR:	
Manufacturer / Type / ID Number	Mikuni / TM30 / 4BF-00
Power Jet / Main Jet / Pilot Jet / Pilot Screw (Turns Out)	#75 / #210 / #35 / 1-1/2
Needle Jet / Jet Needle / Clip Position	N-8 / 6DHY40 / 3
Slide Cutaway	4.0
Float Height / Fuel Level	3.1 ±1mm / φ
Idle rpm	Rider's Preference
Max CO _e / Max HC _e / Set CO _e	φ
SUSPENSION:	
Front: Oil Type / Level / Quantity	Suspension Oil - 01* / 98mm / 468cc
Gas or Air Pressure Min ~ Max / Standard	φ / 0 kg/cm ² (0 psi)
Rear: Gas or Air Pressure Min ~ Max / Standard	7~15 kg/cm ² (99.5~213 psi)/10 kg/cm ² (142 psi)
TIRES: Size / Nominal Pressure: Front	80/100-21 51M / 1.0 kg/cm ² (14.2 psi)
Size / Nominal Pressure: Rear	100/100-18 59M / 1.0 kg/cm ² (14.2 psi)
CHARGING SYSTEM:	
Battery: Model / Specific Gravity / Charge Rate	φ
Maximum Output	φ
Field Coil Color Code / Ω	φ
Stator Coil Color Code / Ω	φ
Charge Coil Color Code / Ω	φ
IGNITION SYSTEM:	Capacitor Discharge
Ignition Timing	14° BTDC @ 1350 rpm
Spark Plug Type	NGK BR9ES
Spark Plug Gap / Torque / Cap Ω	0.7~0.8mm / 2.5m·kg (18 ft·lb) / 5KΩ
Ignition Coil Test Gap / Primary Ω / Secondary Ω	6mm / 0.7Ω ±20% / 7KΩ ±20%
Pulser Coil or Pickup Coil Color Code / Ω	Wht~Grn~Wht~Blk / 350Ω ±20%
Source Coil Color Code / Ω	Blk~Red~Grn~Wht / 240Ω ±20%

φ = Does not apply to this model
NA = Information not available

* = Available from YPAD
⊕ = For diagnostic use only

LIGHTING SYSTEM:	
Headlight / Taillight / Turn Signal	12V-35-36.5W / 12V5-18W / φ
Lighting Coil Color Code / Ω	Wht~Wht / 0.3Ω ±20%
TORQUE VALUES:	
Front Axle Nut	M14: 5.9m·kg (43 ft·lb)
Front Axle Holder Nut	M6: 1.0m·kg (7 ft·lb)
Rear Axle Nut	M18: 11.5m·kg (85 ft·lb)
Rear Axle Pinch Bolt	φ
Clutch Nut	M14: 8.0m·kg (58 ft·lb)
Drain Plug	M12: 2.0m·kg (14 ft·lb)
Flywheel Nut	M10: 3.8m·kg (27 ft·lb)
Cylinder Head Cover	φ
Cylinder Head: Nut	M8: 3.0m·kg (22 ft·lb)
Cylinder Head: Stud	M8: 1.3m·kg (9 ft·lb)
Engine Mounting Bolts:	M8 3.2m·kg (23 ft·lb)
Pivot Shaft	M16: 8.5m·kg (63 ft·lb)
Spark Plug	M14: 2.5m·kg (20 ft·lb)
OWNER'S LITERATURE:	
Owner's Service Manual	LIT-11626-07-88
Assembly Manual	LIT-11666-07-88

φ = Does not apply to this model
NA = Information not available

* = Available from YPAD
⊕ = For diagnostic use only

LIGHTING SYSTEM	
Headlight / Taillight / Turn Signal	12V-35-36.5W / 12V5-18W / ϕ
Lighting Coil Color Code / Ω	Wht~Wht / 0.3 Ω \pm 20%
TORQUE VALUES	
Front Axle Nut	M14: 5.9m·kg (43 ft·lb)
Front Axle Holder Nut	M6: 1.0m·kg (7 ft·lb)
Rear Axle Nut	M18: 11.5m·kg (85 ft·lb)
Rear Axle Pinch Bolt	ϕ
Clutch Nut	M14: 8.0m·kg (58 ft·lb)
Drain Plug	M12: 2.0m·kg (14 ft·lb)
Flywheel Nut	M10: 3.8m·kg (27 ft·lb)
Cylinder Head Cover	ϕ
Cylinder Head: Nut	M8: 3.0m·kg (22 ft·lb)
Cylinder Head: Stud	M8: 1.3m·kg (9 ft·lb)
Engine Mounting Bolts:	M8 3.2m·kg (23 ft·lb)
Pivot Shaft	M16: 8.5m·kg (63 ft·lb)
Spark Plug	M14: 2.5m·kg (20 ft·lb)
SERVICE LITERATURE	
Owner's Service Manual	LIT-11626-07-88
Assembly Manual	LIT-11666-07-88

ϕ = Does not apply to this model
NA = Information not available

* = Available from YPAD
 \otimes = For diagnostic use only